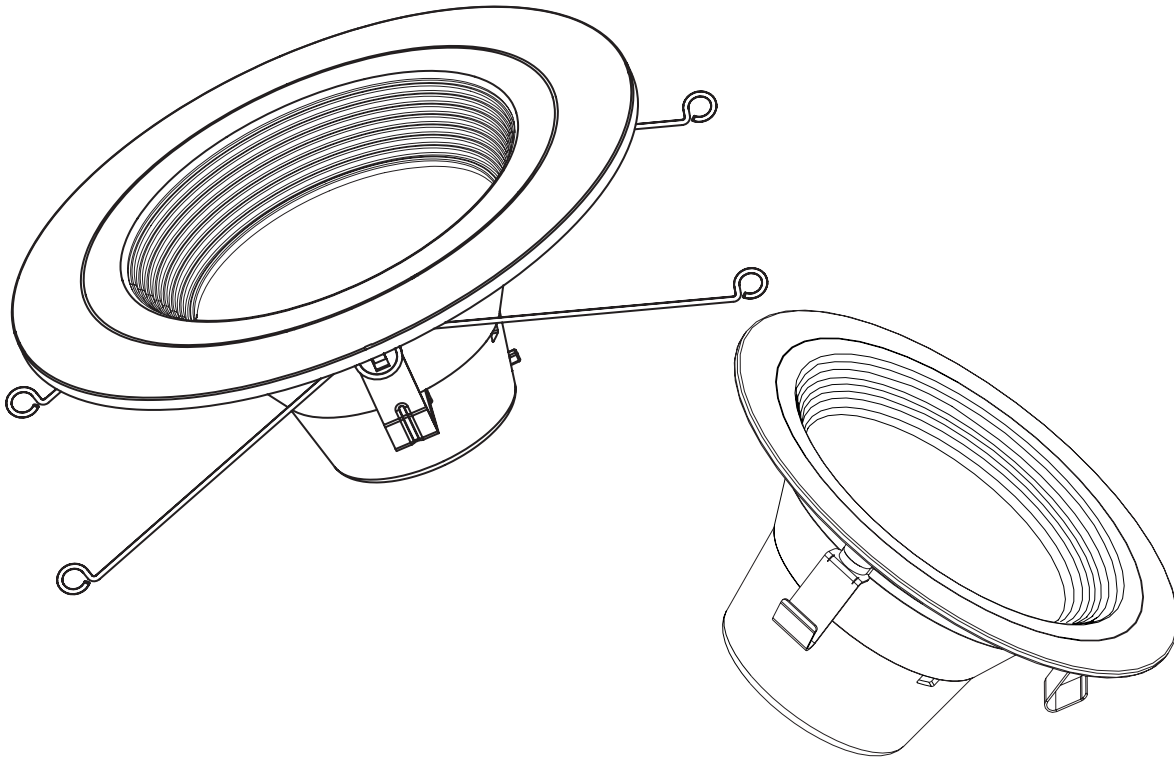


## USE AND CARE GUIDE

---

### 5 IN./6 IN. RECESSED RETROFIT LED DOWNLIGHT 4 IN. RECESSED RETROFIT LED DOWNLIGHT



Questions, problems, missing parts?  
Call ETi SSL Customer Service  
9 a.m. – 5 p.m., EST, Monday - Friday  
1-855-ETI-SSLI (1-855-384-7754)

[www.ETiSSL.com](http://www.ETiSSL.com)



---

#### THANK YOU

*We appreciate the trust and confidence you have placed in ETi through the purchase of this LED light. We strive to continually create quality products designed to enhance your home. Visit us online to see our full line of products available for your home improvement needs.*


*Thank you for choosing ETi!*


# Table of Contents


Table of Contents ..... 2  
Safety Information ..... 2  
Warranty ..... 3  
Pre-Installation ..... 3  
    Planning Installation ..... 3  
    Tools Required ..... 3  
    Package Contents ..... 4


Installation ..... 4  
Mount to 5 in./6 in. Housing with Ears ..... 5  
Mount to 5 in./6 in. Housing without Ears ..... 6  
Mount to 4 in. Housing ..... 8  
Adjusting the Color Temperature of the Light ..... 9  
Care and Cleaning ..... 9  
Troubleshooting ..... 9


# Safety Information


 **WARNING:** Carefully read and understand the information given in this manual before beginning the assembly and installation. Failure to do so could lead to electric shock, fire, or other injuries which could be hazardous or even fatal.

 **WARNING:** Ensure the electricity to the wires you are working on is shut off. Either remove the fuse or turn off the circuit breaker.

 **WARNING:** Risk of fire or electric shock. Installation of this LED Retrofit Kit assembly requires a person familiar with the construction and operation of the light fixture's/luminaire's electrical system and the hazard involved. If not qualified, do not attempt installation. Contact a qualified electrician.

 **WARNING:** Install this kit only in luminaires (light fixtures) that have the construction features and dimensions shown in the photographs and/or drawings included in these installation instructions, and where the input rating of the retrofit kit does not exceed the input rating of the luminaire.

 **WARNING:** Do not make or alter any open holes in an enclosure of wiring or electrical components during kit installation.

 **WARNING:** To prevent wiring damage or abrasion, do not expose wiring to edges of sheet metal or other sharp objects.

**NOTICE:** This equipment has been tested and found to comply with the limits for a Class B digital device, pursuant to Part 15 of the FCC Rules. These limits are designed to provide reasonable protection against harmful interference in a residential installation. This equipment generates, uses and can radiate radio frequency energy and, if not installed and used in accordance with the instructions, may cause harmful interference to radio communications. However, there is no guarantee that interference will not occur in a particular installation. If this equipment does cause harmful interference to radio or television reception, which can be determined by turning the equipment off and on, the user is encouraged to try to correct the interference by one or more of the following measures:

- Reorient or relocate the receiving antenna.
- Increase the separation between the equipment and the receiver.
- Connect the equipment into an outlet on a circuit different from that to which the receiver is connected.
- Consult the dealer or an experienced radio/TV technician for help.

**NOTICE:** Minimum lamp compartment dimensions for Model # 53186401 / 53186311: 130 (DIA) mm x 190 (H) mm when used in a 5-inch recessed luminaire. 155 (DIA) mm x 190 (H) mm when used in a 6-inch recessed luminaire.

**NOTICE:** Minimum lamp compartment dimensions for Model # 53185142 / 53185143: 110 (DIA) mm x 190 (H) mm when used in a 4 in. recessed luminaire.

# Warranty

## WHAT IS COVERED

The manufacturer warrants this lighting fixture to be free from defects in materials and workmanship for a period of (5) years from date of purchase. This warranty applies only to the original consumer purchaser and only to products used in normal use and service. If this product is found to be defective, the manufacturer's only obligation, and your exclusive remedy, is the repair or replacement of the product at the manufacturer's discretion, provided that the product has not been damaged through misuse, abuse, accident, modifications, alterations, neglect, or mishandling.

## WHAT IS NOT COVERED

This warranty shall not apply to any product that is found to have been improperly installed, set-up, or used in any way not in accordance with the instructions supplied with the product. This warranty shall not apply to a failure of the product as a result of an accident, misuse, abuse, negligence, alteration, faulty installation, or any other failure not relating to faulty material or workmanship. This warranty shall not apply to the finish on any portion of the product, such as surface and/or weathering, as this is considered normal wear and tear.

The manufacturer does not warrant and specifically disclaims any warranty, whether express or implied, of fitness for a particular purpose, other than the warranty contained herein. The manufacturer specifically disclaims any liability and shall not be liable for any consequential or incidental loss or damage, including but not limited to any labor / expense costs involved in the replacement or repair of said product.

Contact the Customer Service Team at 1-855-384-7754 or visit [www.ETiSSL.com](http://www.ETiSSL.com)

# Pre-Installation

## PLANNING INSTALLATION



**WARNING:** Shut off the power at the circuit breaker or fuse panel before removing the old fixture.



**NOTE:** Keep your receipt and these instructions for proof of purchase.

## TOOLS REQUIRED



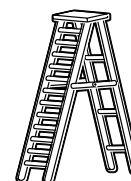
Phillips  
screwdriver



Safety goggles



Gloves

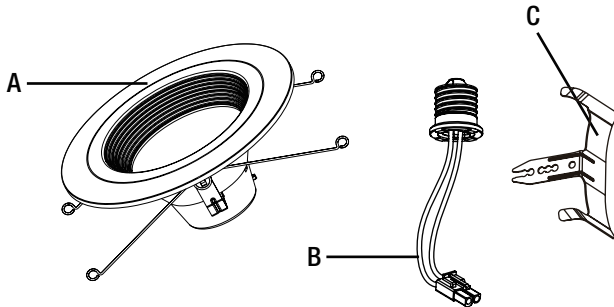


Ladder

# Pre-Installation (continued)

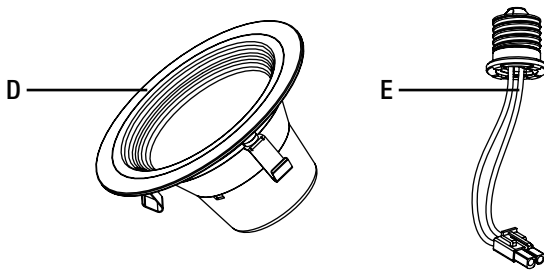
## PACKAGE CONTENTS

Model # 53186401 / 53186311



Part	Description	Quantity
A	LED Light Module	1
B	Medium Base (E26) Socket Adapter	1
C	Friction Clip	2

Model # 53185142 / 53185143



Part	Description	Quantity
D	LED Light Module	1
E	Medium Base (E26) Socket Adapter	1

## Installation

Before beginning assembly, installation or operation of product, make sure all parts are present. Compare parts with the package contents list. If any part is missing or damaged, do not attempt to assemble, install or operate the product. Contact customer service for replacement parts.

Model # 53186401 / 53186311 can be installed into 5 in. and 6 in. housings.



**NOTE:** Product is shipped in the 6 in. position. If installing in a 6 in. housing with ears, no adjustments are necessary. However, if installing in a 6 in. housing without ears or in a 5 in. housing, the appropriate instructions must be followed.

Model # 53185142 / 53185143 should be installed in 4 in. housings only.

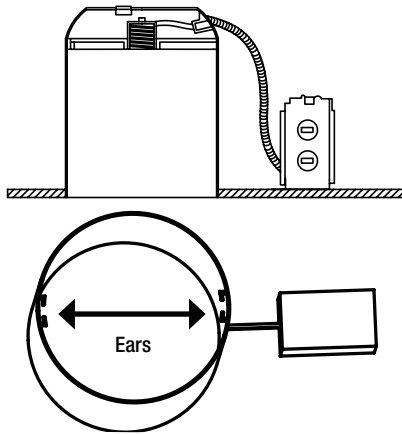
# Mount to 5 in./6 in. Housing with Ears - Model # 53186401 / 53186311

## 1 Turning off the power

- Make sure the power is turned off at the source to the recessed can housing where the fixture will be installed. Remove the existing bulb and trim, revealing the socket.

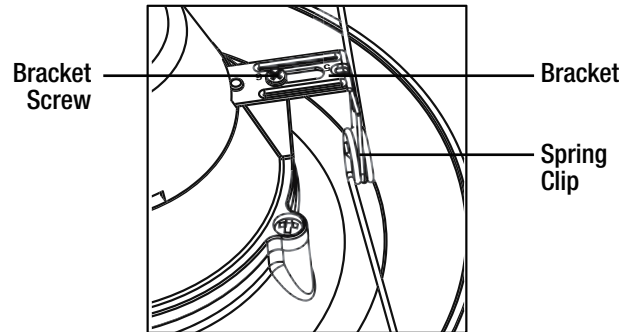


**NOTICE:** Stick the replacement label on the inner wall of the recessed housing before installation.



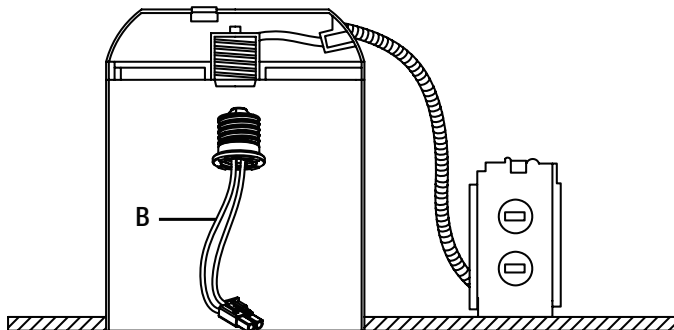
## 2 Adjusting the spring clips

- The factory setting of the spring clips is for 6 in. recessed can housings. To install in 5 in. recessed can housings, loosen the two screws in the brackets holding the spring clips on both sides of the LED light module using a Phillips screwdriver (not included).
- Slide the brackets holding the spring clips inward until the screws are in the 5 in. position, then tighten the screws using a Phillips screwdriver (not included).



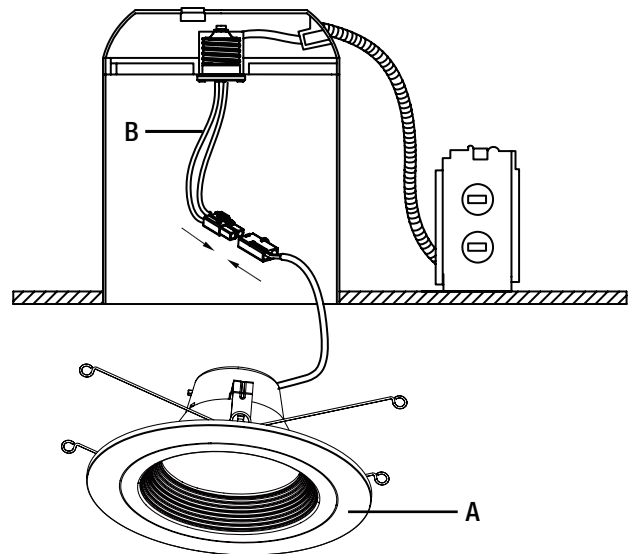
## 3 Connecting the socket adapter

- Screw the medium base (E26) socket adapter (B) into the socket in the recessed housing.



## 4 Connecting the cables

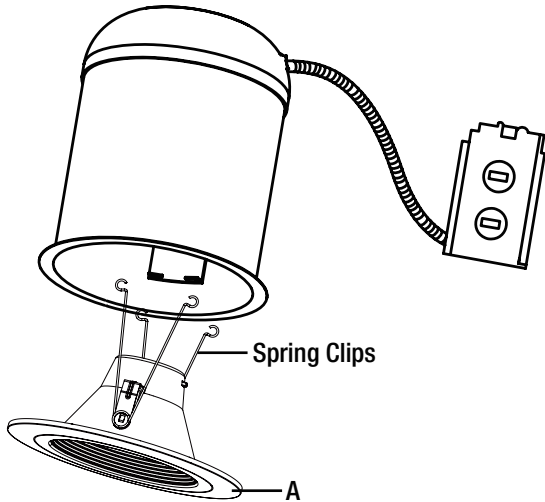
- Plug the cable connector on the socket adapter (B) into the connector on the LED light module (A).



## Mount to 5 in./6 in. Housing with Ears (continued)

### 5 Inserting the spring clips into the recessed can

- Compress the spring clips on the LED light module (A) and insert into the ears on the inside of the recessed can housing.

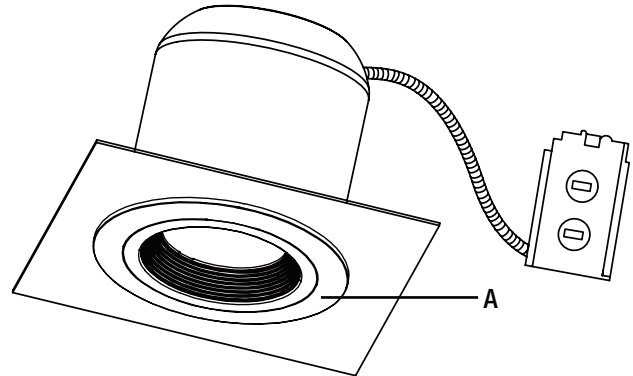


### 6 Pushing the LED light module into the recessed can

- Carefully push the LED light module (A) into the recessed can housing until the trim is flush with the ceiling surface.



**NOTICE:** Select the preferred color temperature of the light before pushing the LED light module into the recessed can housing.



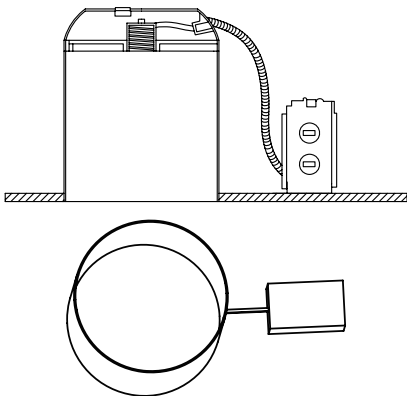
## Mount to 5 in./6 in. Housing without Ears - Model # 53186401 / 53186311

### 1 Turning off the power

- Make sure the power is turned off at the source to the recessed can housing where the fixture will be installed. Remove the existing bulb and trim, revealing the socket.



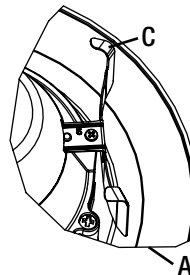
**NOTICE:** Stick the replacement label on the inner wall of the recessed housing before installation.



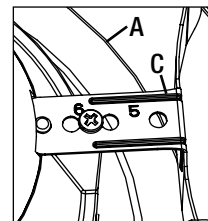
### 2 Replacing the spring clips with friction clips

- Unscrew the two brackets holding the spring clips and remove them. Install two friction clips (C) onto the LED light module (A) using the screws removed from the spring clip brackets. For a 5 in. recessed can housing, tighten the screws into the holes labeled "5" using a Phillips screwdriver (not included). For a 6 in. can, tighten the screws into the holes just to the right of "6". For cans up to 6.7 in., choose a hole to the left of "6" for best fit.

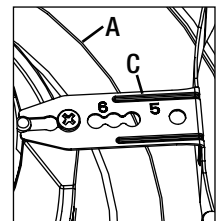
For 5 in. cans



For 6 in. cans



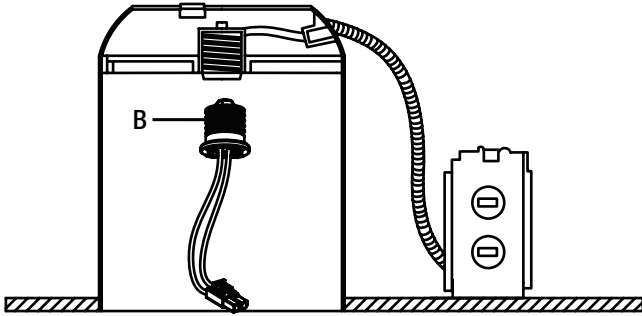
For 6+ in. cans



## Mount to 5 in./6 in. Housing without Ears (continued)

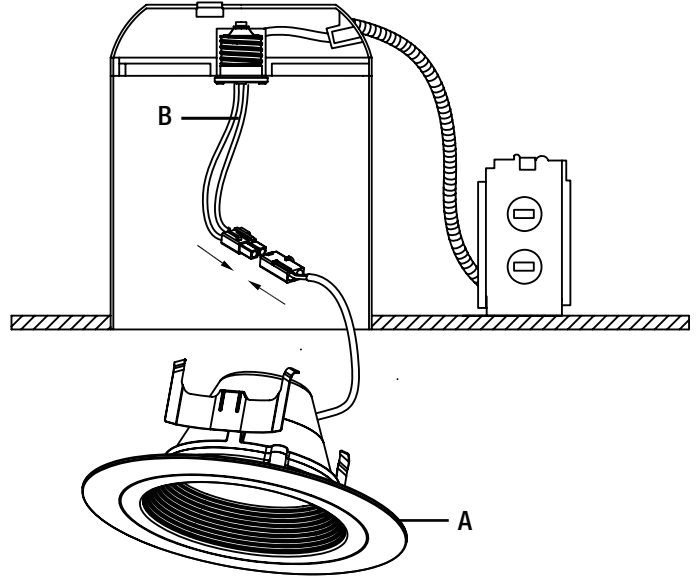
### 3 Connecting the socket adapter

- Screw the medium base (E26) socket adapter (B) into the socket in the recessed housing.



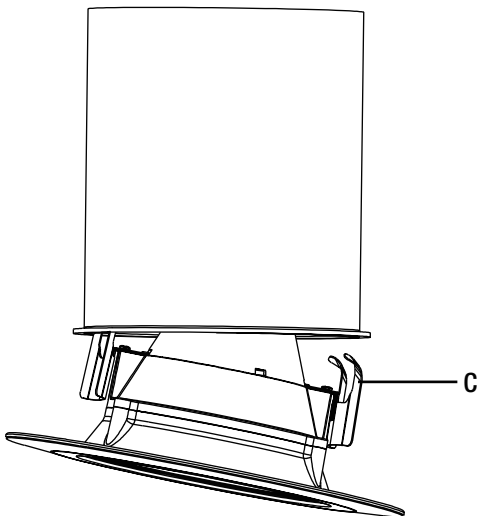
### 4 Connecting the cables

- Plug the cable connector on the socket adapter (B) into the connector on the LED light module (A).



### 5 Inserting the friction clips into the recessed can

- Insert one side of the downlight into the recessed can and firmly push against the friction clip (C), while inserting the other side into the can housing.

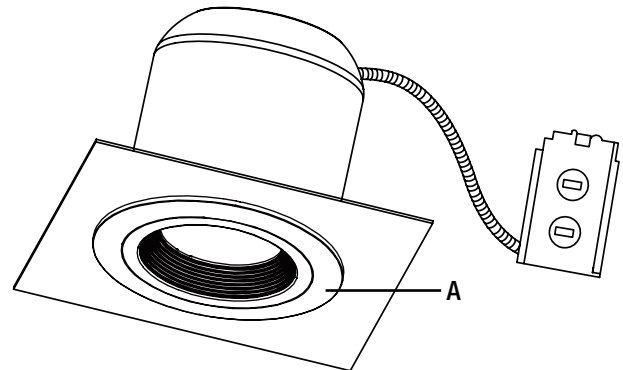


### 6 Pushing the LED light module into the recessed can

- Once both clips are inside, carefully push the LED light module (A) up into the recessed can housing until the trim is flush with the ceiling surface.



**NOTICE:** Select the preferred color temperature of the light before pushing the LED light module into the recessed can housing.



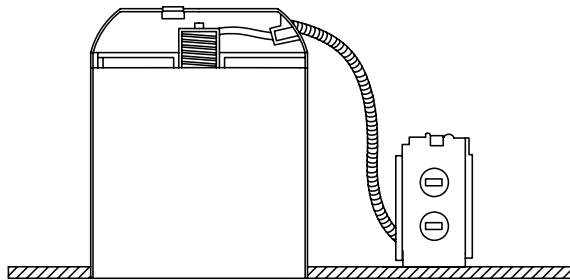
# Mount to 4 in. Housing - Model # 53185142 / 53185143

## 1 Turning off the power

- Make sure the power is turned off at the source to the recessed can housing where the fixture will be installed. Remove the existing bulb and trim, revealing the socket.

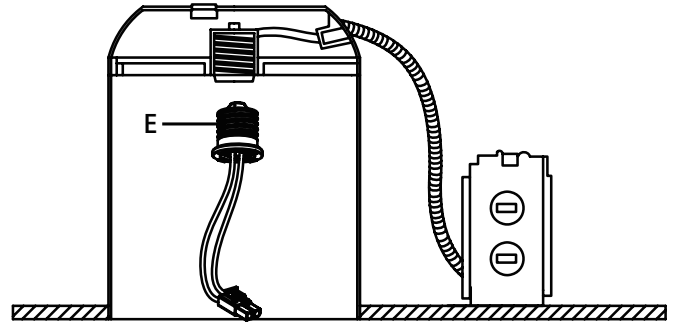


**NOTICE:** Stick the replacement label on the inner wall of the recessed housing before installation.



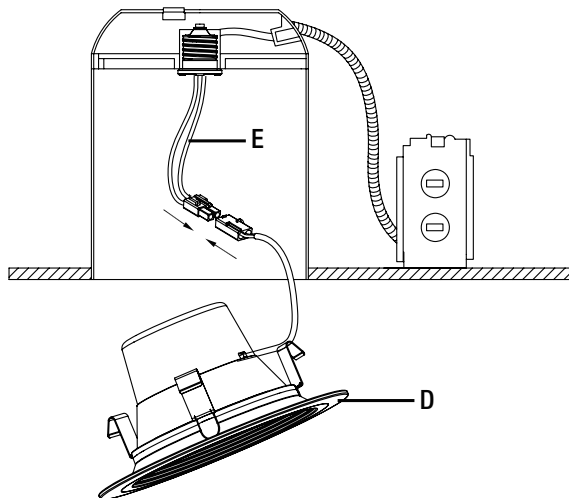
## 2 Connecting the socket adapter

- Screw the medium base (E26) socket adapter (E) into the socket in the recessed housing.



## 3 Connecting the cables

- Plug the cable connector on the socket adapter (E) into the connector on the LED light module (D).

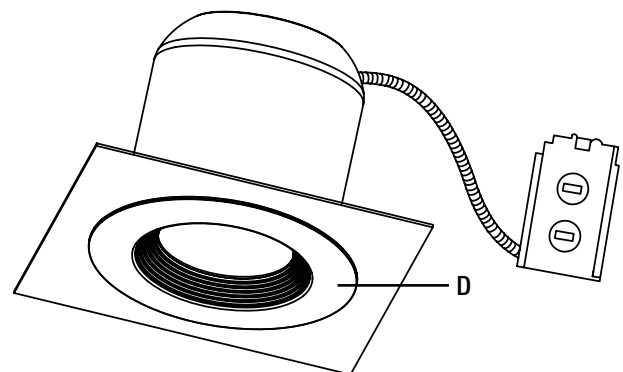


## 4 Pushing the LED light module into the recessed can

- Carefully push the LED light module (D) into the recessed can housing until the trim is flush with the ceiling surface.



**NOTICE:** Select the preferred color temperature of the light before pushing the LED light module into the recessed can housing.





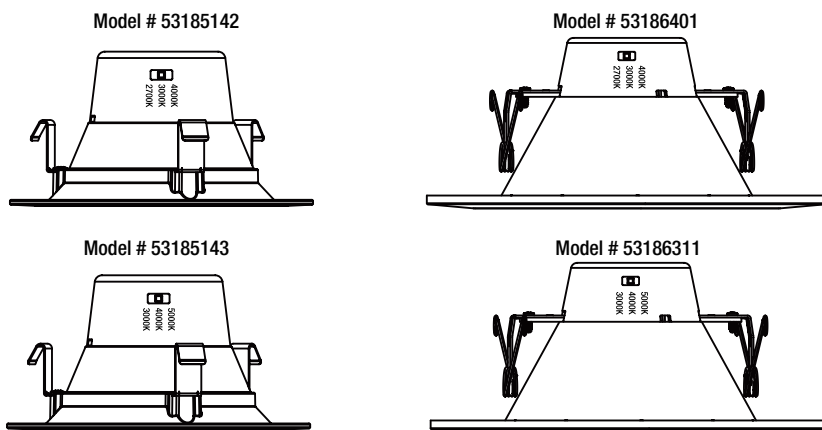
# Adjusting the Color Temperature of the Light

This downlight allows you to customize the color temperature of the light anywhere from warm white to bright white.

- Choose your favorite color temperature(CCT) from three options: 2700K / 3000K / 4000K for Model # 53185142 / 53186401, and 3000K / 4000K / 5000K for Model # 53186311 / 53185143.
- Move the toggle switch on the side of the LED light module to make your selection before pushing the LED light module into the recessed can housing.



**NOTICE:** The factory setting for the correlated color temperature (CCT) is 2700K for Model # 53185142/53186401, and 3000K for Model # 53186311/53185143., which is the warmest white light.



## Care and Cleaning



**CAUTION:** Before attempting to clean fixture, disconnect the power to the fixture by turning the breaker off or removing the fuse from the fuse box.

- Clean the fixture with a soft, dry cloth.
- Do not use cleaners with chemicals, solvents, or harsh abrasives

## Troubleshooting



**WARNING:** Before doing any work on the fixture, disconnect power to the light fixture.

Minor problems often can be fixed without the help of an electrician.

Problem	Possible Cause	Solution
The fixture will not light.	The power is off.	Ensure the power supply is on.
	The circuit breaker is off.	Ensure the circuit breaker is in the on position.
	There is a bad connection.	Check to ensure proper wire connections are made. Contact a qualified electrician.
	There is a defective switch.	Contact a qualified electrician.
The fuse blows or the circuit breaker trips when the light is turned on.	The wires are crossed or the power wire is grounding out.	Check the wire connections. Contact a qualified electrician or call ETi Solid State Lighting, Inc. service 1-855-384-7754.



**Questions, problems, missing parts?**

**Call ETi SSL Customer Service**

**9 a.m. – 5 p.m., EST, Monday - Friday**

**1-855-ETI-SSL (1-855-384-7754)**

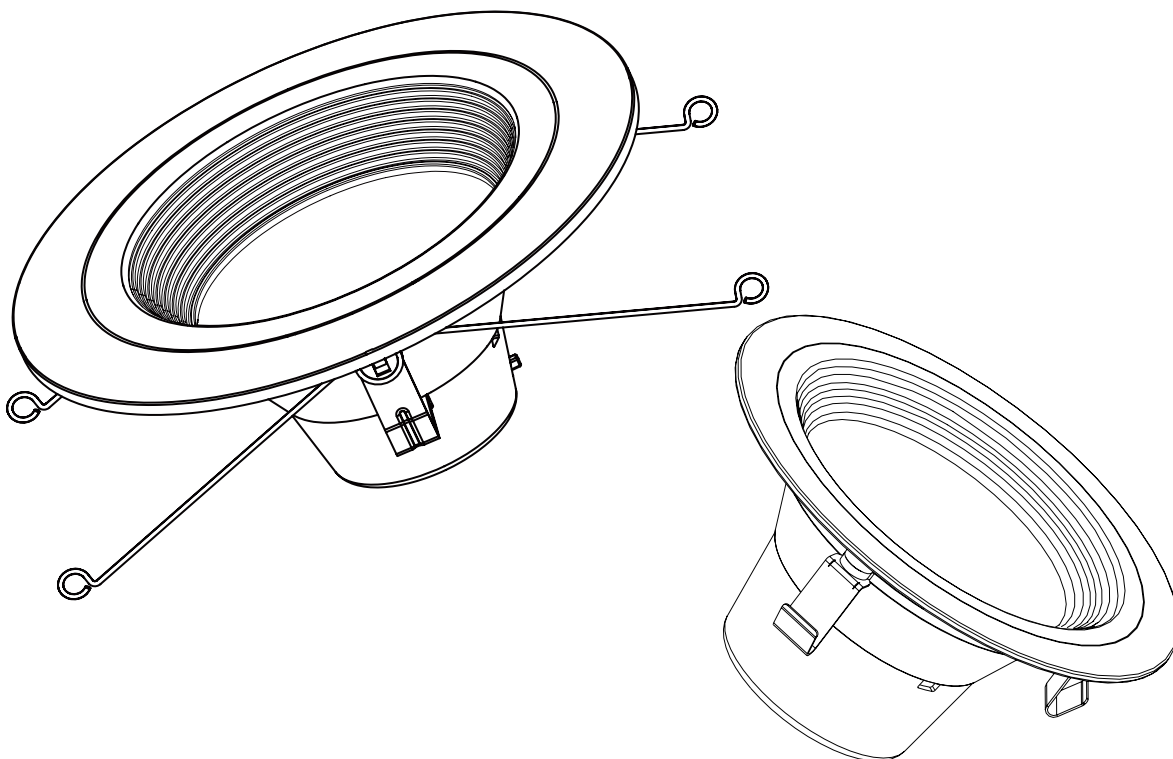
**[www.ETiSSL.com](http://www.ETiSSL.com)**

**Retain this manual for future use.**

## GUIDE D'UTILISATION ET D'ENTRETIEN

---

### LUMINAIRE ENCASTRÉ À DEL 5 ET 6 PO POUR RÉNOVATION LUMINAIRE ENCASTRÉ À DEL 4 PO POUR RÉNOVATION



Questions, difficultés, pièces manquantes?  
Téléphonez au service à la clientèle de ETi SSL  
9 h à 17 h, HNE, du lundi au vendredi,  
1 855 ETI-SSLI (1 855 384-7754)

[www.ETiSSL.com](http://www.ETiSSL.com)



---

#### MERCI

*Nous apprécions la confiance que vous avez accordé à ETi en achetant ce luminaire à DEL. Nous cherchons continuellement à créer des produits de qualité visant à améliorer le décor de votre foyer. Consultez notre gamme complète de produits pour vos projets de rénovation au foyer. Nous vous remercions d'avoir choisi ETi!*

# Table des matières

Table des matières	12
Notice de sécurité	12
Garantie	13
Avant l'installation	13
Planification de l'installation	13
Outils requis	13
Contenu de l'emballage	14

Installation	14
Installation dans un boîtier de 5 po / 6 po à oreilles	15
Installation dans un boîtier de 5 po / 6 po sans oreille	16
Installation dans un boîtier de 4 po	18
Réglage de la température chromatique de la lumière	19
Entretien et nettoyage	19
Guide de dépannage	19

## Notice de sécurité



**AVERTISSEMENT:** Lisez et comprenez bien les renseignements fournis dans ce manuel avant de procéder à l'assemblage et à l'installation. Un manque à le faire pourrait mener à un risque de choc électrique, d'incendie ou de blessures qui pourraient être graves, voire même mortelles.



**AVERTISSEMENT:** Assurez-vous de couper le courant au circuit sur lequel vous travaillerez. Enlevez le fusible ou coupez le disjoncteur.



**AVERTISSEMENT:** Risque d'incendie ou de choc électrique. Cette trousse de rénovation à DEL doit être installée par une personne qui connaît bien la conception et le fonctionnement du système électrique du luminaire ainsi que les risques qui y sont associés. Si vous n'êtes pas qualifié, ne procédez pas à l'installation. Faites appel à un électricien qualifié.



**AVERTISSEMENT:** N'installez cette trousse que dans des luminaires qui ont les caractéristiques de construction et les dimensions que celles qui paraissent dans les photos ou les illustrations des présentes instructions et là où la tension nominale d'entrée de la trousse ne dépasse pas la valeur nominale d'entrée du luminaire.



**AVERTISSEMENT:** Ne pratiquez ni ne modifiez aucun orifice dans une boîte électrique ou dans les composants électriques pendant l'installation du luminaire.



**AVERTISSEMENT:** Pour éviter d'endommager ou d'échiffer les fils, ne les exposez pas aux rebords de tôle ou à d'autres objets tranchants.

**AVIS:** Ce dispositif a été testé et se trouve en deça des limites pour un dispositif numérique de Classe B aux termes de la section 15B des règlements de la FCC. Ces limites servent à offrir une protection raisonnable contre une interférence nocive dans une installation résidentielle.

Ce dispositif génère, utilise et peut irradier une énergie de fréquence radio; s'il n'est pas installé et utilisé conformément aux directives, il peut causer une interférence nocive aux communications radio. Il n'est toutefois pas garanti qu'aucune interférence ne surviendra dans une installation particulière. Si le dispositif cause une interférence nuisible à la réception radio ou télé, ce qui peut être établi en éteignant et rallumant le dispositif, on conseille à l'utilisateur de tenter de remédier à la situation en utilisant une ou plusieurs de ces procédures :

- Réorienter ou déplacer l'antenne réceptrice.
- Augmenter la distance entre le dispositif et le poste récepteur.
- Brancher l'équipement dans une prise de courant sur un circuit autre que celui sur lequel le récepteur est branché.
- Demander conseil auprès du marchand ou d'un technicien en radio/télé.

**AVIS:** Dimensions minimales du boîtier du luminaire Modèle # 53186401 / 53186311: 130 mm (DIAM) x 190 mm (H) lorsqu'il est utilisé dans un luminaire encastré de 5 pouces.  
155 mm (DIAM) x 190 mm (H) lorsqu'il est utilisé dans un luminaire encastré de 6 pouces.

**AVIS:** Dimensions minimales du boîtier du luminaire Modèle # 53185142 / 53185143: 110 (DIA) mm x 190 (H) mm lorsqu'il est utilisé dans un luminaire encastré de 4 pouces.

## Garantie

### CE QUI EST COUVERT

Le fabricant garantit cet appareil d'éclairage contre les vices de matière et de fabrication pour une période de cinq (5) ans à partir de la date d'achat. Cette garantie n'est offerte qu'au consommateur acheteur d'origine et ne couvre que les produits utilisés de façon normale. Si le produit s'avère défectueux, la seule obligation du fabricant et votre seul remède sera la réparation ou le remplacement du produit, à la discrétion du fabricant, en autant que le produit n'ait pas été endommagé suite à une mauvaise utilisation, un usage abusif, un accident, des modifications, une négligence ou une mauvaise manutention.

### CE QUI N'EST PAS COUVERT

Cette garantie est sans effet si le produit a été mal installé, mal préparé, ou utilisé d'une façon contraire aux instructions fournies avec le produit. Cette garantie est sans effet si la panne du produit est le résultat d'un accident, d'une mauvaise utilisation, d'un usage abusif, d'une négligence, d'une modification, d'une mauvaise installation ou de toute cause autre qu'un vice de matière ou de fabrication. La garantie ne s'applique pas au fini d'une partie quelconque du produit comme la surface ni à l'altération, considérés une usure normale. Le fabricant n'offre aucune garantie et se désiste particulièrement de toute garantie, expresse ou explicite, d'aptitude à fournir une tâche particulière, autre que la garantie offerte dans la présente.

Le fabricant se désiste particulièrement de toute responsabilité et ne peut être tenu responsable de quelque perte ou dommage fortuit ou indirect, incluant mais non de façon limitative les frais / coûts de main-d'oeuvre liés à la réparation ou au remplacement du produit.

Communiquez avec le service à la clientèle au 1 855 384-7754 ou consultez [www.ETiSSL.com](http://www.ETiSSL.com)

## Avant l'installation

### PLANIFICATION DE L'INSTALLATION

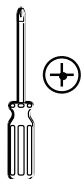


**AVERTISSEMENT:** Coupez le courant au disjoncteur ou au panneau électrique avant de démonter le vieux luminaire.



**REMARQUE:** Gardez votre facture ainsi que ces instructions comme preuves d'achat.

### OUTILS REQUIS



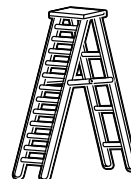
Tournevis  
cruciforme



Lunettes de  
protection



Gants

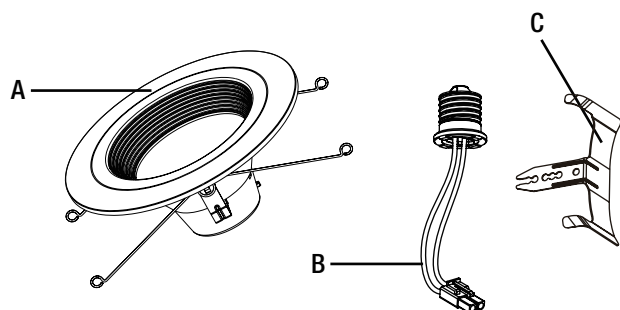


Échelle

## Avant l'installation (suite)

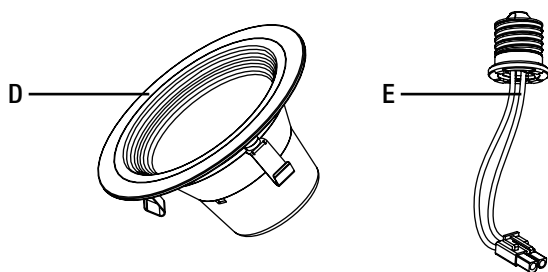
### CONTENU DE L'EMBALLAGE

Modèle # 53186401 / 53186311



Pièce	Description	Quantité
A	Module d'éclairage à DEL	1
B	Adaptateur de douille pour culot moyen (E26)	1
C	Pince à friction	2

Modèle # 53185142 / 53185143



Pièce	Description	Quantité
D	Module d'éclairage à DEL	1
E	Adaptateur de douille pour culot moyen (E26)	1

## Installation

Avant de commencer à assembler, installer ou utiliser le produit, assurez-vous d'avoir toutes les pièces. Comparez les pièces à la liste du contenu de l'emballage. S'il y a des pièces manquantes ou endommagées, ne tentez pas d'assembler, d'installer, ni d'utiliser le produit. Communiquez avec le service à la clientèle pour obtenir des pièces de rechange.

Le luminaire Modèle # 53186401 / 53186311 peut être installé dans un boîtier de 12,7 ou 15,24 cm (5 ou 6 po).



**REMARQUE:** L'article est pré-réglé pour convenir à un boîtier de 15,24 cm. S'il est installé dans un boîtier de 15,24 cm avec oreilles, aucun ajustement n'est nécessaire. Cependant, s'il est installé dans un boîtier de 15,24 cm sans oreille ou dans un boîtier de 12,7 cm, les instructions appropriées doivent être respectées.

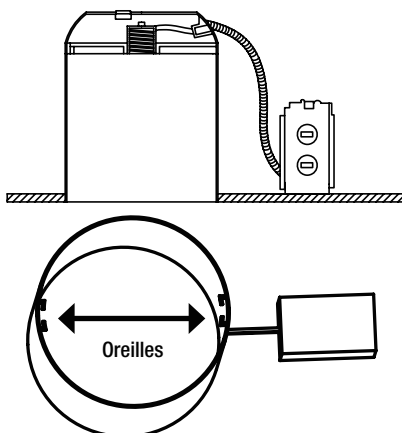
Le luminaire Modèle # 53185142 / 53185143 peut être installé dans un boîtier de 10,2 cm (4 po) uniquement.

## 1 Mise hors tension

- Assurez-vous que l'alimentation du boîtier dans lequel vous installerez le luminaire est coupée à la source. Retirez la garniture et l'ampoule déjà en place pour exposer la douille.

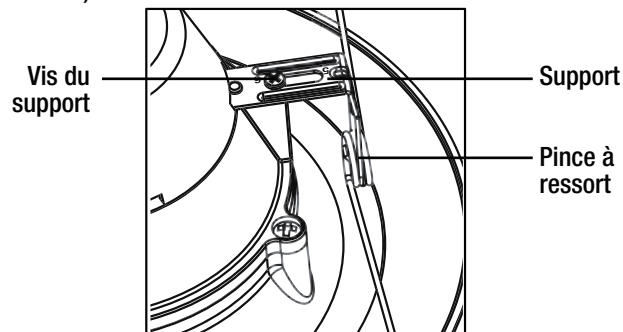


**AVIS:** Apposez l'étiquette de remplacement sur la paroi interne du boîtier avant l'installation.



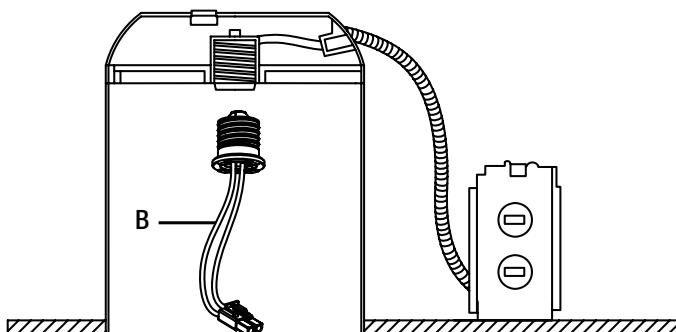
## 2 Réglage des pinces à ressort

- Le réglage par défaut des pinces à ressort convient à un boîtier de 15,24 cm. Pour une installation dans un boîtier de 12,7 cm, desserrez les deux vis des supports où sont fixées les pinces à ressort, de chaque côté du module d'éclairage à DEL, à l'aide d'un tournevis cruciforme (non inclus).
- Faites glisser les supports des pinces à ressort vers l'intérieur jusqu'à ce que les vis soient à la marque « 5 », puis serrez-les à l'aide d'un tournevis cruciforme (non inclus).



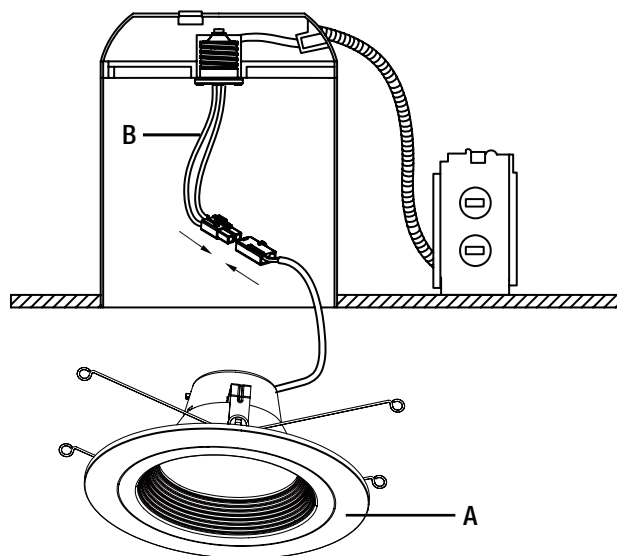
## 3 Pose de l'adaptateur de douille

- Vissez l'adaptateur de douille pour culot moyen (E26) (B) dans la douille du boîtier encastré.



## 4 Raccordement des fils

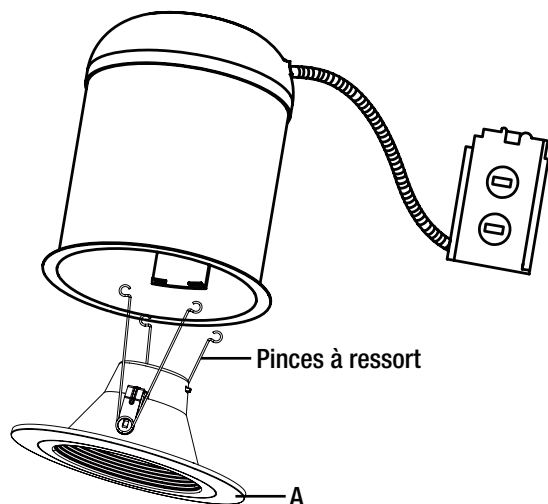
- Branchez le connecteur de l'adaptateur de douille (B) au connecteur du module d'éclairage à DEL (A).



## Installation d'un boîtier 5 po / 6 po à oreilles (suite)

### 5 Insertion des pinces à ressort dans le boîtier encastré

- Serrez les pinces à ressort du module d'éclairage à DEL (A), puis insérez-les dans les oreilles situées à l'intérieur du boîtier encastré.

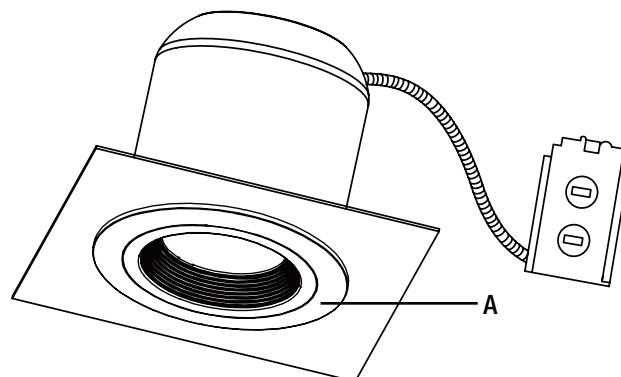


### 6 Pose du module d'éclairage à DEL dans le boîtier encastré

- Enfoncez doucement le module d'éclairage à DEL (A) dans le boîtier encastré jusqu'à ce que la garniture soit de niveau avec la surface du plafond.



**AVIS:** Sélectionnez la couleur chromatique d'éclairage avant d'introduire le module d'éclairage à DEL dans le boîtier encastré.



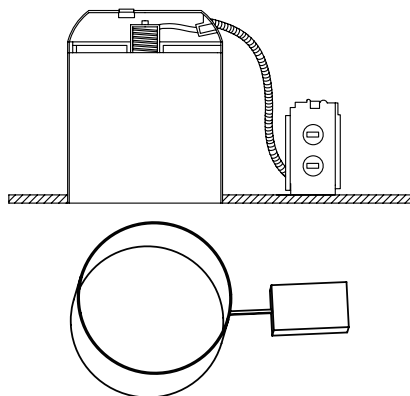
## Installation dans un boîtier de 5 po / 6 po sans oreille - Modèle # 53186401 / 53186311

### 1 Mise hors tension

- Assurez-vous que l'alimentation du boîtier dans lequel vous installerez le luminaire est coupée à la source. Retirez la garniture et l'ampoule déjà en place pour exposer la douille.



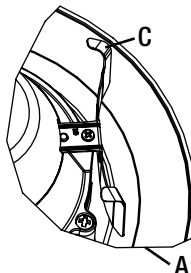
**AVIS:** Apposez l'étiquette de remplacement sur la paroi interne du boîtier avant l'installation.



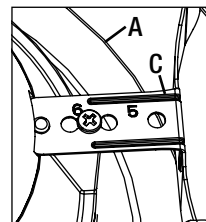
### 2 Remplacement des pinces à ressort par des pinces de friction

- Dévissez les deux supports où sont fixées les pinces à ressort, puis retirez-les. Fixez deux pinces à friction (C) au module d'éclairage à DEL (A) à l'aide des vis retirées des supports. Pour l'installation dans un boîtier de 12,7 cm (5 po), serrez les vis dans les trous portant la marque « 5 » à l'aide d'un tournevis cruciforme (non inclus). Pour l'installation dans un boîtier de 15,24 cm (6 po), serrez les vis dans les trous juste à la droite de la marque « 6 ». Pour les boîtes jusqu'à 17 cm (6.7 po), choisissez, choisir un trou à gauche du « 6 » pour le meilleur ajustement.

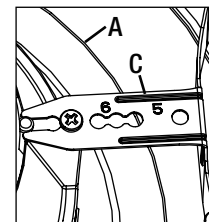
Boîtiers encastrés de 12,7 cm



Boîtiers encastrés de 15,24 cm



Boîtiers encastrés de plus de 15,24 cm

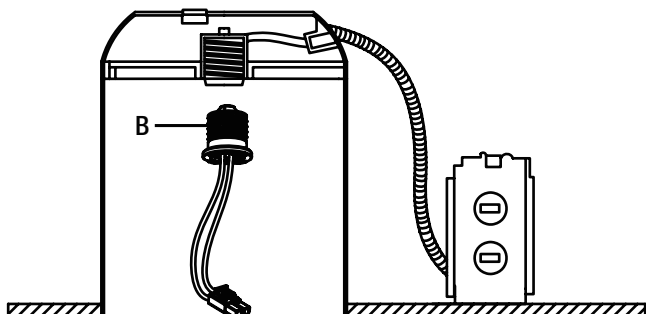




## Installation dans un boîtier de 5 po / 6 po sans oreille (suite)

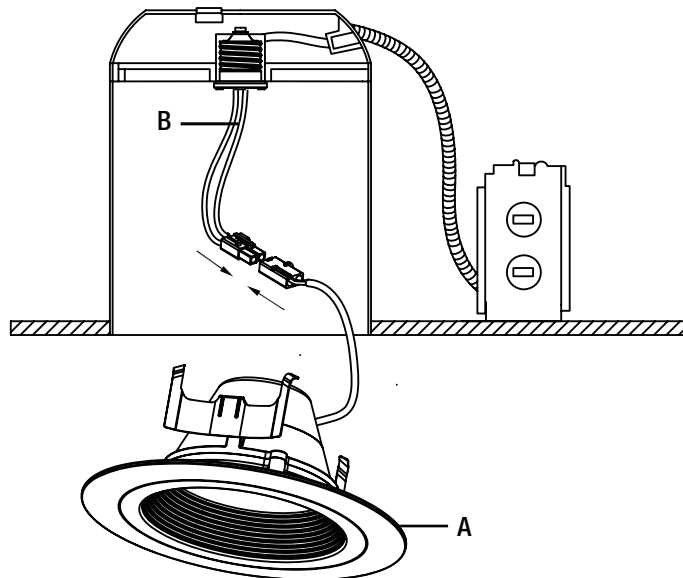
### 3 Pose de l'adaptateur de douille

- Vissez l'adaptateur de douille pour culot moyen (E26) (B) dans la douille du boîtier encastré.



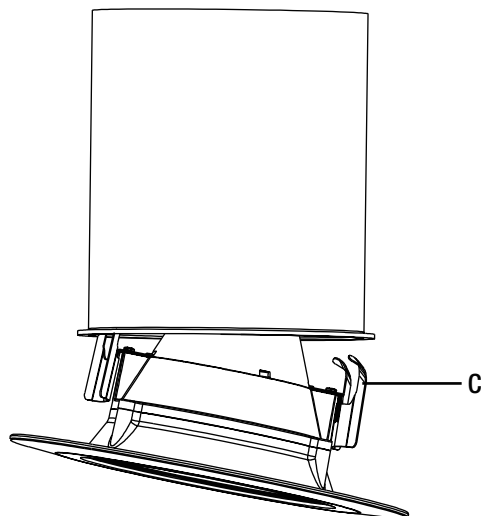
### 4 Raccordement des fils

- Branchez le connecteur de l'adaptateur de douille (B) au connecteur du module d'éclairage à DEL (A).



### 5 Insertion des pinces à friction dans le boîtier encastré

- Insérez un côté du luminaire dans le boîtier et appuyez fermement contre la pince à friction pendant que vous insérez l'autre côté dans le boîtier encastré.

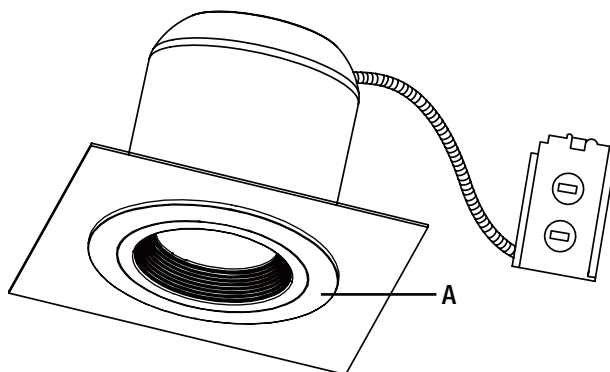


### 6 Pose du module d'éclairage à DEL dans le boîtier encastré

- Une fois les deux attaches à l'intérieur, poussez soigneusement le module d'éclairage à DEL (A) dans le boîtier encastré jusqu'à ce que la garniture soit égale avec la surface du plafond.



**AVIS:** Sélectionnez la couleur chromatique d'éclairage avant d'introduire le module d'éclairage à DEL dans le boîtier encastré.

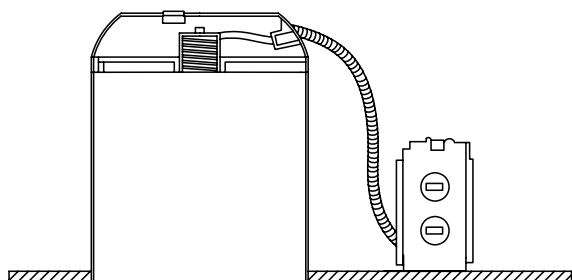


## 1 Mise hors tension

- Assurez-vous que l'alimentation du boîtier dans lequel vous installerez le luminaire est coupée à la source. Retirez la garniture et l'ampoule déjà en place pour exposer la douille.

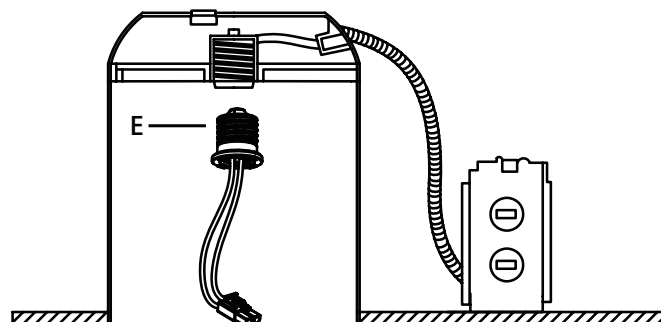


**AVIS:** Apposez l'étiquette de remplacement sur la paroi interne du boîtier avant l'installation.



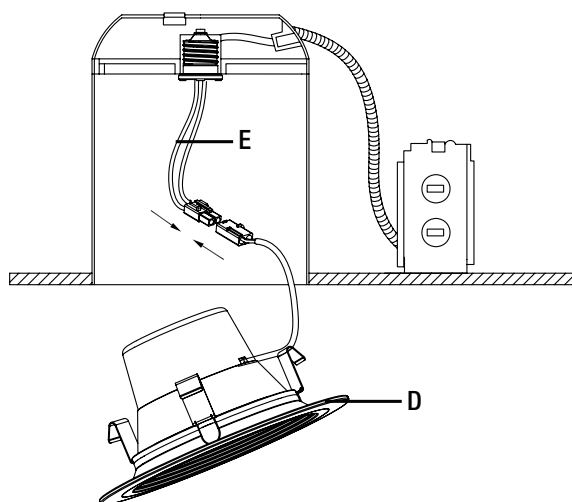
## 2 Pose de l'adaptateur de douille

- Vissez l'adaptateur de douille pour culot moyen (E26) (B) dans la douille du boîtier encastré.



## 3 Raccordement des fils

- Branchez le connecteur de l'adaptateur de douille (B) au connecteur du module d'éclairage à DEL (A).

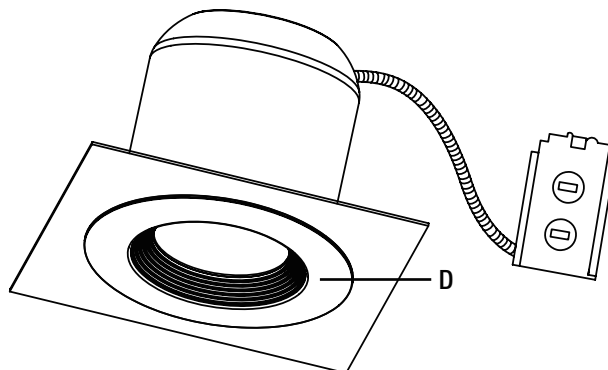


## 4 Pose du module d'éclairage à DEL dans le boîtier encastré

- Enfoncez doucement le module d'éclairage à DEL (A) dans le boîtier encastré jusqu'à ce que la garniture soit de niveau avec la surface du plafond.



**AVIS:** Sélectionnez la couleur chromatique d'éclairage avant d'introduire le module d'éclairage à DEL dans le boîtier encastré.



# Réglage de la température chromatique de la lumière

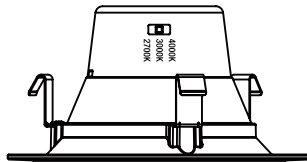
Ce projecteur permet le réglage de la température chromatique de la lumière, de blanc chaud à blanc brillant.

- Choisissez l'une de trois températures chromatiques proximales (CCT) : 2700K/3000K/4000K ou 3000K/4000K/5000K.
- Sélectionnez la couleur en déplaçant le commutateur sur le flanc du module d'éclairage à DEL avant d'introduire le module dans le boîtier encastré.

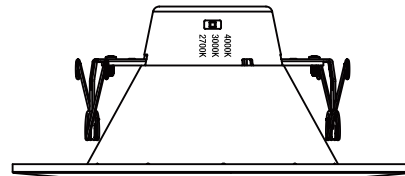


**AVIS:** Le réglage chromatique à l'usine est de 2700K ou 3000K, la lumière blanche la plus chaude.

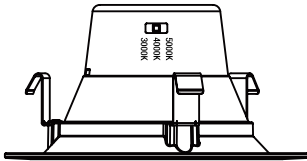
Modèle # 53185142



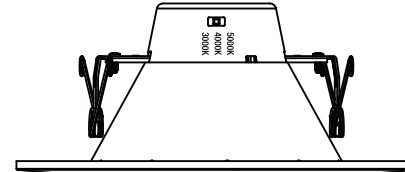
Modèle # 53186401



Modèle # 53185143



Modèle # 53186311



## Entretien et nettoyage



**MISE EN GARDE :** Avant le nettoyage, coupez l'alimentation du luminaire en plaçant le disjoncteur en position hors tension ou en enlevant le fusible de la boîte à fusibles.

- Nettoyez le luminaire à l'aide d'un linge doux et sec.
- N'utilisez pas de nettoyeurs contenant des produits chimiques, des solvants ou des produits abrasifs forts.

## Dépannage



**AVERTISSEMENT:** Avant de manipuler le luminaire, coupez son alimentation électrique.

Les problèmes mineurs peuvent souvent être réglés sans l'aide d'un électricien.

Problème	Cause Possible	Mesure Corrective
Le luminaire ne s'allume pas.	Le luminaire est hors tension.	Vérifiez l'alimentation électrique.
	Le disjoncteur est en position d'arrêt.	Assurez-vous que le disjoncteur est en circuit.
	Les fils sont mal branchés.	Assurez-vous que les fils sont bien branchés. Faites appel à un électricien qualifié.
	Un interrupteur est défectueux.	Faites appel à un électricien qualifié.
Le fusible saute ou le disjoncteur se déclenche lorsque le luminaire est mis sous tension.	Les fils sont croisés ou un fil d'alimentation est mis à la terre.	Assurez-vous que les fils sont bien branchés. Faites appel à un électricien qualifié ou téléphonez au service à la clientèle de ETi Solid State Lighting, Inc. au 1 855 384-7754.



**Questions, difficultés, pièces manquantes?  
Téléphonez au service à la clientèle de ETi SSL  
9 h à 17 h, HNE, du lundi au vendredi,  
1 855 ETI-SSL (1 855 384-7754)**

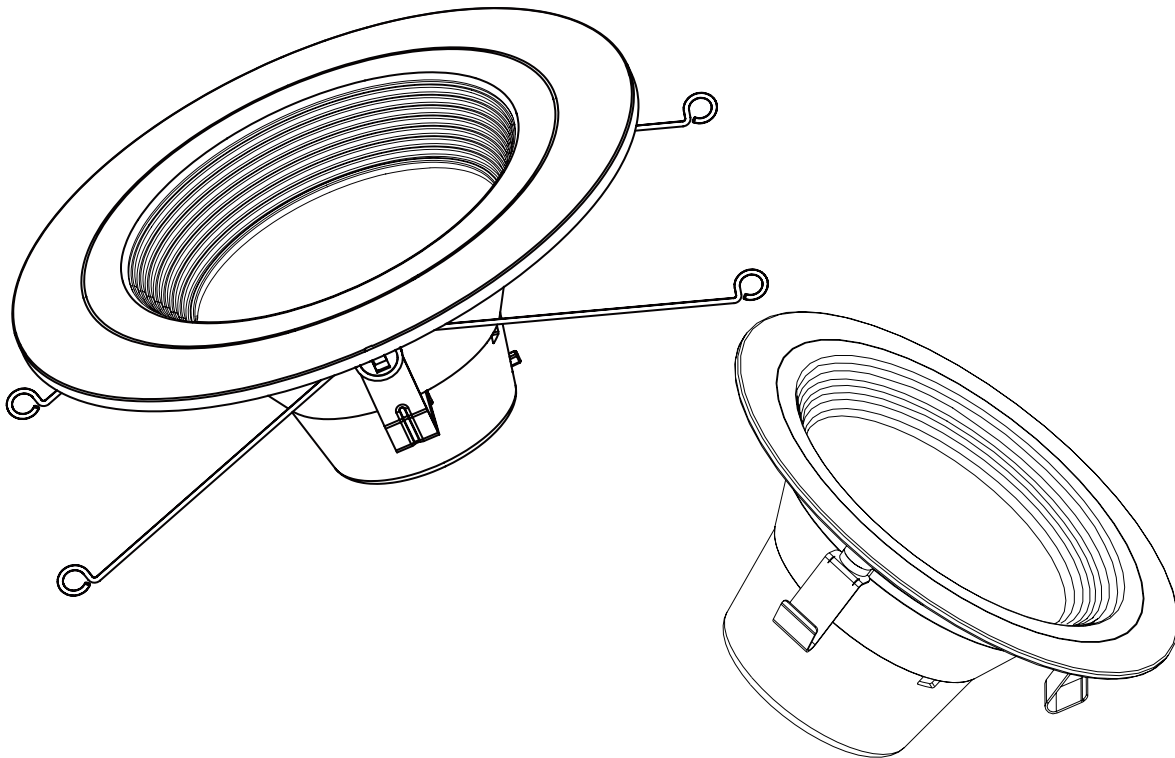
**[www.ETiSSL.com](http://www.ETiSSL.com)**

**Conservez ce manuel pour référence ultérieure**

## MANUAL DE USO Y CUIDADO

---

**PROYECTOR LED EMPOTRABLE DE RENOVACIÓN DE 5 PUL./6 PULG.  
PROYECTOR LED EMPOTRABLE DE RENOVACIÓN DE 4 PULG.**



¿Preguntas, problemas, piezas faltantes?

Llame al Centro de Atención al Cliente de ETi SSL

9 a.m. – 5 p.m., Hora del Este de EE.UU., de lunes a viernes.

1-855-ETI-SSLI (1-855-384-7754)

[www.ETiSSL.com](http://www.ETiSSL.com)



---

### GRACIAS

*Apreciamos la confianza que ha puesto en ETi al comprar este dispositivo de luz LED. Nos esforzamos por crear constantemente productos diseñados para dar realce a su hogar. Visítenos en línea para ver nuestra gama completa de productos disponibles para sus necesidades al momento de hacer mejoras en su hogar. ¡Muchas gracias por elegir a ETi!*

# Contenido

Contenido .....	22
Información sobre seguridad .....	22
Garantía .....	23
Previo a la instalación .....	23
Planificación de la instalación .....	23
Herramientas necesarias .....	23
Contenido del paquete .....	24

Instalación .....	24
Instalación en carcasa de 5 pulg./6 pulg. con orejas .....	25
Instalación en carcasa de 5 pulg./6 pulg. sin orejas .....	26
Instalación en carcasa de 4 pulg. ....	28
Ajustar la temperatura del color del luz .....	29
Cuidado y limpieza .....	29
Solución de problemas .....	29

## Información sobre seguridad



**ADVERTENCIA:** Lea cuidadosamente y comprenda la información incluida en este manual antes de comenzar el armado e instalación. No hacerlo puede provocar descarga eléctrica, incendio, u otras lesiones que pueden ser graves o mortales.



**ADVERTENCIA:** Asegúrese de cortar el suministro eléctrico en los cables con los que trabajará. Extraiga los fusibles o apague el cortacircuitos.



**ADVERTENCIA:** Riesgo de incendio o descarga eléctrica. La instalación de este conjunto de renovación LED debe ser realizada por una persona familiarizada con la construcción y operación del sistema eléctrico de la lámpara / luminaria y de los posibles riesgos. Si no está calificado, no intente la instalación. Póngase en contacto con un electricista calificado.



**ADVERTENCIA:** Instale este conjunto únicamente en luminarias (lámparas) que cuenten con las características de construcción y las dimensiones que se muestran en las fotografías o dibujos incluidos en estas instrucciones de instalación, donde la potencia de entrada del conjunto de renovación no supere la potencia de entrada de la lámpara.



**ADVERTENCIA:** No haga ni altere orificios abiertos en una caja de cableado ni componentes eléctricos durante la instalación del conjunto.



**ADVERTENCIA:** Para evitar que los cables se dañen o se pelen, no los exponga a los bordes de láminas de metal o a otros objetos afilados.

**AVISO:** Este equipo ha sido sometido a prueba y se halló que cumple con los límites establecidos para la clase B de dispositivos digitales, conforme a la Parte 15 de las Normas de FCC.

Estos límites se establecen para brindar protección razonable contra interferencia dañina en una instalación residencial.

Este equipo genera, utiliza y puede irradiar energía de frecuencias de radio y, si no se instala conforme a las instrucciones, puede provocar interferencia dañina a las comunicaciones de radio. A pesar de esto, no existe garantía de que la interferencia no se produzca en una instalación en particular.

Si este equipo produce interferencia dañina a la recepción de radio o televisión, lo que puede determinarse encendiendo y apagando el equipo, se insta al usuario a intentar corregir la interferencia mediante uno de los siguientes métodos:

- Cambie la orientación o ubicación de la antena receptora.
- Aumente la separación entre el equipo y el receptor.
- Conecte el equipo en un enchufe que esté en un circuito diferente al cual está conectado el receptor.
- Consulte con el representante o con un técnico experimentado en radio y televisión para solicitar asistencia.

**AVISO:** Dimensiones mínimas del vano lámpara para Modelo # 53186401 / 53186311: 130 mm (de diámetro) x 190 mm (de alto) cuando se utiliza en una carcasa empotrable de 5 pulgadas.  
155 mm (de diámetro) x 190 mm (de alto) cuando se utiliza en una carcasa empotrable de 6 pulgadas.

**AVISO:** Dimensiones mínimas del vano lámpara para Modelo # 53185142 / 53185143: 110 mm (de diámetro) x 190 mm (de alto) cuando se utiliza en una carcasa empotrable de 4 pulgadas.

## Garantía

### CUBRE

El fabricante garantiza que este aparato de iluminación no tendrá defectos en los materiales o en la mano de obra por un periodo de cinco (5) años desde la fecha de compra. Esta garantía se aplica sólo al comprador consumidor original y sólo a los productos que se utilizan y reciben servicio en forma normal. Si se encuentra que este producto tiene defectos, la única obligación del fabricante, y su exclusiva solución, es reparar o reemplazar el producto a su entera discreción, siempre y cuando el producto no se haya dañado debido al mal uso, abuso, accidente, modificaciones, alteraciones, negligencias o mal manejo del mismo.

### NO CUBRE

Esta garantía no se aplica a ningún producto que se ha instalado incorrectamente, ajustado o utilizado en una forma que no concuerde con las instrucciones suministradas junto con el producto. Esta garantía no se aplicará a fallas del producto como resultado de un accidente, uso incorrecto, abuso, negligencia, alteración, instalación defectuosa, o ninguna otra falla no relacionada con el material o mano de obra defectuosa. Esta garantía no se aplica a los acabados en ninguna parte del producto, tal como la superficie ni a la acción de los elementos, ya que esto se considera desgaste normal.

El fabricante no garantiza y no acepta responsabilidad, ya sea expresa o implícita de la idoneidad para un fin particular, a excepción de la garantía contenida en el presente. El fabricante niega específicamente cualquier responsabilidad y no será responsable por daños o pérdidas indirectas o consecuenciales, e incluye pero no se limita a los costos de mano de obra, gastos relacionados en el reemplazo o reparación de dicho producto.

Comuníquese con el equipo de Servicio al Cliente al 1-855-384-7754 o visite [www.ETiSSL.com](http://www.ETiSSL.com).

## Previo a la instalación

### PLANIFICACIÓN DE LA INSTALACIÓN



**ADVERTENCIA:** Extraiga los fusibles o apague el cortacircuitos antes de quitar la lámpara existente.



**NOTA:** Guarde el recibo de compra y estas instrucciones como prueba de compra.

### HERRAMIENTAS NECESARIAS



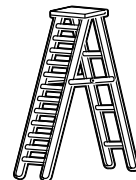
Destornillador  
de estrella



Gafas de  
seguridad



Guantes

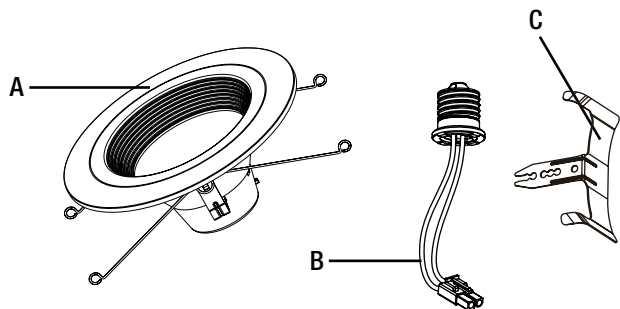


Escalera

## Previo a la instalación (continuación)

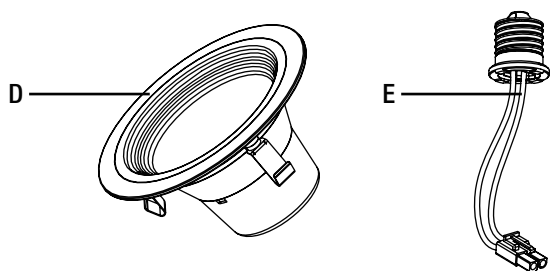
### CONTENIDO DEL PAQUETE

Modelo # 53186401 / 53186311



Pieza	Descripción	Cantidad
A	Módulo de luz LED	1
B	Adaptador para portalámpara de base media (E26)	1
C	Grapa de fricción	2

Modelo # 53185142 / 53185143



Pieza	Descripción	Cantidad
D	Módulo de luz LED	1
E	Adaptador para portalámpara de base media (E26)	1

## Instalación

Antes de comenzar el armado, la instalación o antes de operar el producto, asegúrese de que tiene todas las piezas. Compare las piezas con la lista de contenido. Si falta alguna pieza o si está dañada, no proceda a armar, instalar ni operar el producto. Comuníquese con el servicio al cliente para el reemplazo de las piezas.

Modelo # 53186401 / 53186311 puede instalarse en carcargas de 5 pulg. y de 6 pulg.



**NOTA:** El producto se envía en la posición de 6 pulg. Si lo instala en una carcasa de 6 pulg. con orejas, no es necesario realizar ajustes. Sin embargo, si lo instala en una carcasa de 6 pulg. sin orejas o en una carcasa de 5 pulg., debe seguir las instrucciones correspondientes.

Modelo # 53185142 / 53185143 debe instalarse en carcargas de 4 pulg.

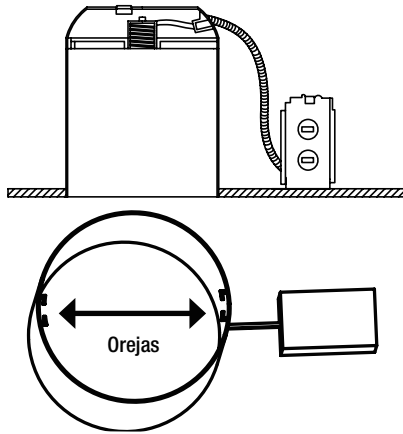


## 1 Cortar el suministro eléctrico

- Asegúrese de cortar el suministro eléctrico a la carcasa empotrada donde se instalará lámpara. Retire el reborde y la bombilla existentes, para dejar el portalámpara.

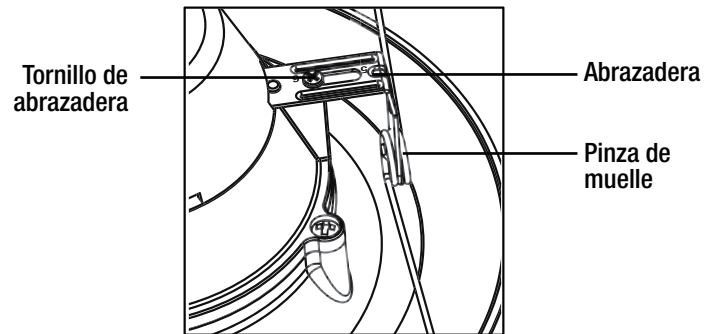


**NOTA:** Aplique la etiqueta de reemplazo en la pared interior de la carcasa empotrada antes de la instalación.



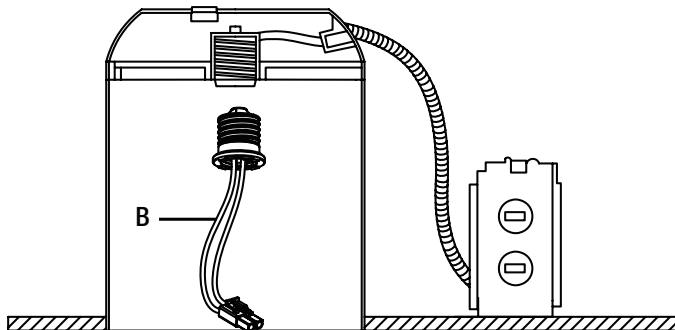
## 2 Ajustar las pinzas de muelle

- El ajuste de fábrica de las pinzas de muelle es para carcasa empotradas cilíndricas de 6 pulg. Para instalar el producto en carcasa de 5 pulg. afloje los dos tornillos de las abrazaderas que sostienen las pinzas de muelle en ambos lados del módulo de luz LED con un destornillador de estrella (no incluido).
- Deslice las abrazaderas que sostienen las pinzas de muelle hacia dentro hasta que los tornillos se encuentren en la posición de 5 pulgadas; luego, ajuste los tornillos con un destornillador de estrella (no incluido).



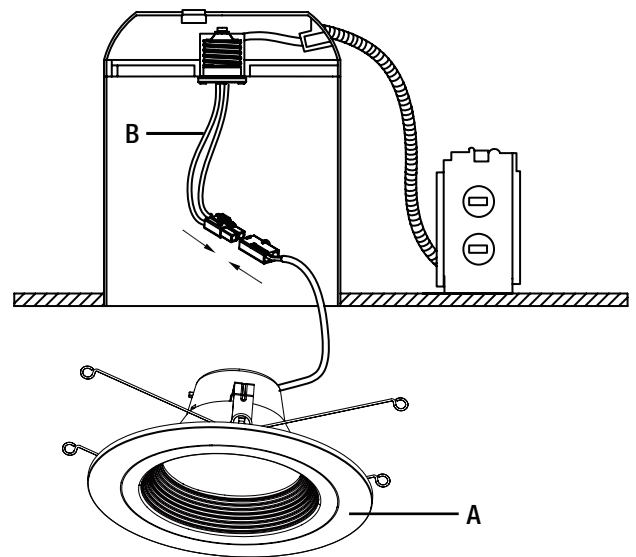
## 3 Conectar el adaptador para portalámpara

- Enrosque el adaptador para portalámpara (B) de base media (E26) en el portalámpara de la carcasa empotrada.



## 4 Hacer las conexiones eléctricas

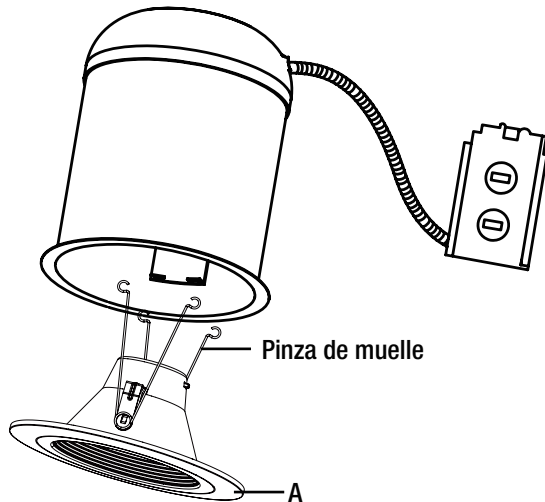
- Conecte el conector del cable del adaptador para portalámpara (B) con el conector del módulo de la luz LED (A).



## Instalación en carcasa de 5 pulg./6 pulg. con orejas (continuación)

### 5 Insertar las pinzas de muelle en la carcasa empotrada

- Comprima las pinzas de muelle del módulo de luz LED (A) e insérteles en las orejas en el interior de la carcasa empotrada.

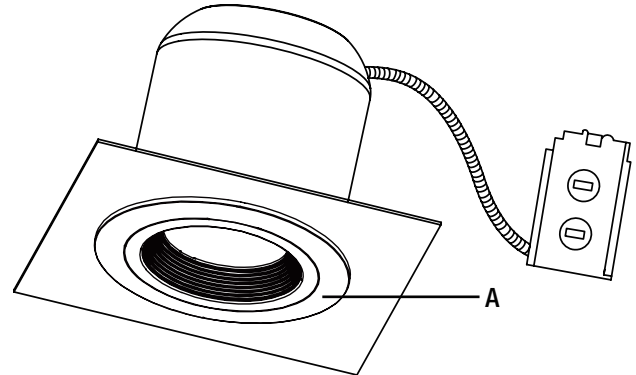


### 6 Empujar el módulo de la luz LED en la carcasa empotrada

- Presione cuidadosamente el módulo de luz LED (A) en la carcasa empotrada hasta que el reborde esté al ras de la superficie del techo.



**AVISO:** Seleccione la temperatura de color preferida de la luz antes de empujar el módulo de luz LED en la carcasa empotrada.



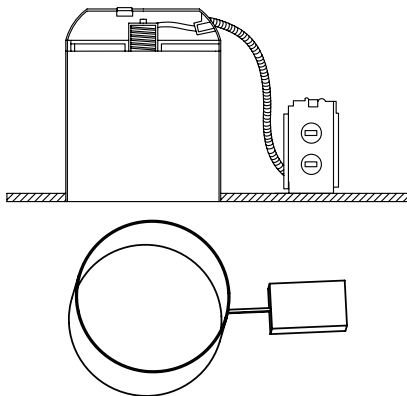
## Instalación en carcasa de 5 pulg./6 pulg. sin orejas - Modelo # 53186401 / 53186311

### 1 Cortar el suministro eléctrico

- Asegúrese de cortar el suministro eléctrico a la carcasa empotrada donde se instalará lámpara. Retire el reborde y la bombilla existentes, para dejar el portalámpara.



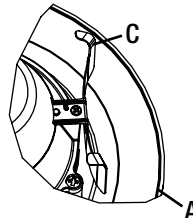
**AVISO:** Aplique la etiqueta de reemplazo en la pared interior de la carcasa empotrada antes de la instalación.



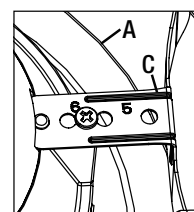
### 2 Colocar las pinzas de muelle con broches de fricción

- Desatornille las dos abrazaderas que sostienen las pinzas de muelle y retírelas.
- Instale dos broches de fricción (C) en el módulo de luz LED (A) con los tornillos que retiró de las abrazaderas de las pinzas de muelle. Para una carcasa empotrada de 5 pulgadas ajuste los tornillos en los orificios marcados con "5". Para una carcasa de 6 pulgadas, apriete los tornillos en los orificios que están a la derecha de "6". Para carcavas de 6.7 pulgadas, elija un orificio a la izquierda de "6" para lograr un mejor ajuste.

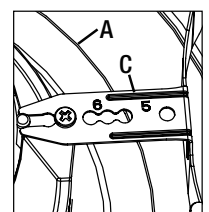
Para carcavas empotradas de 5 pulgadas



Para carcavas empotradas de 6 pulgadas



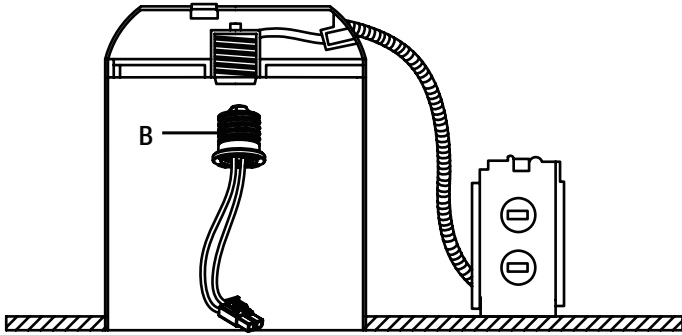
Para carcavas empotradas de más de 6 pulgadas



## Instalación en carcasa de 5 pulg./6 pulg. sin orejas (continuación)

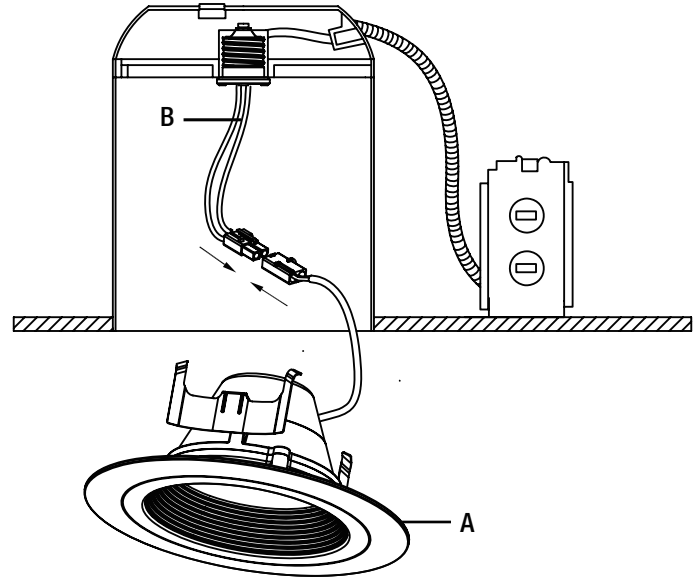
### 3 Conectar el adaptador para portalámpara

- Enrosque el adaptador para portalámpara (B) de base media (E26) en el portalámpara de la carcasa empotrada.



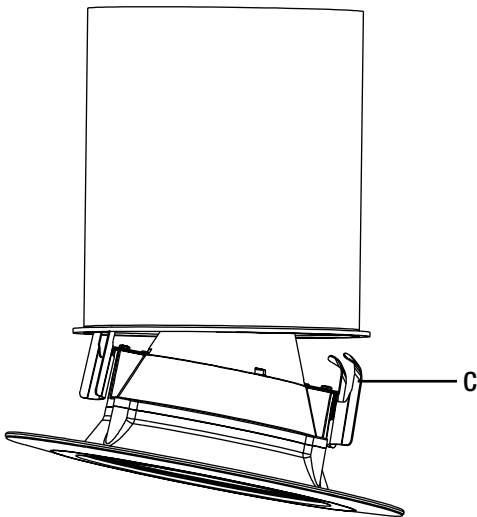
### 4 Hacer las conexiones eléctricas

- Conecte el conector del cable del adaptador para portalámpara (B) con el conector del módulo de la luz LED (A).



### 5 Insertar los broches de fricción en la carcasa empotrada

- Introduzca un lado del proyector en la carcasa empotrada y empuje firmemente contra el broche de fricción (C), al tiempo que introduce el otro lado en la carcasa.

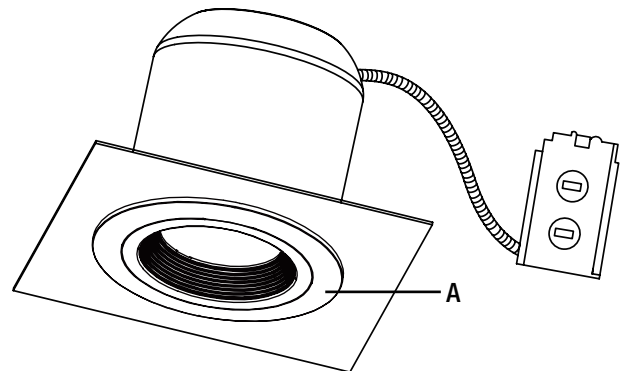


### 6 Empujar el módulo de la luz LED en la carcasa empotrada

- Presione cuidadosamente el módulo de luz LED (A) en la carcasa empotrada hasta que el reborde esté al ras de la superficie del techo.



**AVISO:** Seleccione la temperatura de color preferida de la luz antes de empujar el módulo de luz LED en la carcasa empotrada.



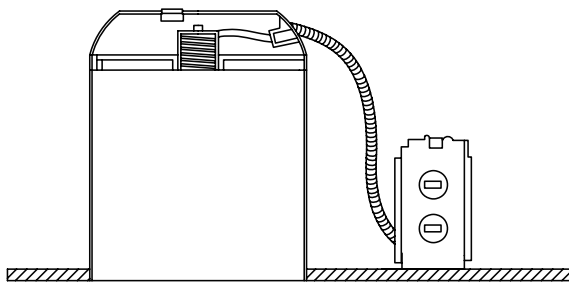
# Instalación en carcasa de 4 pulg. - Modelo # 53185142 / 53185143

## 1 Cortar el suministro eléctrico

- Asegúrese de cortar el suministro eléctrico a la carcasa empotrada donde se instalará lámpara. Retire el reborde y la bombilla existentes, para dejar el portalámpara.

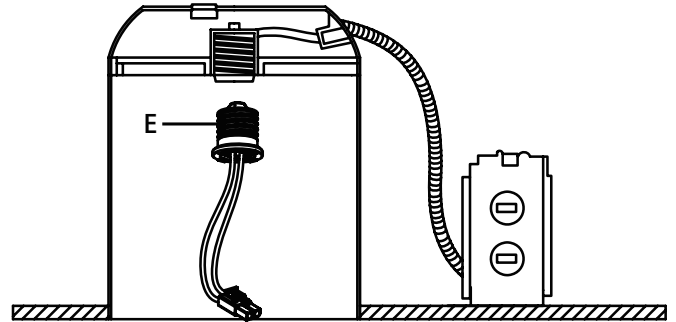


**AVISO:** Aplique la etiqueta de reemplazo en la pared interior de la carcasa empotrada antes de la instalación.



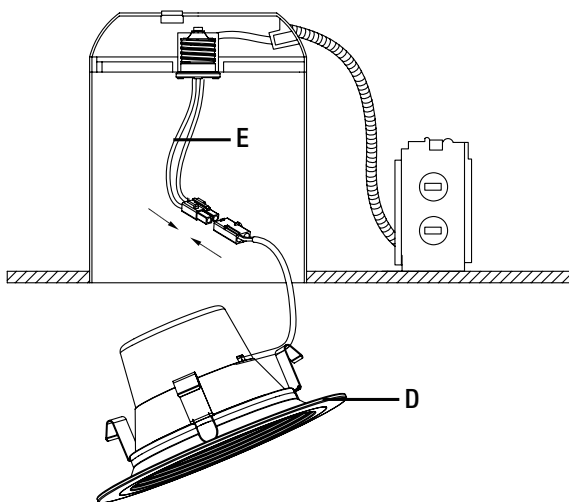
## 2 Conectar el adaptador para portalámpara

- Enrosque el adaptador para portalámpara (E) de base media (E26) en el portalámpara de la carcasa empotrada.



## 3 Hacer las conexiones eléctricas

- Conecte el conector del cable del adaptador para portalámpara (E) con el conector del módulo de la luz LED (D).

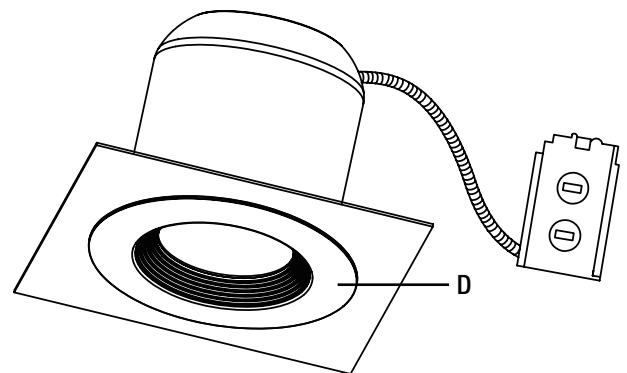


## 4 Empujar el módulo de la luz LED en la carcasa empotrada

- Presione cuidadosamente el módulo de luz LED (A) en la carcasa empotrada hasta que el reborde esté al ras de la superficie del techo.



**AVISO:** Seleccione la temperatura de color preferida de la luz antes de empujar el módulo de luz LED en la carcasa empotrada.



## Ajustar la temperatura del color del luz

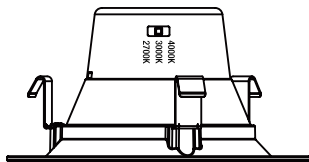
Este proyector le permite ajustar la temperatura de color de la luz en cualquier lugar de blanco cálido a blanco brillante.

- Cambie la temperatura de color correlacionada (CCT) favorita de tres opciones: 2700K/3000K/4000K o 3000K/4000K/5000K.
- Mueva el conmutador en el lado del módulo de luz LED para hacer su selección antes de empujar el módulo de luz LED en la carcasa empotrada.

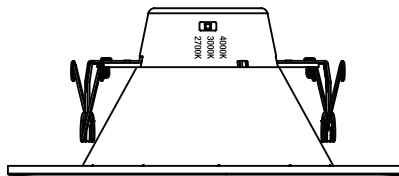


**AVISO:** El ajuste inicial de la temperatura de color correlacionada (CCT) es 2700K o 3000K., que es la luz blanca cálida.

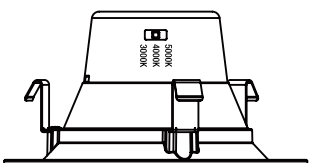
Modelo # 53185142



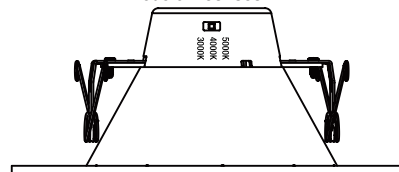
Modelo # 53186401



Modelo # 53185143



Modelo # 53186311



## Cuidado y limpieza



**PRECAUCIÓN:** Antes de limpiar el aparato, desconecte el suministro eléctrico hacia este apagando el cortacircuitos o extrayendo el fusible de la caja de fusibles.

- Limpie el aparato con un paño suave y seco.
- No utilice limpiadores con productos químicos, solventes o abrasivos.

## Solución de problemas



**ADVERTENCIA:** Antes de realizar cualquier trabajo en el aparato, desconecte la electricidad que la alimenta.

Los problemas menores pueden arreglarse sin ayuda de un electricista.

Problema	Posible causa	Medida correctiva
La lámpara no enciende.	El suministro eléctrico está cortado.	Asegúrese de que el suministro eléctrico esté activado.
	El interruptor está apagado.	Asegúrese de que el interruptor esté en la posición de encendido.
	Hay una mala conexión.	Revise para asegurarse de que se hayan conectado los cables de forma correcta. Comuníquese con un electricista calificado.
	Hay un interruptor defectuoso.	Comuníquese con un electricista calificado.
El fusible se quema o salta el interruptor cuando se enciende la lámpara.	Los cables están cruzados o el cable de suministro eléctrico no está puesto a tierra.	Verifique las conexiones de los cables. Comuníquese con un electricista calificado o llame al Centro de Atención al Cliente de ETi Solid State Lighting, Inc. 1-855-384-7754.



**¿Preguntas, problemas, piezas faltantes?  
Llame al Centro de Atención al Cliente de ETi SSL  
9 a.m. – 5 p.m., Hora del Este de EE.UU., de lunes a viernes.  
1-855-ETI-SSL (1-855-384-7754)**

**[www.ETiSSL.com](http://www.ETiSSL.com)**

**Conserve este manual para uso futuro.**