





# Flushmounts

Project:   
 Part Number:

## Flushmounts - Single CCT

Part #	Model #	Description	Replaces	LED Watts	Lumens	CCT	Product Dim.	CRI	Input Voltage	Case Pack
FM-12-14-827-MV-N-B	54436201	12" Low Profile, Non-Dimmable	75w	14w	980	2700K	11.4 x 11.4 x 2.9 in.	80	120-277V	6
FM-12-14-840-MV-N-B	54436241	12" Low Profile, Non-Dimmable	75w	14w	1000	4000K	11.4 x 11.4 x 2.9 in.	80	120-277V	6
FM-16-22-827-MV-N-B	54437201	16" Low Profile, Non-Dimmable	100w	22w	1500	2700K	15.4 x 15.4 x 2.9 in.	80	120-277V	4
FM-16-22-840-MV-N-B	54437241	16" Low Profile, Non-Dimmable	100w	22w	1600	4000K	15.4 x 15.4 x 2.9 in.	80	120-277V	4
FM-7-11-840-SV-N-O*	54663142	7" Low Profile - Non-Dimmable	60w	11.5w	810	4000K	7 x 7 x 1.7 in.	80	120V	6
FM-11-14-840-SV-D-C*	54643142	11" Brushed Nickel Trim - TRIAC Dimmable	75w	14w	980	4000K	11 x 11 x 4.2 in.	80	120V	4
FM-15-22-840-SV-D-C*	54620142	15" Brushed Nickel Trim - TRIAC Dimmable	100w	22w	1550	4000K	15.3 x 15.3 x 3.5 in.	80	120V	3
FM-12-14-840-SV-D-E*	54074343	12" Reva Stepped Lens - TRIAC Dimmable	75w	14w	1000	4000K	12 x 12 x 3.5 in.	80	120V	4
FM-16-22-840-SV-D-E*	54075343	16" Reva Stepped Lens - TRIAC Dimmable	100w	22w	1640	4000K	16 x 16 x 3.7 in.	80	120V	3
FM-24-40-840-SV-D-E*	54614242	24" Reva Stepped Lens - TRIAC Dimmable	300w	40w	2900	4000K	24 x 24 x 4.6 in.	80	120V	2

## PACKAGING SPECIFICATIONS

### Flushmounts - Color Preference

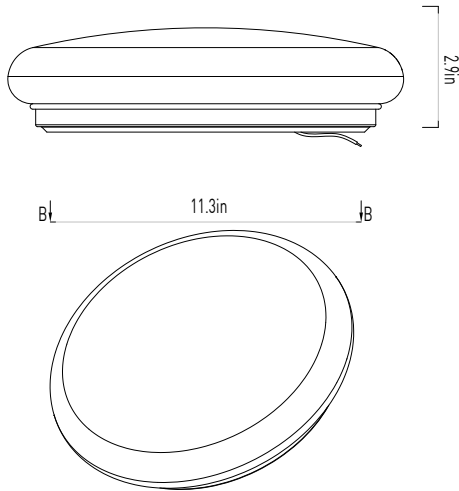
Part #	Model #	UPC	UCC	Inner Carton Dimensions	Inner Carton Weight	Shipper/Master Carton Dimensions	Shipper/Master Carton Weight
FM-12-16-902-MV-D-B	54436511	849489006505	50849489006503	12.7 x 3.2 x 12.6 in.	1.3 lbs.	20.4 x 13.2 x 13.3 in.	12.0 lbs.
FM-12-16-902-MV-D-B-OS	54436511-I	849489006659	50849489006654	12.7 x 3.2 x 12.6 in.	1.3 lbs.	20.4 x 13.2 x 13.3 in.	12.0 lbs.
FM-16-24-902-MV-D-B	54437511	849489006512	50849489006517	16.6 x 3.2 x 16.5 in.	2.1 lbs.	17.2 x 13.7 x 17.3 in.	13.0 lbs.
FM-16-24-902-MV-D-B-OS	54437511-I	849489006666	50849489006661	16.6 x 3.2 x 16.5 in.	2.1 lbs.	17.2 x 13.7 x 17.3 in.	13.0 lbs.
FM-11-14-802-SV-D-L	54450111	849489001432	50849489001437	12.7 x 4.0 x 12.6 in.	1.8 lbs.	25.4 x 13.2 x 13.5 in.	12.97 lbs.
FM-11-14-802-SV-D-K	54450311	849489001470	50849489001475	12.7 x 3.8 x 12.6 in.	1.8 lbs.	24.2 x 13.3 x 13.5 in.	13.11 lbs.
FM-11-14-802-SV-D-J	54450511	849489001494	50849489001499	12.7 x 4.0 x 12.6 in.	1.8 lbs.	25.4 x 13.2 x 13.5 in.	12.82 lbs.
FM-15-22-802-SV-D-M	54451211	849489001463	50849489001468	16.6 x 3.6 x 16.6 in.	3 lbs.	17.3 x 15.4 x 17.4 in.	14.15 lbs.
FM-15-22-802-SV-D-K	54451311	849489001487	50849489001482	16.6 x 3.8 x 16.6 in.	3 lbs.	17.3 x 16.2 x 17.4 in.	14.3 lbs.
FM-15-22-802-SV-D-J	54451511	849489001500	50849489001505	16.6 x 4.0 x 16.6 in.	3 lbs.	17.3 x 17.0 x 17.4 in.	14.16 lbs.
FM-15-16-802-SV-D-BT	54620313	849489007533	50849489007538	16.6 x 4.6 x 16.6 in.	3.8 lbs.	17.3 x 10.0 x 17.4 in.	17.3 lbs.

### Flushmounts - Single CCT

FM-12-14-827-MV-N-B	54436201	849489001234	50849489001239	12.3 x 3.2 x 12.4 in.	1.6 lbs.	20.5 x 13 x 13.2 in.	10.8 lbs.
FM-12-14-840-MV-N-B	54436241	849489001241	50849489001246	12.3 x 3.2 x 12.4 in.	1.6 lbs.	20.5 x 13 x 13.2 in.	10.8 lbs.
FM-16-22-827-MV-N-B	54437201	849489001258	50849489001253	16.3 x 3.2 x 16.4 in.	2.6 lbs.	16.9 x 13.9 x 17.1 in.	11.9 lbs.
FM-16-22-840-MV-N-B	54437241	849489001265	50849489001260	16.3 x 3.2 x 16.4 in.	2.6 lbs.	16.9 x 13.9 x 17.1 in.	11.9 lbs.
FM-7-11-840-SV-N-O	54663142	849489000626	50849489000621	8.2 x 2.8 x 8.3 in.	1 lbs.	17.8 x 8.5 x 8.9 in.	6.92 lbs.
FM-11-14-840-SV-D-C	54643142	836607009395	50836607009390	12.5 x 4.4 x 12.7 in.	2.0 lbs.	18.4 x 13.0 x 13.6 in.	9.68 lbs.
FM-15-22-840-SV-D-C	54620142	836607009371	50836607009376	17.3 x 4.4 x 17.4 in.	3.4 lbs.	17.6 x 14.1 x 18.0 in.	11.66 lbs.
FM-12-14-840-SV-D-E	54074343	849489000220	50849489000225	13.5 x 4.5 x 13.7 in.	1.7 lbs.	18.5 x 14.0 x 14.3 in.	8.19 lbs.
FM-16-22-840-SV-D-E	54075343	849489000237	50849489000232	17.8 x 4.6 x 18.0 in.	2.9 lbs.	18.4 x 14.5 x 18.6 in.	10.78 lbs.
FM-24-40-840-SV-D-E	54614242	849489006642	50849489006647	26.0 x 6.0 x 26.1 in.	7 lbs.	26.5 x 12.8 x 27.2 in.	17.0 lbs.

## DIMENSIONS

MODEL # 54436511



MODEL # 54437511

