

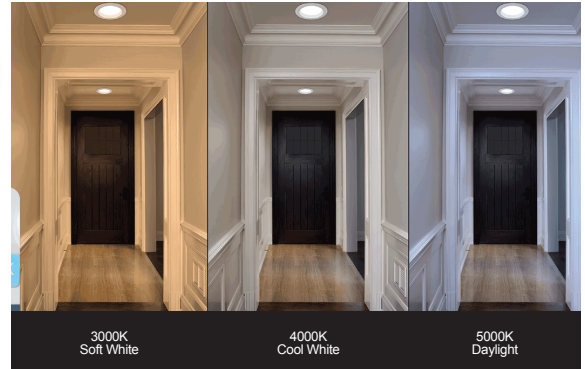
Flushmounts

With COLOR PREFERENCE[®] Technology

Available in Low Profile and Four Decorative Styles



Sizes choices up to 16"



ETi[®] ADVANTAGE



LED Lighting - Only from ETi!

COLOR PREFERENCE[®] technology* allows the installer to easily select the preferred CCT from three or more settings!



COLOR PREFERENCE[®]

13 COLOR PREFERENCE[®] Models to Choose From!

- Eliminates need to order and stock multiple color temperature models for each design
- Broadest product assortment available with 5 decorative lens designs each with different size options up to 16"

Superior Optical Performance & Electronic Design

- Proprietary light engine eliminates LED "hot spots"
- Dimmable models are available utilizing either TRIAC or 0-10V dimmable drivers as well as models integrated with step dimming and on/off motion sensors
- Durable polycarbonate globe will not yellow over time and is shatterproof

Robust, Durable Construction

- Durable polycarbonate globe is highly impact resistant and will not yellow over time
- Powder coated, heavier gauge mounting housing means long corrosion free life

- ✓ Energy Star[®] approved
- ✓ Suitable for both dry & damp locations
- ✓ 5 Year Warranty, L70 >50,000 Hrs

*USA Patent 10,091,855, 10,462,871, 10,492,262

Flushmounts

Project:
Part Number:



LOW PROFILE FLUSHMOUNT
w/COLOR PREFERENCE® Technology
12" and 16" models



CAROUSEL® DECORATIVE FLUSHMOUNT
w/COLOR PREFERENCE® Technology
11" and 15" models



"FALLS" DECORATIVE FLUSHMOUNT
w/COLOR PREFERENCE® Technology
11" Only



"GLACIER" DECORATIVE FLUSHMOUNT
w/COLOR PREFERENCE® Technology
11" and 15" models



"CLIFF" DECORATIVE FLUSHMOUNT
w/COLOR PREFERENCE® Technology
11" and 15" models



15" WITH BLUETOOTH SPEAKER FLUSHMOUNT
w/COLOR PREFERENCE®

PART NUMBER GUIDE

CATEGORY	SIZE	WATTS	CRI/CCT	VOLTAGE	DIMMABILITY	ID	UPGRADE FEATURE
FM							

PRODUCT/SKU DETAILS

GENERAL SPECIFICATIONS:

Voltage	120-277V or 120V*	Frequency	50/60 Hz.	CRI	90 or 80*
Power Factor	>.90	THD	< 20%	Rating	cULus Damp
Temperature	-4°F to +113°F	Rated Life	50,000 hrs.	Warranty	5 Year Limited

ORDERING GUIDE

Flushmounts - Color Preference

Part #	Model #	Description	Replaces	LED Watts	Lumens	CCT	Product Dim.	CRI	Input Voltage	Case Pack
FM-12-10-902-MV-D-B	54436511	12" COLOR PREFERENCE® Low Profile, 0-10V Dimmable	75w	10w	1000	3000K/4000K/5000K	11.3 x 11.3 x 2.9 in.	90	120-277V	6
FM-12-10-902-MV-D-B-OS	54436511-I	12" COLOR PREFERENCE® Low Profile with Motion Sensor, 0-10V Dimmable	75w	10w	1000	3000K/4000K/5000K	11.3 x 11.3 x 2.9 in.	90	120-277V	6
FM-16-24-902-MV-D-B	54437511	16" COLOR PREFERENCE® Low Profile, 0-10V Dimmable	100w	24w	1600	3000K/4000K/5000K	15.2 x 15.2 x 2.9 in.	90	120-277V	4
FM-16-24-902-MV-D-B-OS	54437511-I	16" COLOR PREFERENCE® Low Profile with Step Dimming Motion Sensor, 0-10V Dimmable	100w	24w	1600	3000K/4000K/5000K	15.2 x 15.2 x 2.9 in.	90	120-277V	4
FM-11-14-802-SV-D-L*	54450111	11" COLOR PREFERENCE® Falls - TRIAC Dimmable	75w	14w	910	3000K/4000K/5000K	10.7 x 10.7 x 3.5 in.	80	120V	6
FM-11-14-802-SV-D-K*	54450311	11" COLOR PREFERENCE® Cliff - TRIAC Dimmable	75w	14w	910	3000K/4000K/5000K	11 x 11 x 3.4 in.	80	120V	6
FM-11-14-802-SV-D-J*	54450511	11" COLOR PREFERENCE® Carousel - TRIAC Dimmable	75w	14w	910	3000K/4000K/5000K	10.7 x 10.7 x 3.7 in.	80	120V	6
FM-15-22-802-SV-D-M*	54451211	15" COLOR PREFERENCE® Glacier - TRIAC Dimmable	100w	22w	1450	3000K/4000K/5000K	14.9 x 14.9 x 3.6 in.	80	120V	4
FM-15-22-802-SV-D-K*	54451311	15" COLOR PREFERENCE® Cliff - TRIAC Dimmable	100w	22w	1450	3000K/4000K/5000K	14.9 x 14.9 x 3.5 in.	80	120V	4
FM-15-22-802-SV-D-J*	54451511	15" COLOR PREFERENCE® Carousel - TRIAC Dimmable	100w	22w	1450	3000K/4000K/5000K	14.8 x 14.8 x 3.6 in.	80	120V	4
FM-15-16-802-SV-D-BT*	54620313	15" COLOR PREFERENCE® w/ Bluetooth® Speaker - TRIAC Dimmable	100w	28w	1600	3000K/4000K/5000K	15.3 x 15.3 x 3.7 in.	80	120V	2

Flushmounts

Project:
 Part Number:

Flushmounts - Single CCT

Part #	Model #	Description	Replaces	LED Watts	Lumens	CCT	Product Dim.	CRI	Input Voltage	Case Pack
FM-12-14-827-MV-N-B	54436201	12" Low Profile, Non-Dimmable	75w	14w	980	2700K	11.4 x 11.4 x 2.9 in.	80	120-277V	6
FM-12-14-840-MV-N-B	54436241	12" Low Profile, Non-Dimmable	75w	14w	1000	4000K	11.4 x 11.4 x 2.9 in.	80	120-277V	6
FM-16-22-827-MV-N-B	54437201	16" Low Profile, Non-Dimmable	100w	22w	1500	2700K	15.4 x 15.4 x 2.9 in.	80	120-277V	4
FM-16-22-840-MV-N-B	54437241	16" Low Profile, Non-Dimmable	100w	22w	1600	4000K	15.4 x 15.4 x 2.9 in.	80	120-277V	4
FM-7-11-840-SV-N-O*	54663142	7" Low Profile - Non-Dimmable	60w	11.5w	810	4000K	7 x 7 x 1.7 in.	80	120V	6
FM-11-14-840-SV-D-C*	54643142	11" Brushed Nickel Trim - TRIAC Dimmable	75w	14w	980	4000K	11 x 11 x 4.2 in.	80	120V	4
FM-15-22-840-SV-D-C*	54620142	15" Brushed Nickel Trim - TRIAC Dimmable	100w	22w	1550	4000K	15.3 x 15.3 x 3.5 in.	80	120V	3
FM-12-14-840-SV-D-E*	54074343	12" Reva Stepped Lens - TRIAC Dimmable	75w	14w	1000	4000K	12 x 12 x 3.5 in.	80	120V	4
FM-16-22-840-SV-D-E*	54075343	16" Reva Stepped Lens - TRIAC Dimmable	100w	22w	1640	4000K	16 x 16 x 3.7 in.	80	120V	3
FM-24-40-840-SV-D-E*	54614242	24" Reva Stepped Lens - TRIAC Dimmable	300w	40w	2900	4000K	24 x 24 x 4.6 in.	80	120V	2

PACKAGING SPECIFICATIONS

Flushmounts - Color Preference

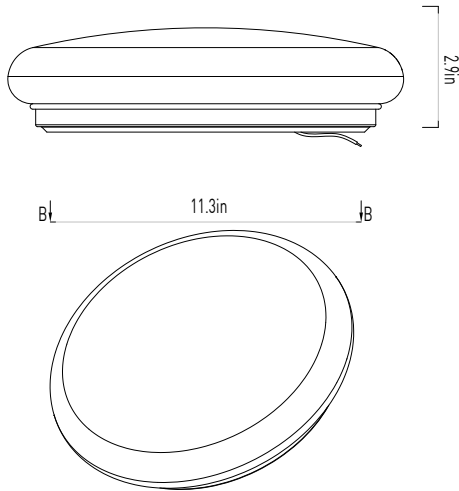
Part #	Model #	UPC	UCC	Inner Carton Dimensions	Inner Carton Weight	Shipper/Master Carton Dimensions	Shipper/Master Carton Weight
FM-12-10-902-MV-D-B	54436511	849489006505	50849489006503	12.7 x 3.2 x 12.6 in.	1.3 lbs.	20.4 x 13.2 x 13.3 in.	12.0 lbs.
FM-12-10-902-MV-D-B-OS	54436511-I	849489006659	50849489006654	12.7 x 3.2 x 12.6 in.	1.3 lbs.	20.4 x 13.2 x 13.3 in.	12.0 lbs.
FM-16-24-902-MV-D-B	54437511	849489006512	50849489006517	16.6 x 3.2 x 16.5 in.	2.1 lbs.	17.2 x 13.7 x 17.3 in.	13.0 lbs.
FM-16-24-902-MV-D-B-OS	54437511-I	849489006666	50849489006661	16.6 x 3.2 x 16.5 in.	2.1 lbs.	17.2 x 13.7 x 17.3 in.	13.0 lbs.
FM-11-14-802-SV-D-L	54450111	849489001432	50849489001437	12.7 x 4.0 x 12.6 in.	1.8 lbs.	25.4 x 13.2 x 13.5 in.	12.97 lbs.
FM-11-14-802-SV-D-K	54450311	849489001470	50849489001475	12.7 x 3.8 x 12.6 in.	1.8 lbs.	24.2 x 13.3 x 13.5 in.	13.11 lbs.
FM-11-14-802-SV-D-J	54450511	849489001494	50849489001499	12.7 x 4.0 x 12.6 in.	1.8 lbs.	25.4 x 13.2 x 13.5 in.	12.82 lbs.
FM-15-22-802-SV-D-M	54451211	849489001463	50849489001468	16.6 x 3.6 x 16.6 in.	3 lbs.	17.3 x 15.4 x 17.4 in.	14.15 lbs.
FM-15-22-802-SV-D-K	54451311	849489001487	50849489001482	16.6 x 3.8 x 16.6 in.	3 lbs.	17.3 x 16.2 x 17.4 in.	14.3 lbs.
FM-15-22-802-SV-D-J	54451511	849489001500	50849489001505	16.6 x 4.0 x 16.6 in.	3 lbs.	17.3 x 17.0 x 17.4 in.	14.16 lbs.
FM-15-16-802-SV-D-BT	54620313	849489007533	50849489007538	16.6 x 4.6 x 16.6 in.	3.8 lbs.	17.3 x 10.0 x 17.4 in.	17.3 lbs.

Flushmounts - Single CCT

FM-12-14-827-MV-N-B	54436201	849489001234	50849489001239	12.3 x 3.2 x 12.4 in.	1.6 lbs.	20.5 x 13 x 13.2 in.	10.8 lbs.
FM-12-14-840-MV-N-B	54436241	849489001241	50849489001246	12.3 x 3.2 x 12.4 in.	1.6 lbs.	20.5 x 13 x 13.2 in.	10.8 lbs.
FM-16-22-827-MV-N-B	54437201	849489001258	50849489001253	16.3 x 3.2 x 16.4 in.	2.6 lbs.	16.9 x 13.9 x 17.1 in.	11.9 lbs.
FM-16-22-840-MV-N-B	54437241	849489001265	50849489001260	16.3 x 3.2 x 16.4 in.	2.6 lbs.	16.9 x 13.9 x 17.1 in.	11.9 lbs.
FM-7-11-840-SV-N-O	54663142	849489000626	50849489000621	8.2 x 2.8 x 8.3 in.	1 lbs.	17.8 x 8.5 x 8.9 in.	6.92 lbs.
FM-11-14-840-SV-D-C	54643142	836607009395	50836607009390	12.5 x 4.4 x 12.7 in.	2.0 lbs.	18.4 x 13.0 x 13.6 in.	9.68 lbs.
FM-15-22-840-SV-D-C	54620142	836607009371	50836607009376	17.3 x 4.4 x 17.4 in.	3.4 lbs.	17.6 x 14.1 x 18.0 in.	11.66 lbs.
FM-12-14-840-SV-D-E	54074343	849489000220	50849489000225	13.5 x 4.5 x 13.7 in.	1.7 lbs.	18.5 x 14.0 x 14.3 in.	8.19 lbs.
FM-16-22-840-SV-D-E	54075343	849489000237	50849489000232	17.8 x 4.6 x 18.0 in.	2.9 lbs.	18.4 x 14.5 x 18.6 in.	10.78 lbs.
FM-24-40-840-SV-D-E	54614242	849489006642	50849489006647	26.0 x 6.0 x 26.1 in.	7 lbs.	26.5 x 12.8 x 27.2 in.	17.0 lbs.

DIMENSIONS

MODEL # 54436511



MODEL # 54437511

