

DATE:	PROJECT:
TYPE:	NOTES:
CATALOG #:	

## 13" FLUSH MOUNT CEILING LIGHT

WITH TWISTFIT MOUNTING SYSTEM  
3 CCT COLOR PREFERENCE® | NIGHTLIGHTR™

### KEY FEATURES

- Low profile design with decorative beveled trim
- 155,000-hour life
- TRIAC Dimming
- Switch to night light (Amber 2000K) using wall switch or dimmer
- 3 field adjustable CCTs (3000K/4000K/5000K)
- 1.5" surface profile

### SPECIFICATIONS

#### Construction

- Contemporary ultra slim low profile fixture with curved beveled edge design and white finish
- Frosted Lens

#### Optics

- Acrylic diffuser lens for zero pixelation and overall visual comfort
- Uniform, even light distribution

#### Installation and Function

- Driver is specifically designed with two tabs to twist and lock into place on the TwistFit mounting plate
- Field select one of three CCTs at installation with an integral switch located on back of lamp.
- Suitable for both new construction with J-box bracket or remodel installations
- Optional torsion spring brackets that enable installation into an existing 5" or 6" recessed can (sold separately)

#### Electrical

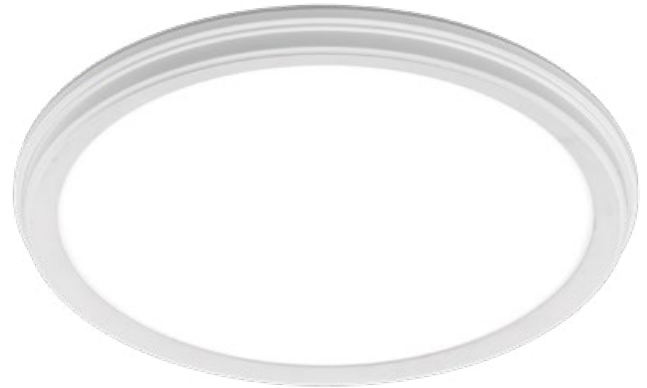
- 155,000 hour LEDs at L70 for reduced maintenance
- Operates at 120V, 60Hz
- Operating temperature: -4°F ~ 113°F
- TRIAC dimming, down to 10%\*
- ETI's patented 3 CCT COLOR PREFERENCE® allowing for easy field-adjustable color temperature selection with switch located on product back

\* Always consult dimmer manufacturer for proper use, installation and compatibility (some dimmers may require a neutral in the wall box).

#### Warranty

5-Year Standard Warranty. See terms at: [ETISSL.com/warranty/](https://ETISSL.com/warranty/)

KEY DATA	
Lumen Range	3164 – 3304
Wattage Range	38.9 – 39.0
Efficacy Range (LPW)	74-97
Reported Life (Hours)	L70 /155,000



#### Certifications & Test Data

- All luminaires are built to UL 1598 standards and have the appropriate UL labels and information on product
- Damp location rated
- IC Rated for direct contact with insulation
- Suitable for use in clothes closets when installed in accordance to NEC Section 410.16 spacing requirements



# 13" Flush Mount Ceiling Light WITH TWISTFIT MOUNTING SYSTEM | 3 CCT COLOR PREFERENCE® | NIGHTLIGHTR™

## CATALOG LOGIC

<b>FMNL</b>	-	<b>13IN</b>	-	<b>800LM</b>	-	<b>8</b>	-	<b>CP3</b>	-	<b>SV</b>	-	<b>TD</b>	-	<b>WT</b>
Series		Size		Lumens (Lumen Package)		CRI		CCT		Voltage		Dimming		Finish
<b>FMNL</b> Flush Mount with Nightlighter®		<b>13IN</b> (13" Dia)		<b>1350LM</b>		<b>8</b> 80CRI (min.)		<b>CP3</b> 3 CCT Color Preference® 3/4/5000K		<b>SV</b> Single-Volt 120V		<b>TD</b> TRIAC Dimming		<b>WT</b> White

Notes:

1. Factory set at 3000K. Installing contractor responsible for ensuring desired CCT is selected during installation.

## STOCK ORDERING INFORMATION (typical 2-3 day shipment lead time)<sup>1</sup>

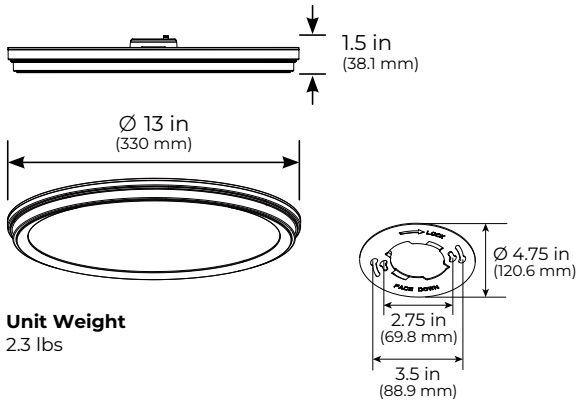
Catalog Part Number	Order #	Product Description	Case QTY	Wattage (Nominal)	Nightlight Wattage	Lumen Pkg	Delivered Lumens <sup>2</sup>	Efficacy (LPW)	CCT	CRI	Volt.	Dim
FMNL-13IN-1350LM-8-CP3-SV-TD-WT	56576111	13" Flushmount with White Trim & Nightlight	4	17	4.5	1350	1688	101	3000K	80+	120V	TRIAC
							1792	110	4000K			
							1758	104	5000K			

Notes: 1. Stock SKUs typically ship in 24-48 hours upon receipt of an approved released order 2. For more delivered lumens and test data see on page 3, or visit ETISSL.com

## AVAILABLE STOCK ACCESSORIES (must be ordered separately, field installed)

Order Number	Description	Details
95657611101 (FLDL-RETROFITKIT)	Retrofit Torsion Spring with E26 Adapter Kit	
90600760 (FMLP-JBOX)	Junction Box	

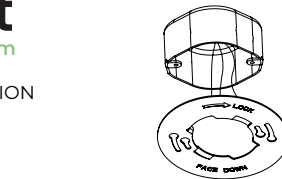
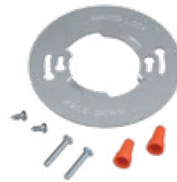
## DIMENSIONS / DETAILS



## MOUNTING (Included)



QUICK AND EASY INSTALLATION



Included:

- Mounting Plate
- Mounting Screws
- Mounting Plate Screws
- Wire Connectors



## Mounting Accessories (sold separately)



Retrofit E26  
Socket Adapter &  
Torsion Springs

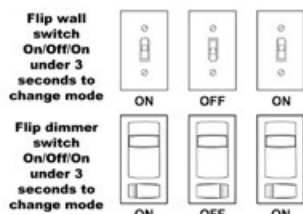


J-Box with Clips



Factory set  
at 3000K

Regular Light Mode > Night Light Mode



**PERFORMANCE / Data**

**Lumen Maintenance**

Ambient Temp.	TM-21 Lumen Maintenance (54,000 hours)
25° C (77° F)	> 89.34%
Ambient Temp.	TM-21 Theoretical L70 (hours)
25° C (77° F)	155,000

**Load Information**

<b>Power Factor</b>	>.90
<b>THD</b>	< 20%
<b>Frequency</b>	60 Hz
<b>Sound Rating</b>	< 20 dBA
<b>Low Temp Start / Max Temp</b>	-20° C (-4° F) / 45° C (113° F)

**PHOTOMETRIC SAMPLE**

**Luminaire Data: at 3000K**

CCT & CRI	<b>3000K, 80+ CRI</b>
Delivered Lumens	<b>1687.8</b>
Wattage	<b>16.7W</b>
Efficacy	<b>101</b>
Beam Angle	<b>50%=112°</b> <b>10%=161°</b>
Spacing	<b>0° = 1.24 90° = 1.25</b>

Photometric values based on tests performed in compliance with LM-63 & LM-79

**Candela Plot**

