

# Emergency LED Driver

EMUFO Series

(Fixture + GEN2 BBU Only)

For wiring to the led driver's input

## Features

- UL Listed for US and CANADA
- Listed to UL924 and tested to CSA C22.2 NO.141 Field or factory installation
- High output voltage
- Low energy consumption CEC Title20 compliance
- Constant output power
- Self-testing
- Battery:over temperature protection
- Remote Test Switch: Distance for 98ft (This accessory is optional)

## Specifications

- Input Voltage:100~347Vac, 50/60Hz
- Input Current:200mA max.
- Input Power Rating:12W max.
- Recharge Time:24Hrs
- Output Voltage:170Vdc
- Emergency Power:15W/25W/40W
- Discharge Time:1.5H
- Battery:Ni-MH or Li-ion
- Warranty:5 Years
- Ambient Temp:32~122°F(0~50°C)
- Weight:4.14 lbs(1.88kg)

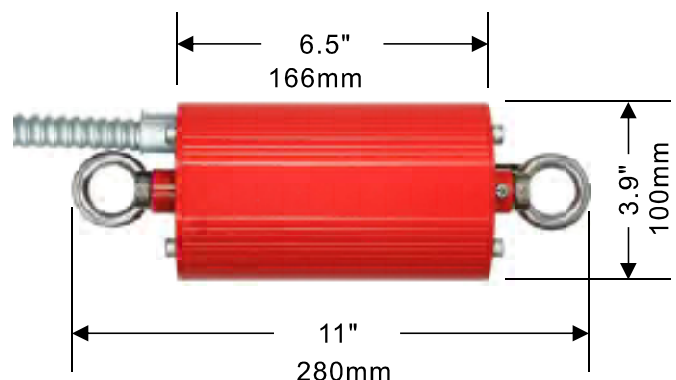
## Model NO.

Model NO.	Emergency Power
EMUFO-15170-YY	15W
EMUFO-25170-YY	25W
EMUFO-40170-YY	40W



## Dimensions

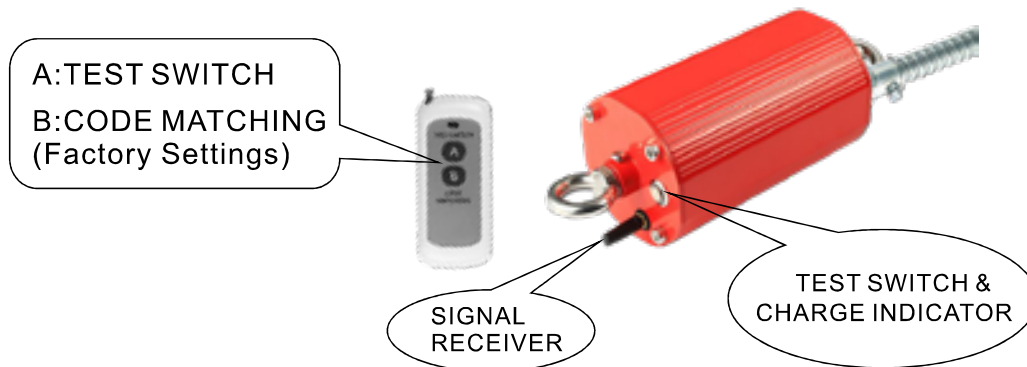
Flexible Conduit : 13"



## SELF-TEST

- The emergency LED driver contains a control/monitor circuit which will perform a 30-second discharge test once a month and a fully discharge test once a year. At this time, the unit simulate an AC power failure and automatically switch to emergency mode. During routine testing, the unit will monitor the operation of the LED load, battery voltage, and emergency duration, if the unit detect any problems, the indicator will flash quickly.

## Function



## Indicator Light

- AC Operation, indicator light will keep on
- Emergency Operation, indicator light flash slowly (light on for 2 seconds, light off for 2 seconds)
- In a failure, indicator light flash quickly (light on for 0.2 seconds, light off for 0.2 seconds)

## Test Switch

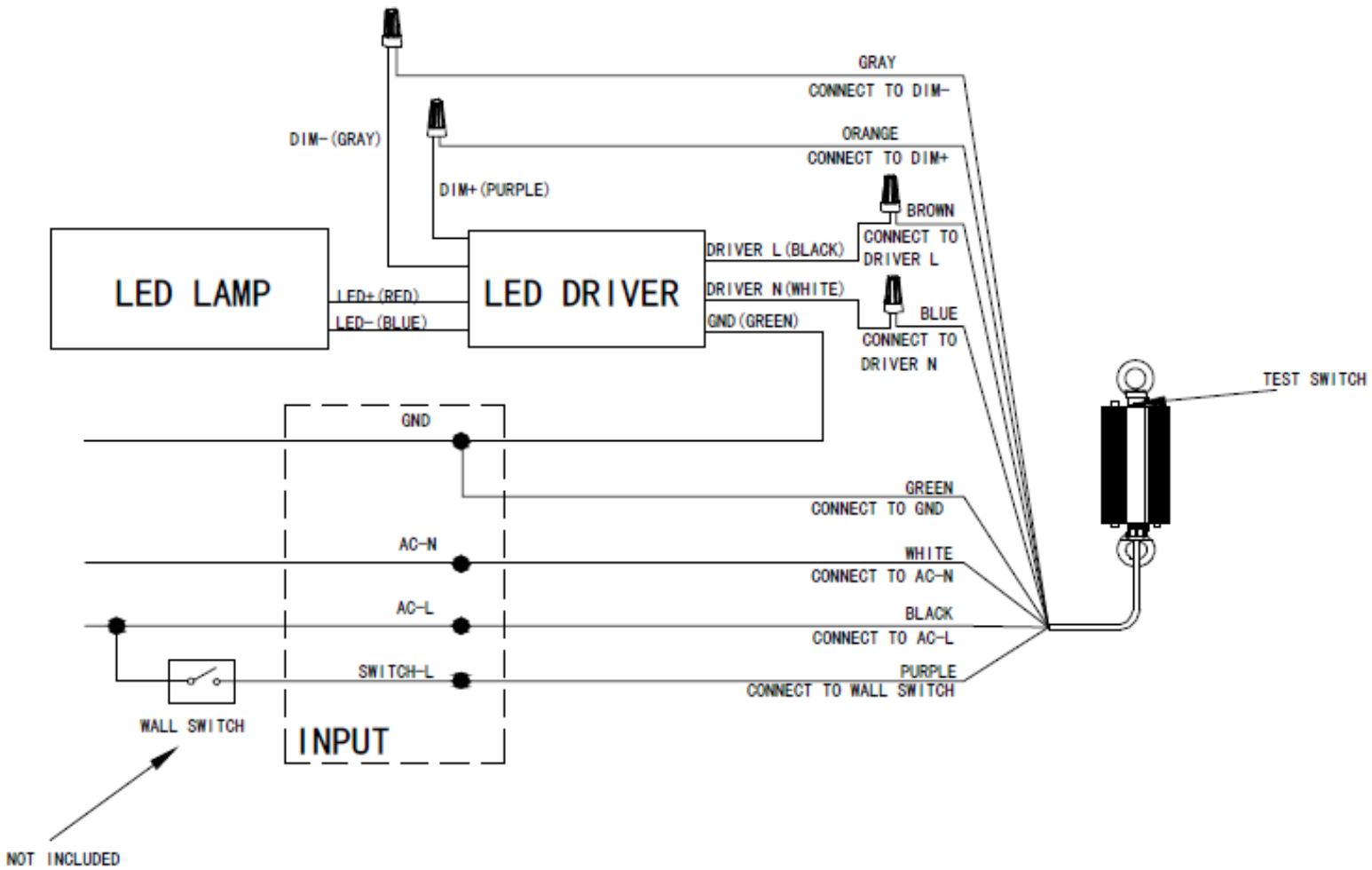
- In AC operation, press the test switch or the button A on remote controller once, emergency for 30 seconds
- In AC operation, press the test switch or the button A on remote controller twice within 2 seconds, emergency until battery is fully discharged
- In emergency operation, press the test switch once or the button A on remote controller once, will turn off both the emergency and the lamp and indicator light will go out at the same time

## Wiring Diagram

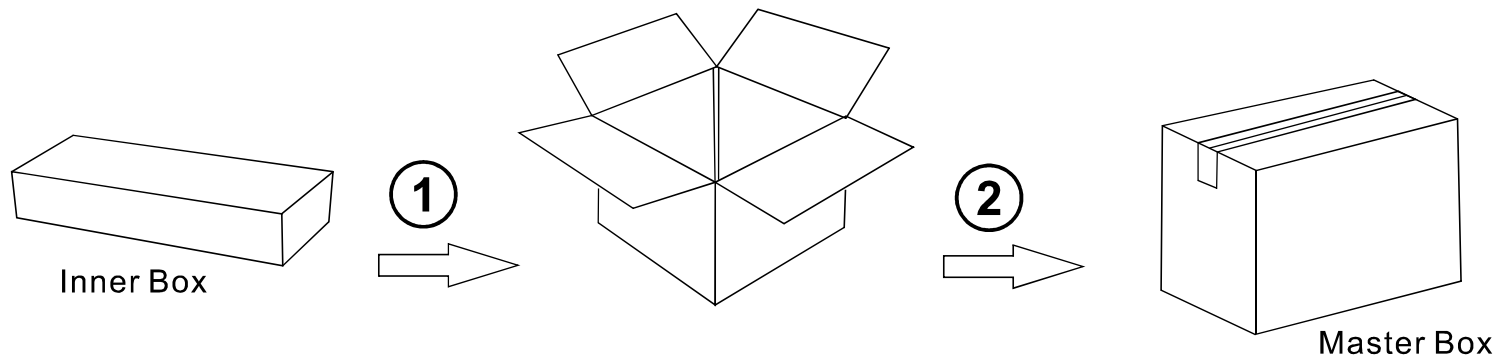
### **CAUTION:**

- During AC operation, remember no touch or remove any wires in case of electric shock.
- During emergency operation, before touching and disconnecting the wires, remember to press the test button again to make the led lamp and indicator light off to avoid electric shock .
- The voltage input to the dimmable wires(DIM+,DIM-) of emergency LED driver must less than 20Vdc.
- For emergency LED driver of EMUFO-15170-YY/EMUFO-25170-YY better work with LED lamp not more than 150W, for EMUFO-40170-YY must work with LED lamp not more than 300W.
- This emergency LED driver only work with LED lamp with dimmable function.

## A) Fixture + GEN2 BBU Only



## Package



## Package information are as following forms

Power	Length(inch)	Width(inch)	Height(inch)	G.W(kg)	N.W(kg)	QTY(pcs)
15W	16.06"	15.47"	10.31"	10	6	4
25W	16.06"	15.47"	10.31"	10.5	7	4
40W	16.06"	15.47"	10.31"	11	7.5	4