

(Fixture + GEN3 BBU + OC Sensor or 0-10V)

For wiring to the led driver's input



RoHS
COMPLIANT

Features

- UL Listed for us and Canada
- Listed to UL924 and tested to CSA C22.2 NO.141 Field or factory installation
- High voltage output
- Low energy consumption CEC compliance
- Constant output power
- Self-testing
- Battery: over temperature protection

Specifications

- Input Voltage: 100~347Vac, 50/60Hz
- Input Current: 200mA max.
- Input Power Rating: 12W max.
- Output Voltage: 170Vdc
- Emergency Power: 15W/25W/40W
- Recharge Time: 24Hrs
- Discharge Time: 90 minute
- Battery: Li-ion
- Warranty: 5 Years
- Ambient Temp: 32~122°F (0~50°C)
- Weight: 2.66 lbs (1.2kg)

Model No.

Model No.	Output Voltage	Emergency Power	Battery Type
EMA15FY-170	170Vdc	15W	Li-ion
EMA25FY-170		25W	
EMA40FY-170		40W	

Function

Indicator Light

- AC Operation, indicator light will keep on
- Emergency Operation, indicator light flash slowly (light on for 2 seconds, light off for 2 seconds)
- In a failure, indicator light flash quickly (light on for 0.2 seconds, light off for 0.2 seconds)

Test Switch

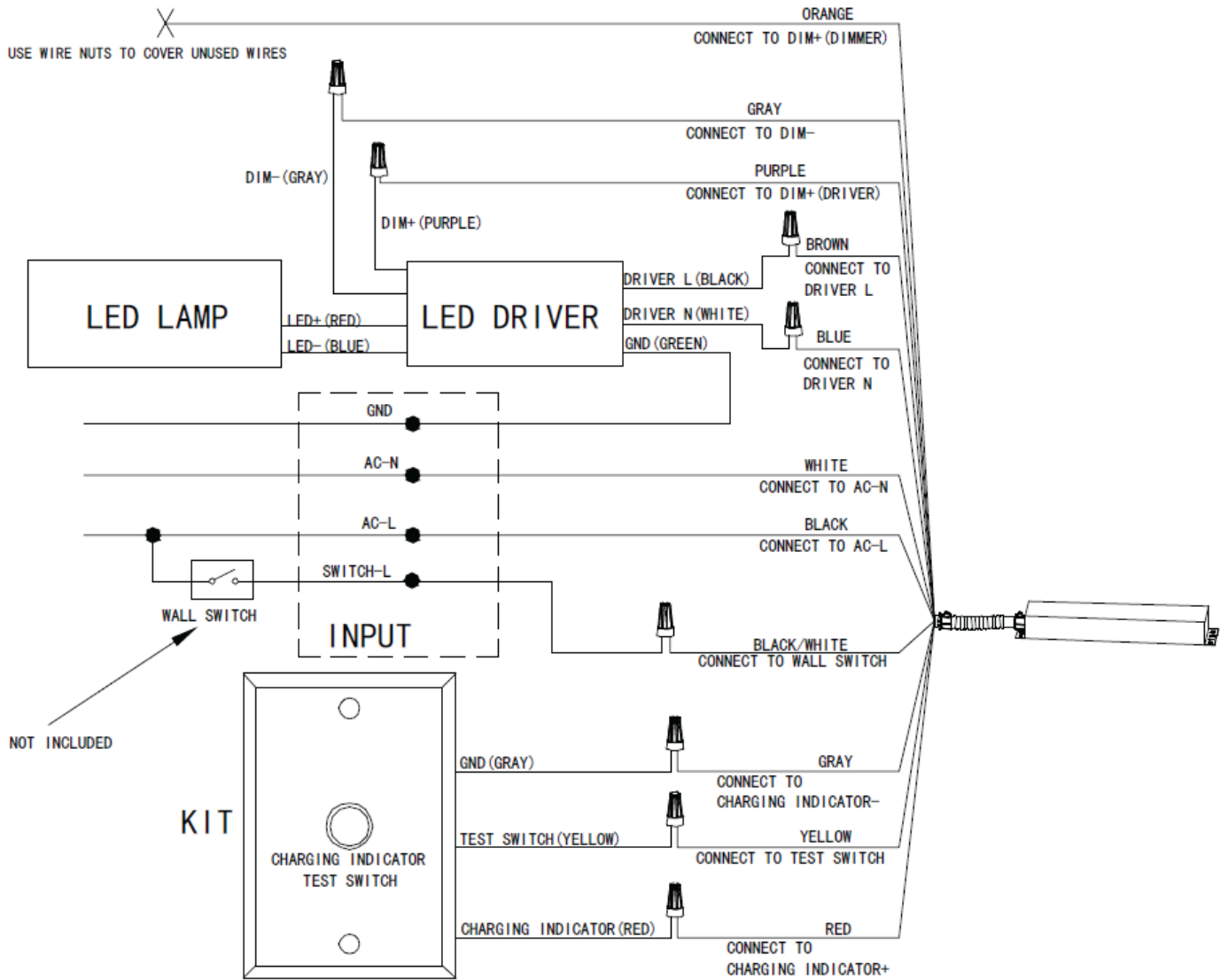
- In AC Operation, press test switch once, emergency for 30 seconds
- In AC Operation, press test switch twice in succession within two seconds, emergency until battery is full discharged
- In the emergency operation, press test switch will turn off emergency status, and led lamp & indicator light of EM driver will go out at the same time

CAUTION:

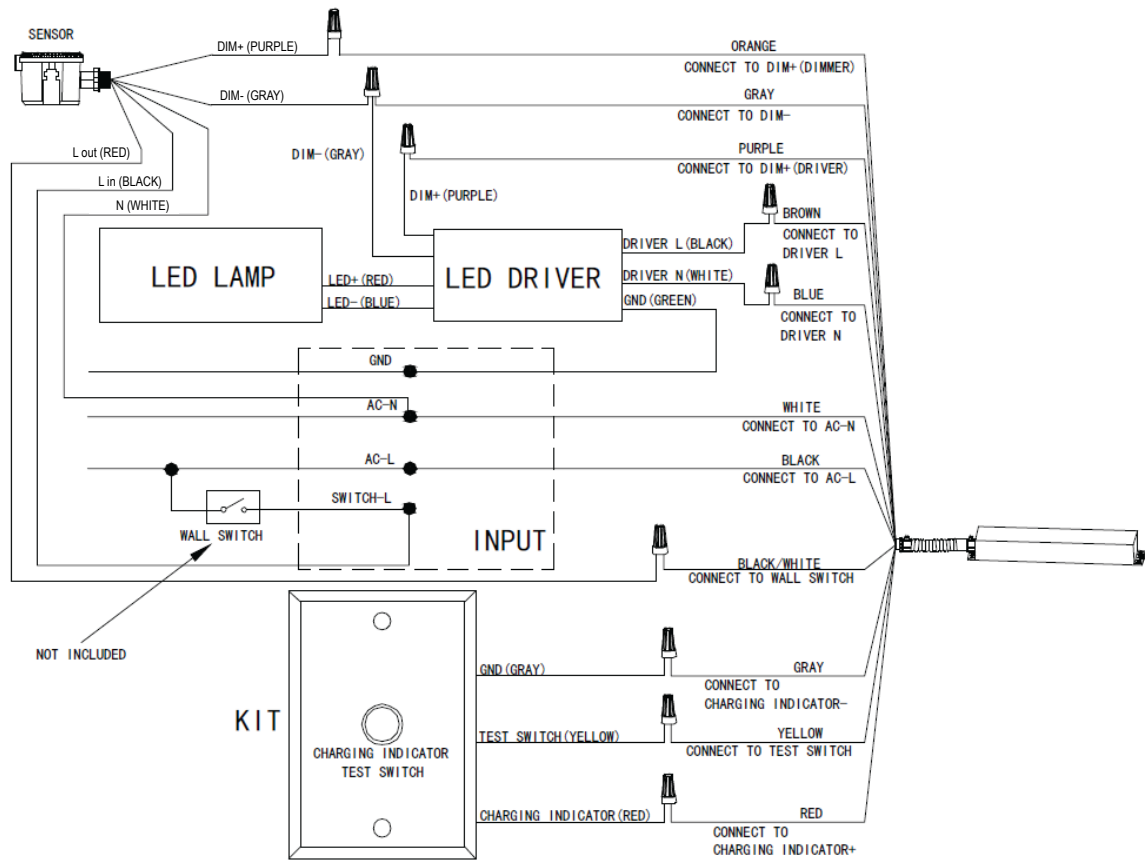
- During AC operation, remember not to touch or remove any wires in case of electric shock
- During emergency operation, before touching and disconnecting the wires, remember to press the test button again to make the led lamp and indicator light off to avoid electric shock
- The voltage input to the dimmable wires (DIM+, DIM-) of emergency LED driver must be less than 20Vdc
- For emergency LED driver of EMA15FY-170/EMA25FY-170 better work with LED lamp not more than 150W, for EMA40FY-170 must work with LED lamp less than 300W

Wiring Diagram

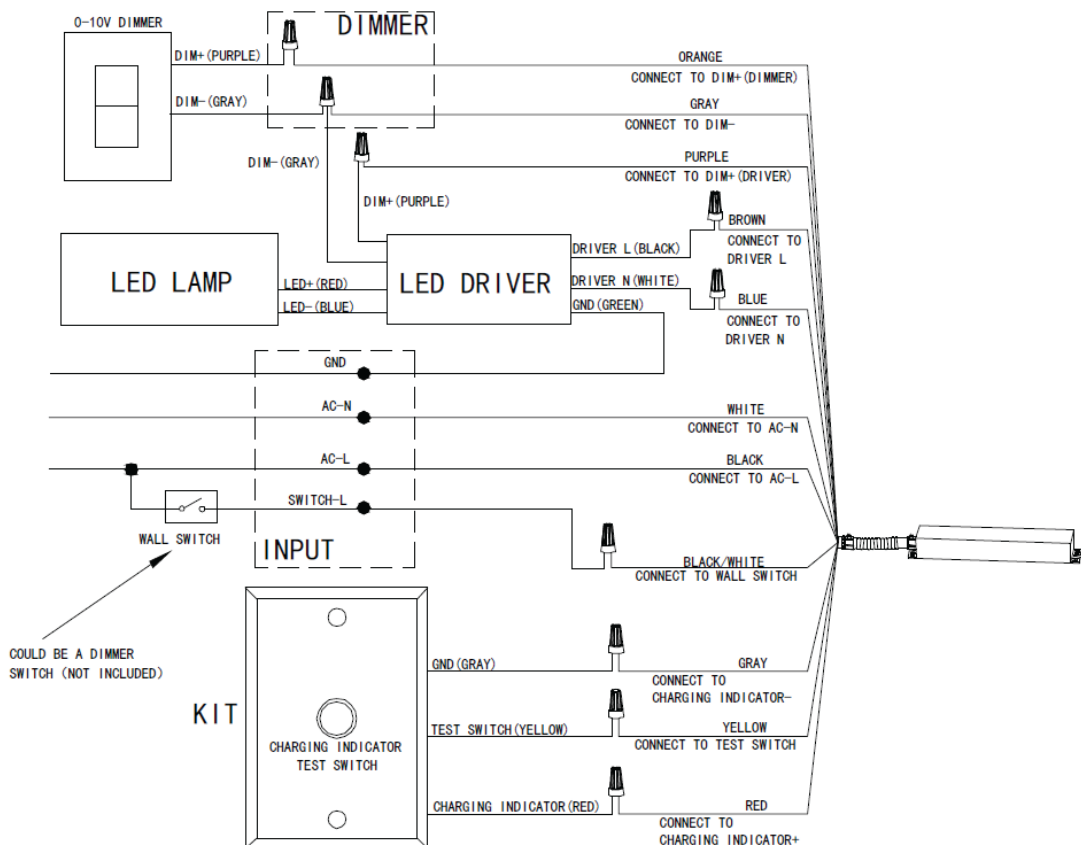
A) Fixture + GEN3 BBU Only



B) Fixture + GEN3 BBU + OC Sensor



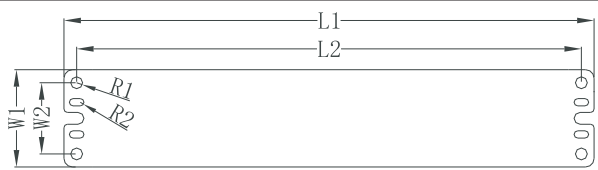
C) Fixture + GEN3 BBU + 0-10V DIMMER



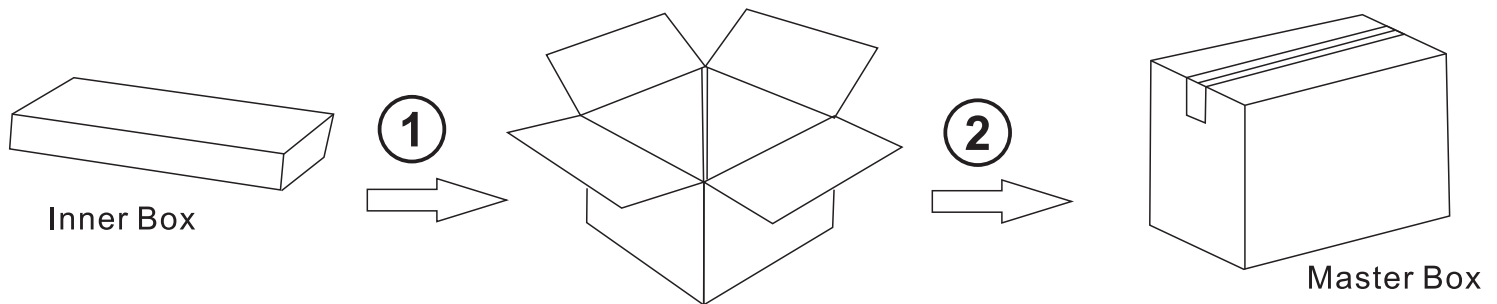
SELF-TEST

- The emergency LED driver contains a control/monitor circuit which will perform a 30-second discharge test once a month and a fully discharge test once a year. At this time, the unit simulate an AC power failure and automatically switch to emergency mode. During routine testing, the unit will monitor the operation of the LED load, battery voltage, and emergency duration, if the unit detect any problems, the indicator will flash quickly.

Dimensions

Emergency LED Driver		Size(inch)									
Picture	Length		Width		Height	Radius		Flexible Conduit	Conduit Diameter	Connector Diameter	Length of the wire
	L1	L2	W1	W2	/	R1	R2	/	/	/	/
	12.32"	11.73"	2.32"	1.65"	1.48"	0.14"	0.08"	13"	0.75"	0.79"	5.51"

Package



Package information are as following forms

Power	Length(inch)	Width(inch)	Height(inch)	G.W(kg)	N.W(kg)	QTY(pcs)
15W	16.57"	11.26"	10.24"	11.5	9.5	10
25W	16.57"	11.26"	10.24"	13	11	10
40W	16.57"	11.26"	10.24"	14	12	10