



## SilentAire UVC 6" Round Direct Mount 5-CCT ColorPreference® Canless Downlight w/ Remote J-box

SADL-DMRJ Series | Ambient Lighting with Internal UVC Air Disinfection\*\*

\*green indicator light shows GUV disinfection system is active

### GERMICIDAL PRODUCT FACTS

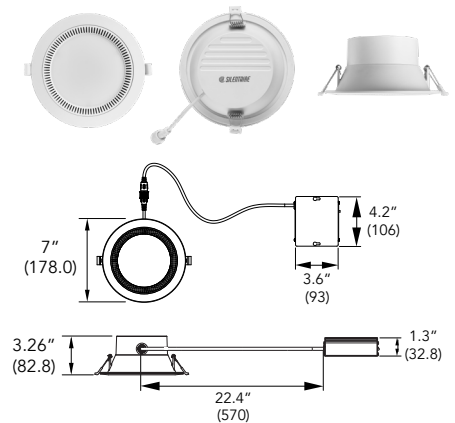


ENHANCED AIRBORNE PATHOGEN DEFENSE SYSTEM

# 100% PEOPLE SAFE GERMICIDAL UV SOLUTIONS

### KEY PRODUCT FEATURES, DETAILS & SPECS

- Engineered with the latest in UVC germicidal technology to inactivate bacteria, mold & viruses
- Integral SilentAire fan system draws in ambient air to help continuously facilitate air disinfection
- A sealed internal UVC LED germicidal disinfection chamber ensures zero direct UVC exposure
- 100% safe for use while the space is occupied (with no special controls, safety measures or training req'd)
- Green indicator light lets you know that the SilentAire GUV disinfection system is operational
- SilentAire fan system returns the UVC treated & disinfected air back into the space
- Ambient LED 4000K performance equal to 11W @ 1057 lumens (15.5W SilentAire system wattage)
- Ambient LED up to 94 LPW provides 60+% in energy savings vs. legacy downlight luminaires
- Installs like any direct mount downlight, no special installation steps required, simply 'plug & play'
- ColorPreference® field selectable 5-CCT for added design flexibility (2700K, 3000K, 3500K, 4000K & 5000K)



### STOCK ORDERING INFORMATION (typical 2-3 day shipment lead time)<sup>1,2</sup>

Catalog Logic/PT#	Model #	UPC	Size	Lumens <sup>3</sup>	LED Watts	LPW	System Watts	CCT <sup>4</sup>	CRI	Voltage	Dimming
SADL-DMRJ-R6-900LM-9-5CP-SV-TR	558032010	849489067582	6" Round	1057	11.2	94.4	15.5	5-CCT	80 (min)	120V	Triac

Notes:

1. In-stock inventory due early Q4 2021, specs subject to change (contact factory).
2. JAB certification is currently pending.
3. Lumen value & LPW shown is for 4000K ColorPreference® setting.
4. ColorPreference® field selectable 5-CCT (2700K, 3000K, 3500K, 4000K & 5000K).



# SilentAire UVC 6" Round DirectMount

## 5-CCT ColorPreference® Canless Downlight w/ Remote J-box

SADL-DMRJ Series | Ambient Lighting with Internal UVC Air Disinfection\*\*



### AVAILABLE STOCK ACCESSORIES (must be ordered separately)



### Additional Performance Accessories (requires field installation)

Catalog Logic/PT#	Model #	Description
EMA25FY-170 <sup>1</sup> (G3)	70112202-2	Square, 25W, IP rated, 90 minutes
LPGP-6IN	70313101	6" round rough-in guide plate
SADL-DMRJ-12FT-EXT	906008530	12' low voltage, IP65 extension cord
SADL-DMRJ-20FT-EXT	906008520	20' low voltage, IP65 extension cord

Notes:

1. BBU's certified in CA Title 20 MAEDBS. (search by Catalog logic/PT#, Ex. 'EMA25FY-170')

### MISCELLANEOUS PRODUCT SPECS & DETAILS

#### Load Information

Power Factor	> 0.90
THD	< 25%
Frequency	50/60 Hz
Sound Rating	30 dBA
Low Temp LED	-20° C (-4° F)
Max Temp LED	45° C (113° F)
Low Temp UVC LED	-30° C (-22° F)
Low Temp Fan	-10° C (14° F)
Unit Weight	1.43 lbs

#### Lumen Maintenance

Ambient Temp	TM-21 LM Maintenance (54,000 hours)
25° C (77° F)	> 80.12%

Ambient Temp	TM-21 Theoretical (L70 hours)
25° C (77° F)	86,240

### SILENTAIRE GERMICIDAL UV & FAN SPECIFICATIONS & DETAILS

UV Source	UV Wavelength	UV Irradiance	UV Wattage	UV Lifetime	Air Flow Rate	Fan Sound Rating	Fan Wattage	Fan Lifetime
LED	270-280nm	200 mW	4.0	30,000 hours	4.3 CFM	30 dBA	0.3	50,000 hours

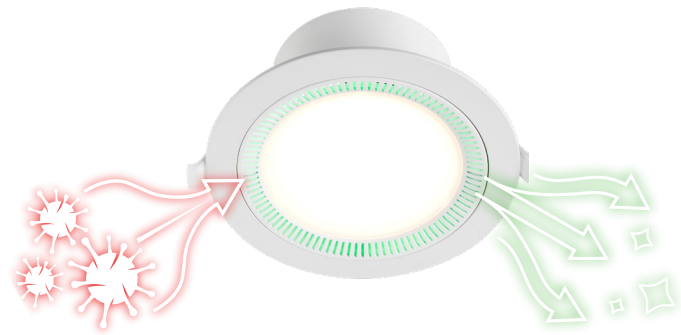
### SILENTAIRE SYSTEM OVERVIEW

ETI SSL's SADL-DMRJ SilentAire UVC 6" Round Direct Mount Canless Downlight is a hybrid lighting solution that combines traditional LED ambient illumination with SilentAire's internal ultraviolet germicidal air disinfection system that does not allow any direct exposure to UVC. No specialized controls, safety measures or training required. All SilentAire products are 100% 'People Safe' when in use and the space is occupied vs. direct UVC solutions that can be a health and safety risk if not properly operated.

SilentAire products are engineered with an integral quiet fan system designed to continuously funnel contaminated ambient air through an internally sealed UVC germicidal disinfection chamber. UVC technology is proven to effectively kill or inactivate many types of bacteria, mold, fungi and viruses. The system then returns pathogen free air back into the occupied space.

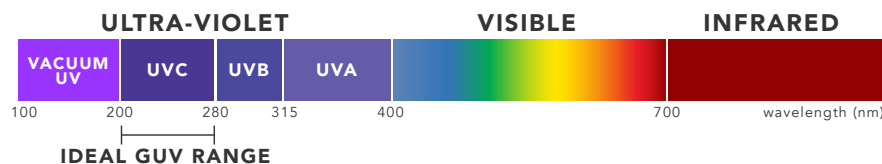
Simply install SADL-DMRJ products like any traditional canless direct mount downlight luminaire with 'plug & play' operation to help create safer people spaces against airborne pathogens. Pair with additional SilentAire and CleanAire™ germicidal solutions to build an enhanced defense system against current and future pathogens.

### 100% PEOPLE SAFE GERMICIDAL UV AIR DISINFECTION\*\*



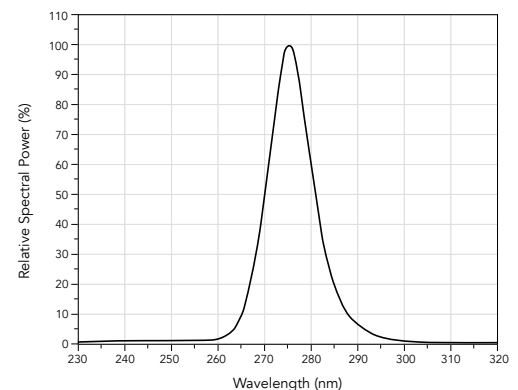
1. Integral fan & the space's HVAC system helps to funnel in contaminated ambient air
2. Fully enclosed UVC disinfection chamber kills or inactivates pathogens & viruses
3. Pathogen free air is returned to the space, helping to increase air changes per hour

### GERMICIDAL UV LED SPECTRUM DETAILS



- GUV (Germicidal Ultraviolet) is an effective and proven disinfection technology in use for over 35-years
- The short ultraviolet wavelengths in the photobiological band "UVC" is ideal in eliminating pathogens
- The UVC range is outside the visible spectrum of "light" that can quickly kill bacteria & inactivates viruses
- Thanks to its fast germicidal efficacy, GUV within the UVC range is great for air & surface disinfection
- Germicidal effectiveness is set by the exposure dosage in irradiance & time (how much & how long)
- Direct exposure to GUV within the UVC range can be a safety & health hazard to both the skin & eyes
- SilentAire's sealed germicidal UVC chamber eliminates direct exposure & is 100% people safe when in use

### SADL-DMRJ Series UVC LED Spectrum



All specs are subject to change w/o notice & all reported values are nominal/typical measured under lsb conditions @ 25° C (77° F).  
 \*\*All references to "disinfection" are referring to the general reduction or inactivation of potential pathogens within a space.  
 \*\*ETI SSL and its parent company does not promise/warrant the use of SilentAire products will protect or prevent any end user from contamination and/or infection by any bacteria, mold, fungi, virus, illness or disease.