

COMMERCIAL LowPro Wrap Light
MODEL# 56802142 | 5,544 LUMENS | 48W | 115LPW | 4000K



* Low profile 1.65" height

COMMERCIAL LOW PROFILE WRAP LIGHT
SUPERIOR VALUE & PERFORMANCE



PRODUCT OVERVIEW

ETi SSL's Commercial LowPro Wrap Light provides efficient and economical ambient illumination with a sleek and modern ultra low profile architectural design. With an installed profile height of 1.65", this fixture is ideally suited for spaces with low floor to ceiling clearance. But is also an excellent architectural solution for retrofitting any outdated fluorescent installations or for new construction projects looking for an excellent blend of LED performance and product design. All ETi SSL products are engineered using the latest innovative LED technologies to help provide the perfect mix of modern design, performance, world class quality and product reliability. All at a superior value to the designer, specifier, contractor and end-user.

Our Commercial LowPro Wrap series is DLC rated and delivers 5544 lumens of extremely uniform ambient 4000K illumination. Product is compatible with a wide range of 0-10V dimmers or with our field installable OC Sensor for additional control flexibility. Optional field install Emergency BBUs are also available for emergency egress. Installation is quick and easy thanks to the tool free center housing design with direct wiring access from below, with multiple knockouts for added install flexibility. Product can be thru-wired for continuous row installation up to 8-fixtures total. Fixture is rated to operate reliably from -20° C (-4° F) and in high ambient 45° C (113° F) applications. The Commercial LowPro Wrap series provide long-lasting maintenance free operation thanks to its reported 89.0% lumen maintenance @ 60,000 hours and projected L70 @ 180,000 hours. Ideal commercial and residential applications include, but are not limited to offices, retail, storage rooms, multi-family, general hallways and corridors, garages, workshops and more.

Our entire team takes great pride in our dedication to providing innovative in-stock lighting solutions that typically ship in 2-3 days with the product reliability and quality that you can always depend on from ETi SSL.

STOCK ORDERING INFORMATION (typical 2-3 day shipment lead time)¹

Catalog Logic/PT#	Model #	UPC	Size	Lumens	Wattage	LPW	CCT	CRI	Voltage	Dimming	DLC ²
WR-4FT-5500LM-8-40K-MV-LVD	56802142	849489065618	4'	5,544	47.9	115.6	4000K	80 (min)	120-277V	0-10V	Standard

Notes:

1. Stock SKUs typically ship in 24-48 hours upon receipt of an approved released order.
2. Search first 6-digits of the model # followed by '###' on the DLC QPL...Ex. '568021###' to view DLC qualified SKUs.

WR Series

Commercial LowPro Wrap Light
Model# 56802142 | 5,544 Lumens | 48W | 115LPW | 4000K | DLC | 5-yr Warranty

CATALOG LOGIC | PART# DECODER^{1,2,3}

WR-4FT-5500LM-8-40K-MV-LVD (Model # 56802142)

WR	4FT	5500LM	8	40K	MV	LVD
Series	Size	Lumens ³	CRI	CCT	Voltage	Dimming
WR Commercial Wrap Light	4FT 4' Length	5500LM Nominal Lumens	8 80CRI (minimum)	40K 4000K	MV Multi Voltage (120-277V)	LVD Low Voltage Dimming (0-10V)

Notes:

1. This product is not configurable, only designated 'Stock' SKUs are available.
2. Decoder is to help clarify Catalog Logic|Part # configurations only (see Stock & Rapid Ship Ordering Information for available SKUs).
3. Lumen values shown are nominal (see Stock Ordering Information or Photometric Details sections for additional performance details).

AVAILABLE STOCK ACCESSORIES (must be ordered separately)



Occupancy Sensor^{1,2} (field installed)

Catalog Logic/PT#	Model #	Description
MC054V-RC2-D-KIT	70201101-2-KIT	External step-dim OC sensor KIT
MH10 ^{1,2}	70205101	OC sensor remote programmer

Notes:

1. Factory OC sensor settings can be changed w/ (70205101) remote programmer.
2. Max handheld remote programmer operating distance of 49.2' (15m) (see Instruction Manual for settings & details)



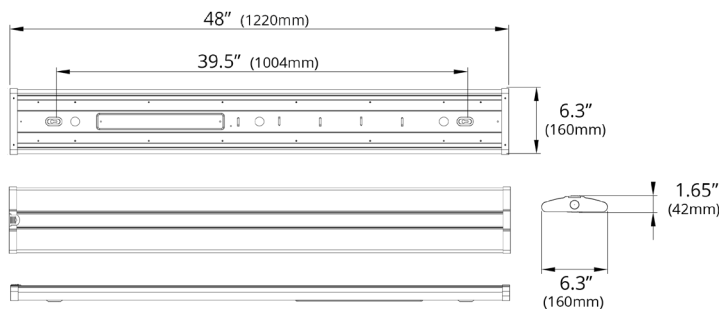
Emergency LED Driver/BBU¹ (BBU field installed w/ OC sensor or dimming)

Catalog Logic/PT#	Model #	Description
EMA25FY-170 (G3)	70112202-2 ¹	Square, 25W, IP rated, 90 minutes
EMA40FY-170 (G3)	70114402-2 ¹	Square, 40W, IP rated, 90 minutes

Notes:

1. BBU's certified in CA Title 20 MAEDBS. (search by BBU cat logic/PT#, Ex. 'EMA40FY-170')

KEY DIMENSIONAL INFORMATION



Note: All dimensions are shown in inches (millimeters).

MISCELLANEOUS PRODUCT SPECS & DETAILS

Load Information

Power Factor	> 0.90
THD	< 20%
Frequency	50/60 Hz
Sound Rating	< 20 Dba
Low Temp Start	-20° C (-4° F)
Max Temp	45° C (113° F)
Unit Weight	5.12 lbs

Lumen Maintenance

Ambient Temperature	TM-21 Lumen Maintenance (60,000 hours)
25° C (77° F)	> 89.0%
Ambient Temperature	TM-21 Theoretical L70 (hours)
25° C (77° F)	180,000

Shipping Information*

Size	Unit Weight ¹	Pallet ² (48"l x 40"w x 69"h)
4' unit	6.43 lbs	84 units per

1. Case pack weighs 14.95 lbs (2 units / per case pack).
2. There are 42 case packs per pallet.

PHOTOMETRIC DETAILS

Luminaire Data: WR-4FT-5500LM-8-40K-MV-LVD

IES File Name	56802142.IES
CCT & CRI	4000K, 80CRI minimum
Initial Delivered Lumens	5,544
Wattage	47.96W
Efficacy	115.60
Beam Angle	50% = 115.4° 10% = 160.9°
Spacing	0° = 1.28 90° = 1.26

Photometric values based on tests performed in compliance with LM-63 & LM-79

Indoor Candela Plot

