

Vertical Racking Plant Grow Lighting

Open Table Indoor Grow Lighting

Commercial
Grade

FDA
Compliant

GMP
Ready

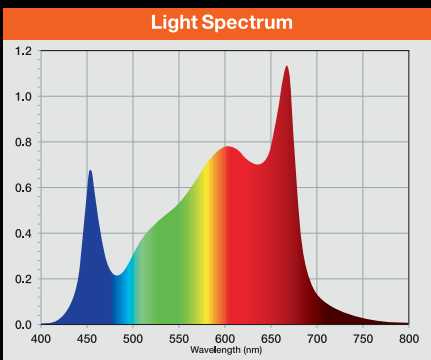


External LED Drivers

Dimmable Horticulture
LED Power Supply

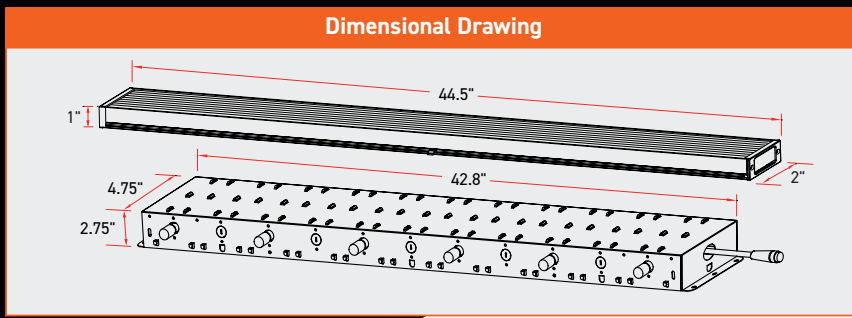


Boost your spectrum with AMP bars



GENERAL SPECIFICATIONS:

Models	EG45W9	EG45W9C
Order Code	GEEG-450W9-FS	GEEG-450W9-FS-C
Order #	55411311	55411311
Description	Nine Bar HO Modular Grow Light w/ GD300W & GD150W Drivers	
Input Voltage (VAC)	120-277V	277-480V
Wattage	450W	
Dimmability	0-10V Dim-to-off	
Distribution Angle	120°	
PPF	1150 µMol/s	
Efficacy	2.5 µMol/j	
Location Rating	UL Wet	
Thermal Management	Passive	
Average Rated Life	L70: 150,000 hrs @ 40° C L90: 45,000 hrs @ 40° C	
Operating Temperature	Min -13°F (-25° C), Max 113°F (45° C)	
Power Factor	0.98	
Applications	Open Table; Vertical Racking	
Frame & Finish	Powder Coated Aluminum	
Ingress Protection	>IP 65	
Dimensions	44.5" width x 42.8" length x 3.75" height	
Product Weight	44lbs	
Spectrum	Full Spectrum	



NOMINAL AMPERAGE BY VOLTAGE:

Order Code	120V	208V	240V	277V	347V	400V	480V
GEEG-450W9-FS	3.74	2.16	1.88	1.62			
GEEG-450W9-FS-C				1.62	1.29	1.13	0.94



Chicago USA **1-800-916-7680** Montreal Canada

GrowEliteLED.com

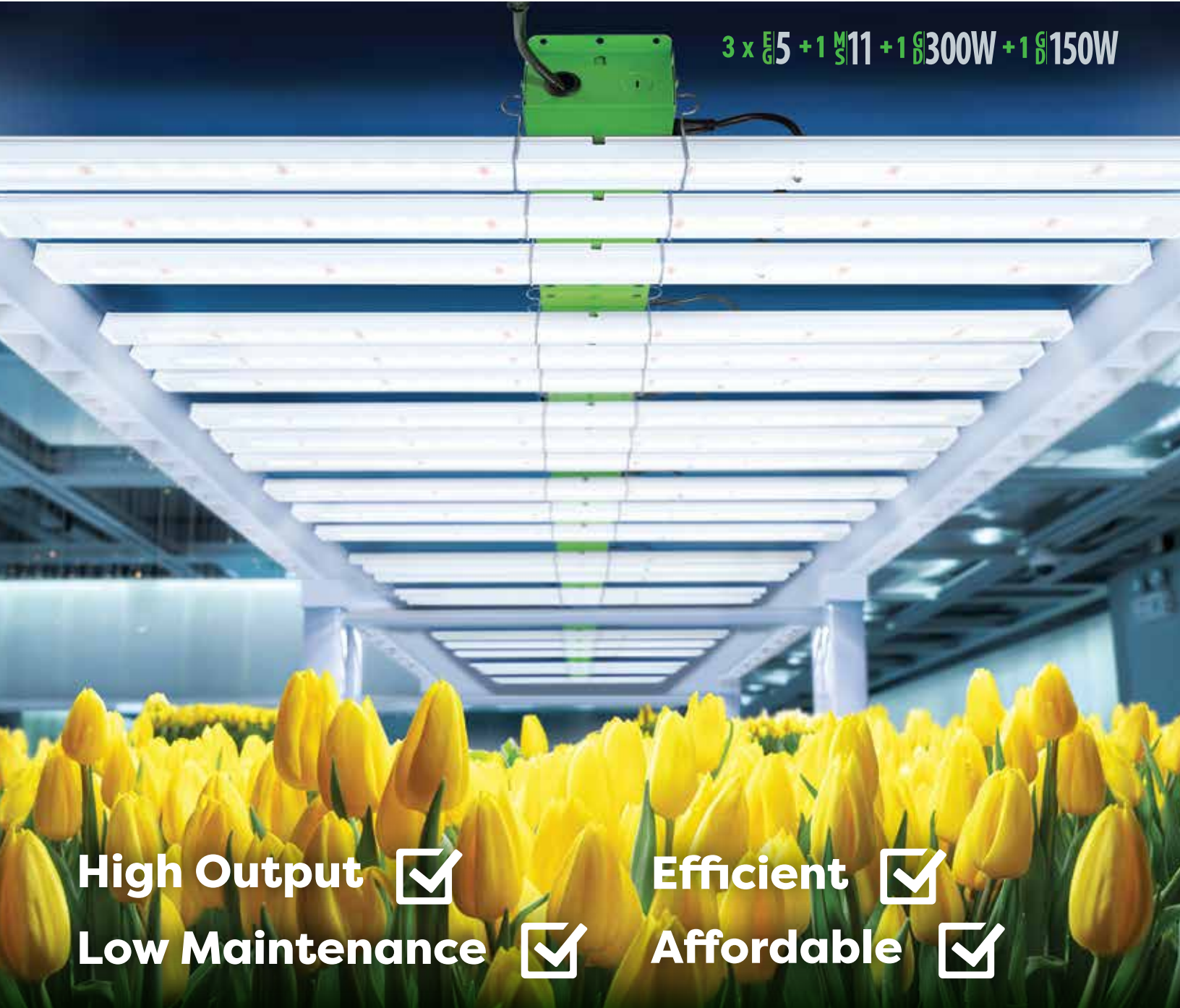


GROW 
ELITE[®]
LED Horticulture Lighting

Nine Bar
450W Modular
Grow Light

E | **G** | **45W9**
120-480V

3 x E5 + 1 M11 + 1 D300W + 1 D150W



High Output

Efficient

Low Maintenance

Affordable

At Grow Elite, we design and manufacture our own professional grow lights for large scale and commercial growers.

Our grow lights are built to address quality, yield, and the balance between crop costs and profitability.

GrowEliteLED.com

SAMSUNG
LED

Illuminated