

DATE:	PROJECT:
TYPE:	NOTES:
CATALOG #:	

## Plasma Air Disinfection Round 24" Air Purifier

### KEY FEATURES

- Dual disinfection system for large spaces
- IFD module (intense field dielectric)
- Built in SilentAire Plasma Disinfection technology (Air Treatment)
- 99.9% kill rate for airborne viruses and bacteria including SARS-CoV-2 (the virus that causes COVID-19)\*
- Easy Maintenance - Plug and play
- Damp location rated
- Reusable dust filter to capture large airborne particles, clean once a year

### SPECIFICATIONS

#### Construction

- Durable Aluminum (AL) housing
- Matte black or white finish
- Easy removable dust filters to rinse and clean with water

#### Installation

- Two mounting options:  
Chain Suspended (included)  
Can be mounted by 1.1" stem (not included)
- Recommended 32ft mounting height

#### Electrical

- 50,000 hour lifetime for reduced maintenance
- Operates at 120-277V, 50/60Hz

#### Warranty

5-Year Standard Warranty. See terms at: [ETISSL.com/warranty/](https://ETISSL.com/warranty/)

KEY DATA	
System Voltage	120-277V
System Wattage	100W



### Certifications & Test Data

- Tested by Innovative Bioanalysis in 20'x8'x8' Biosafety level 3 chamber with a Plasma Air Disinfection Round 24" Air Purifier. Removes 8.65x106 TCID50/mL of SARS-CoV-2 to 1.20x102 TCID50/mL after 2 hours of operation, 99.9986% virus gross reduction achieved.
- Tested by ILAC against Staphylococcus albus 8032 bacteria. Removed 99.9% of the bacteria from the air within 2 hours



Kills 99.9% of viruses and bacteria including SARS-CoV-2\* (the virus that causes COVID-19)

\*Tested on Staphylococcus albus 8032 with one fixture for 30 minutes in a 30m<sup>3</sup> (1059 Cubic ft) chamber. Removed 99.9% of Staphylococcus albus 8032 from the air. Tested on SARS-CoV-2 (the virus that causes COVID-19) with one fixture for 2 hours in a 22'x11'x8' (1280 Cubic ft) chamber. Removed 99.9% of SARS-CoV-2 from the air. Not proven to prevent the transmission of COVID-19. No air treatment device can guarantee the prevention of virus transmission. We recommend following CDC guidelines.

Meets California ozone emissions limit: CARB certified

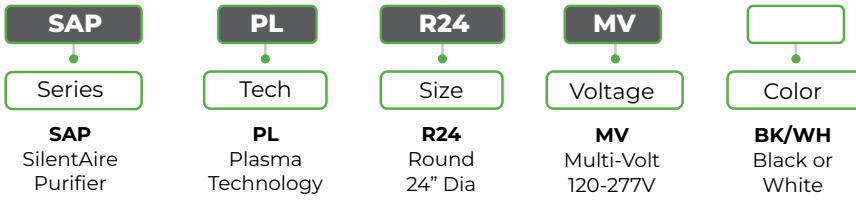
CARB EO# G-22-390



FEI# 3013851416

# SAP-PL Series Plasma Air Disinfection Round 24" Air Purifier

## CATALOG LOGIC (SAP-PL-R24-MV-BK, SAP-PL-R24-MV-WH)



**Notes:**

1. This product is not configurable, only designated 'Stock' SKUs are available.
2. Stock SKUs typically ship in 24-48 hours upon receipt of an approved released order.

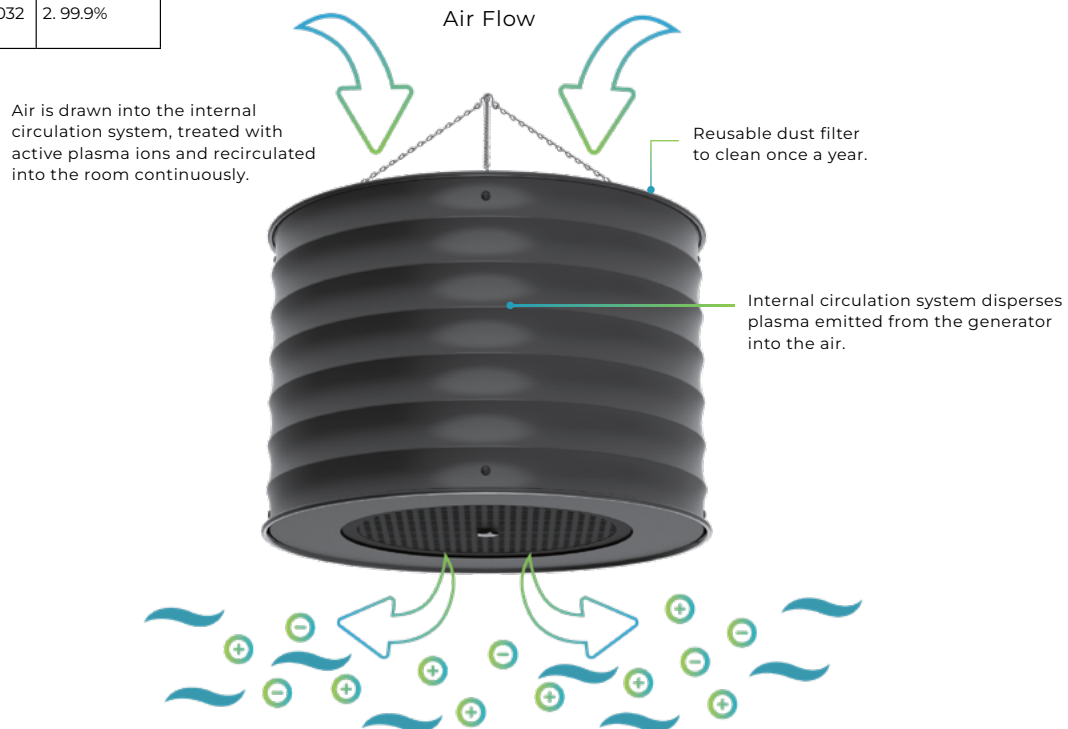
## STOCK ORDERING INFORMATION (typical 2-3 day shipment lead time)

Catalog Logic (Model#)	Size (Dia)	System Wattage	Rated Life	Voltage	ETL
SAP-PL-R24-MV-BK (559061000)	24"	100W	50,000 hrs	120-277V	ETL UL Damp
SAP-PL-R24-MV-WH (559061010)	24"	100W	50,000 hrs	120-277V	ETL UL Damp

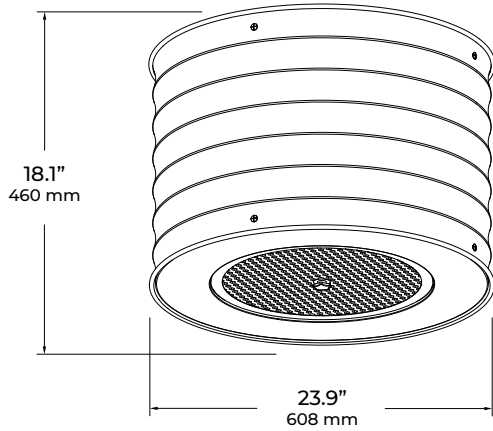
## POWERED BY PLASMA

Plasma is created in the internal patent pending plasma generator inside of the light fixture. Airborne particles are charged by the ions released by the plasma generator, causing them to cluster, be drawn to the plasma and destroyed. The ionized air that contains positively and negatively charged molecules kills 99.9% of airborne viruses and bacteria\*.

*Test Content	Test Results
1. SARS-CoV-2 2. Staphylococcus albus 8032	1. 99.9% 2. 99.9%



**DIMENSIONS / DETAILS**



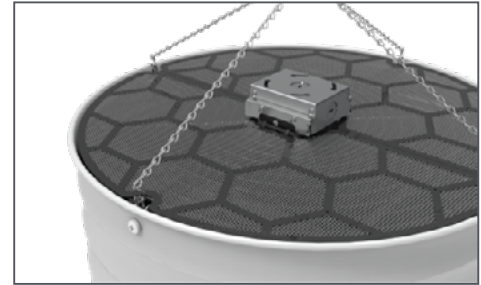
**Unit Weight**  
35.2 lbs  
**Package Weight (1 unit)**  
45.3lbs

**Load Information**

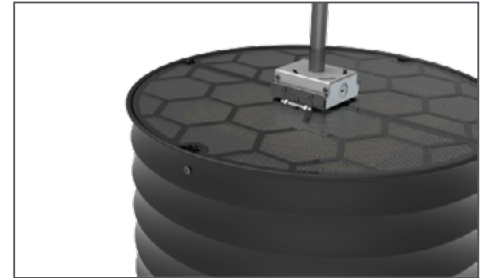
<b>Frequency</b>	50/60 Hz
<b>dB</b>	65
<b>CFM</b>	735
<b>Low Temp Start / Max Temp</b>	-40° C (-40° F) / 45° C (113° F)

**Two Way Installation**

Chain suspended (included)

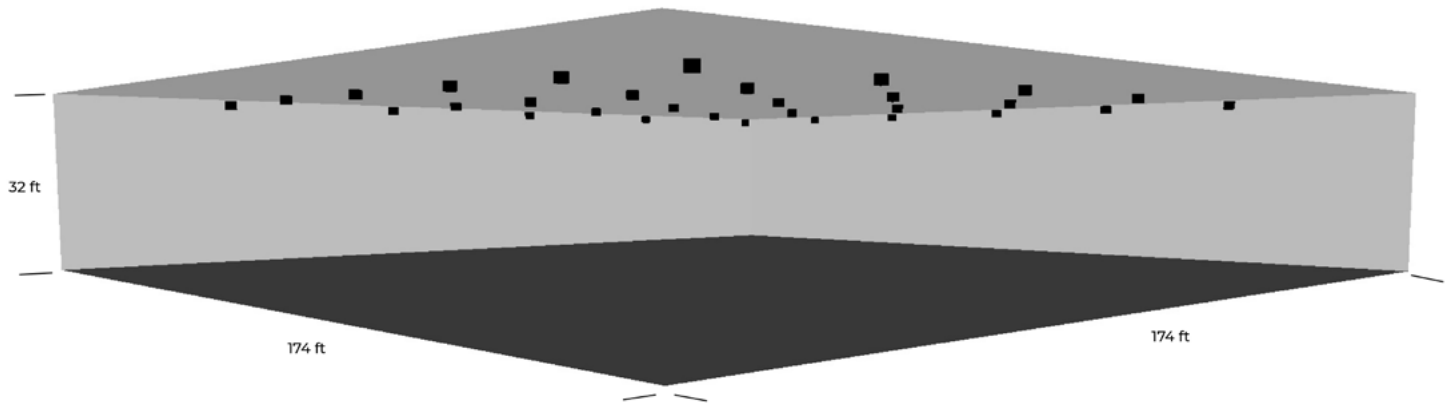


Optional Stem Mount fits 1.1" stems (not included)



**RECOMMENDED APPLICATION GUIDE / ROOM SIZE**

Room recommendation of **29** fixtures per 30,000sqft or roughly 174'x174' space at an 32' mounting height.



<b>Recommended Disinfection Guide (per fixture)</b>	
Coverage - ft <sup>3</sup>	44,100 cuft
Coverage - ft <sup>2</sup>	1,378 sqft
Mounting Height	32 ft

**Square Feet to Cubic Feet**

