

DATE:	PROJECT:
TYPE:	NOTES:
CATALOG #:	

Plasma Air Disinfection 8" Canless Downlight

KEY FEATURES

- Equipped with ETI's Color Preference® 5 Selectable CCTs (2700K, 3000K, 3500K, 4000K, 5000K), using Samsung LEDs, with 90+ CRI
- 3 Selectable Lumen Boost® options (900/1600/2000LM)
- Built in SilentAire Plasma Disinfection technology (Air Treatment)
- Green indicator light on face panel shows disinfection is on and working
- 99.9% kill rate for airborne viruses and bacteria*
- Two working modes controlled by standard wall switch
 - Disinfection with lighting on
 - Disinfection only with lighting off
- Damp location rated
- Reusable dust filter to clean every 6 months, dependant on use
- Adjustable spring clips to fit openings between 6 2/3" and 8 2/3" in diameter

SPECIFICATIONS

Construction

- Durable plastic housing
- Matte white finish
- Easy removable dust filters to rinse and clean with water every 6 months

Optics

- Environmentally sound Polystyrene (PS) plastic diffuser lens
- Highly effective achromatic solution with a high transmission of 90% in the visible spectrum
- Uniform, even light distribution

Installation

- Adjustable spring clips to fit openings between 6 2/3" and 8 2/3" in diameter (factory set on smallest setting for 6 2/3" openings)
- Recommended 8ft mounting height
- Field select one of five CCTs at installation with an integral switch. Factory set to 2700K.
- Field select one of the three lumen settings with an integral switch. Factor set to 2000LM.

Electrical

- 54,000 hour LEDs at L70 for reduced maintenance
- Operates at 120-277V, 50/60Hz
- Triac dimming, only at 120V

Warranty

5-Year Standard Warranty. See terms at: ETISSL.com/warranty/

* Always consult dimmer manufacturer for proper use, installation and compatibility (some dimmers may require a neutral in the wall box).

KEY DATA (Based on 2700K)	
Delivered Lumens	2222
Delivered Wattage	21.9
Efficacy Range (LPW)	101



2700K | 3000K | 3500K | 4000K | 5000K

A simple toggle switch located inside luminaire housing is used to set the desired CCT and lumen output in the field.



Certifications & Test Data

- Virus test by Intertek against Influenza A Virus H1N1.
- Bacteria test by ILAC against Staphylococcus albus 8032.
- Removed 99.9% of the virus and bacteria from the air within 2 hours.



*Tested on Staphylococcus albus 8032 and Influenza A Virus H1N1 with two fixtures at high speed mode for 2 hours in a 20m³ (706 Cubic ft.) chamber. Removed 99.9% of Staphylococcus albus 8032 and Influenza A Virus H1N1 from the air. Not yet tested on SARS-CoV-2 (the virus that causes COVID-19). Not proven to kill SARS-CoV-2 or prevent the transmission of Covid-19. No air treatment device can guarantee the prevention of virus transmission. We recommend following CDC guidelines.

Meets California ozone emissions limit: CARB certified

CARB EO# G-22-120

LM 79

TM 21

IES

FEI# 3013851416

CATALOG LOGIC (SADL-DMJB-PL-LB3-9-CP5-MV-D-WH)

SADL	DMJB	PL	LB3	9	CP5	MV	D	WH
Series	Install	Tech	Lumens	CRI	CCT	Voltage	Dimming	Color
SADL SilentAire Downlight	DMJB Direct Mount J-Box	PL Plasma Technology	LB3 Lumen Boost® 900/1600/2000LM	9 90CRI (min.)	5CP 5 CCT Color Preference® 27/3/35/4/5000K	SV Multi-Volt 120-277V	D Dimming Triac only at 120V	WH White

Notes:

1. This product is not configurable, only designated 'Stock' SKUs are available.
2. Stock SKUs typically ship in 24-48 hours upon receipt of an approved released order.
3. Factory set at 2700K.

STOCK ORDERING INFORMATION (typical 2-3 day shipment lead time)¹

Catalog Logic (Model#)	Size (Dia)	Case QTY	Nominal Lumens ²	Delivered Lumens ² at 2700K	Wattage ³	Efficacy ² at 2700K	CCT	CRI	Voltage	Dim	ETL
SADL-DMJB-PL-LB3-9-CP5-MV-D-WH (559011020)	9.5"	4	900 1600 2000	2222	21.9	101 LPW	2700K 3000K 3500K 4000K 5000K	90 (min)	120-277V	Triac only at 120V	ETL UL Damp

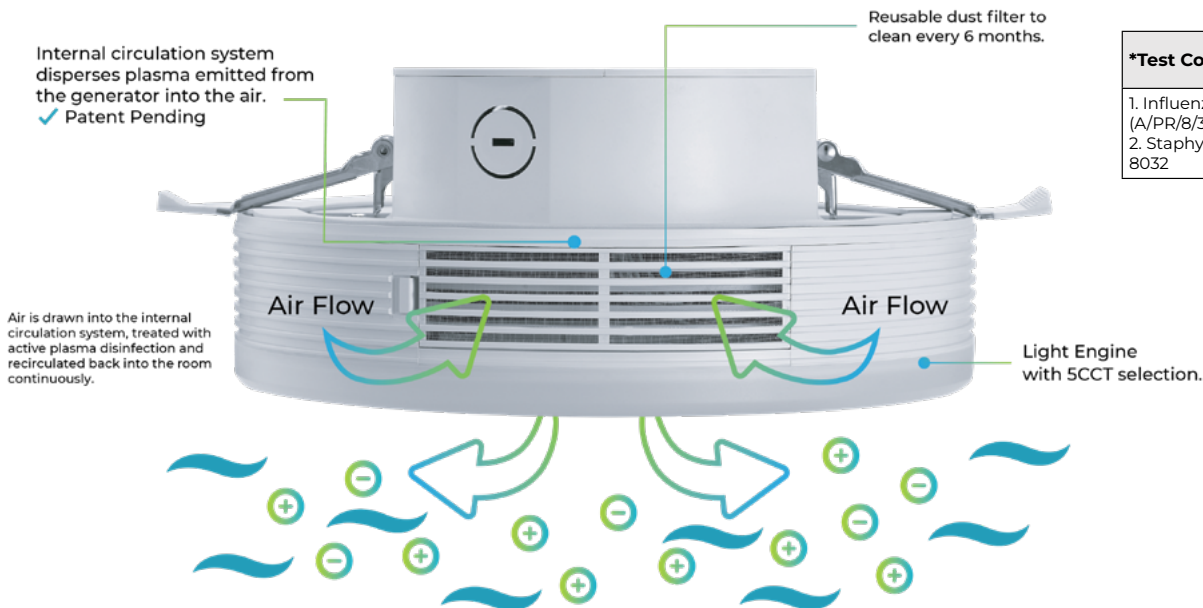
Notes:

1. Stock SKUs typically ship in 24-48 hours upon receipt of an approved released order
2. 3 selectable lumen settings. Delivered Lumens at lowest CCT setting.
3. Based on System Watts. Actual Watts may vary ±10%. CCT factory set at 2700K.

POWERED BY PLASMA

Plasma is created in the internal patent pending plasma generator inside of the light fixture.

Airborne particles are charged by the ions released by the plasma generator, causing them to cluster, be drawn to the plasma and destroyed. The ionized air that contains positively and negatively charged molecules kills 99.9% of airborne viruses and bacteria*.

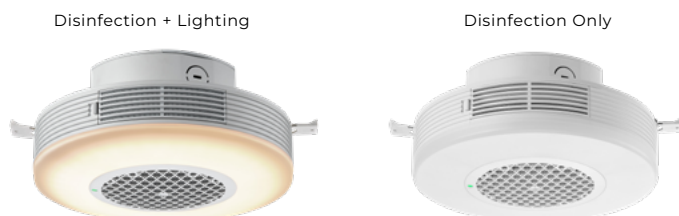


*Test Content	Test Results
1. Influenza A virus (A/PR/8/34 H1N1)	1. 99.9%
2. Staphylococcus albus 8032	2. 99.9%

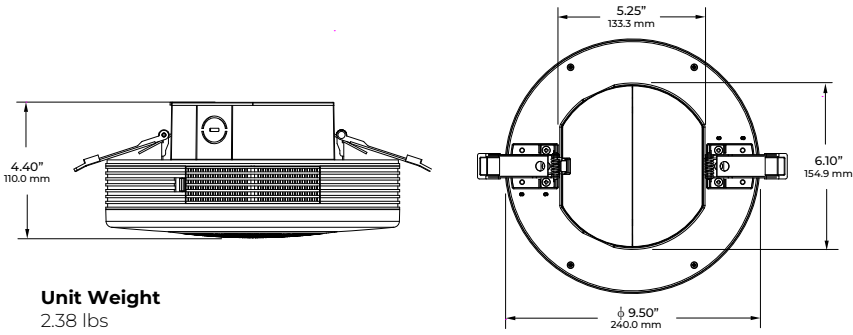
TWO WORKING MODES

Working modes controlled by standard wall switch.

Flip wall switch On/Off/On within 3 seconds to change mode.



DIMENSIONS / DETAILS



Unit Weight

2.38 lbs

Package Weight (1 unit)

3.30 lbs

Carton Weight (4 units)

12.98 lbs

PERFORMANCE / DATA

Lumen Maintenance

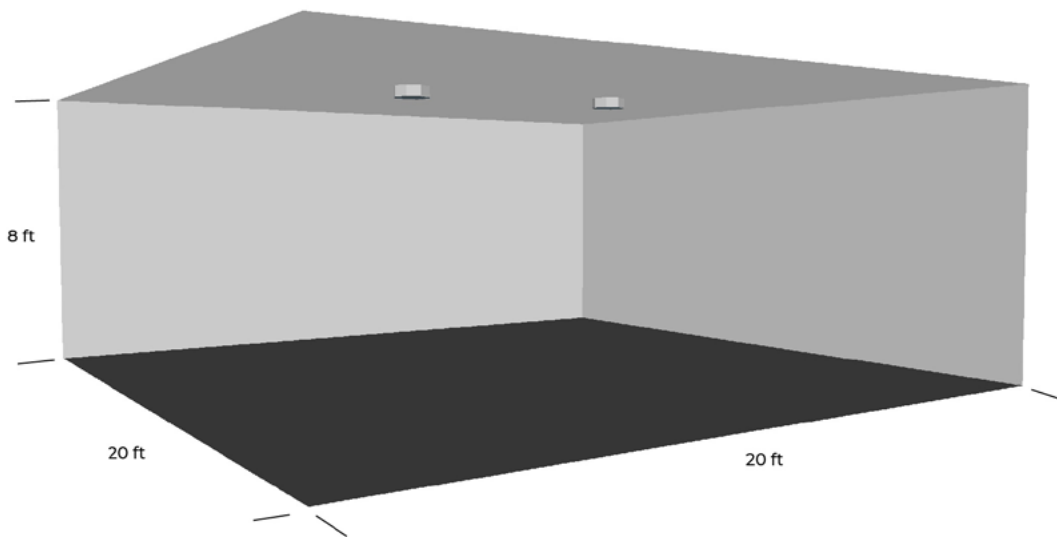
Ambient Temp.	TM-21 Lumen Maintenance (54,000 hours)
25° C (77° F)	92.36%
Ambient Temp.	TM-21 Theoretical L70 (hours)
25° C (77° F)	235,000 hrs

Load Information

Power Factor	> 0.90
THD	< 20%
Frequency	50/60 Hz
dB	37
CFM	25
Low Temp Start / Max Temp	-20° C (-4° F) / 45° C (113° F)

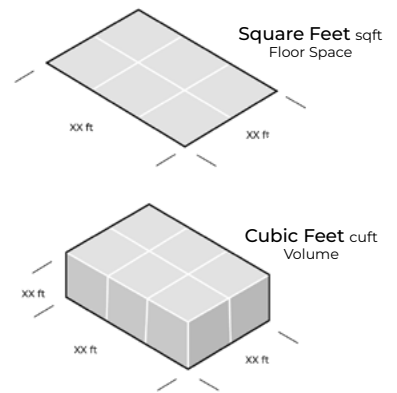
RECOMMENDED APPLICATION GUIDE / ROOM SIZE

Room recommendation of **2** fixtures per 400sqft or roughly 20'x20' space at an 8' mounting height.



Recommended Disinfection Guide (per fixture)	
Coverage - ft ³	1,500 cuft
Coverage - ft ²	188 sqft
Mounting Height	8 ft

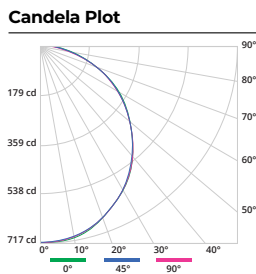
Square Feet to Cubic Feet



PHOTOMETRIC SAMPLES

Luminaire Data:

CCT & CRI	2700K, 93 CRI
Delivered Lumens	2,222
Wattage	21.93W
Efficacy	101 LPW
Spacing	0° = 1.26 90° = 1.26



Candela Distribution

Angle	0°	90°
0	716	716
5	713	713
15	687	686
25	634	634
35	561	561
45	474	472
55	374	374
65	267	267
75	156	157
85	62	62
90	39	39

Ceiling	% Effective Ceiling Cavity Reflectance																	
	80%			70%			50%			30%			10%		0%			
Wall	70	50	30	10	70	50	30	10	50	30	10	50	30	10	50	30	10	0
RCR	Zonal cavity method—Effective floor reflectance = 20%																	
0	118	118	118	118	115	115	115	115	108	108	108	103	103	103	97	97	97	95
1	107	102	97	93	104	99	95	91	94	90	87	89	86	84	85	82	80	78
2	97	88	81	75	94	86	79	74	82	76	71	77	73	69	74	70	67	64
3	88	77	69	62	85	75	68	61	72	65	60	68	63	58	65	60	56	54
4	81	68	59	53	78	67	58	52	63	56	51	61	54	49	58	53	48	46
5	74	61	52	45	72	60	51	45	57	49	44	54	48	43	52	46	42	39
6	68	55	46	39	66	54	45	39	51	44	38	49	42	37	47	41	37	34
7	63	50	41	35	61	49	40	34	47	39	34	45	38	33	43	37	33	30
8	59	45	37	31	57	44	36	31	43	35	30	41	34	30	39	34	29	27
9	55	41	33	28	53	41	33	27	39	32	27	38	31	27	36	31	26	24
10	52	38	30	25	50	38	30	25	36	29	25	35	29	24	34	28	24	22

Photometric values based on tests performed in compliance with LM-63 & LM-79

Zonal Lumen Summary

Zone	Lumens	% Luminaire
0-40	905.2	40.7%
0-60	1605.7	72.3%
0-90	2110.3	95.0%
0-180	2221.5	100.0%