

DATE:	PROJECT:
TYPE:	NOTES:
CATALOG #:	

Plasma Air Disinfection 12" Flush Mount

KEY FEATURES

- Equipped with ETI's Color Preference® 5 Selectable CCTs (2700K, 3000K, 3500K, 4000K, 5000K), using Samsung LEDs, with 90+ CRI
- Built in SilentAire Plasma Disinfection technology (Air Treatment)
- 99.9% kill rate for airborne viruses and bacteria, including SARS-CoV-2*
- Damp location rated
- Reusable dust filter to clean every 6 months, dependant on use
- Green indicator light on face panel shows disinfection is on and working

SPECIFICATIONS

Construction

- Durable Polycarbonate (PC) housing
- Matte white finish
- Easy removable dust filters to rinse and clean with water every 6 months

Optics

- High impact and environmentally resistant PMMA diffuser lens for zero pixelation and overall visual comfort
- Uniform, even light distribution

Installation

- ETISSL proprietary TwistFit Mounting System™ included
- Easily service from mounting/ceiling surface
- Recommended 8ft mounting height
- Field select one of five CCTs at installation with an integral switch. Factory set to 2700K.

Electrical

- 54,000 hour LEDs at L70 for reduced maintenance
- Operates at 120-277V, 50/60Hz
- Triac dimming, only at 120V
- ETISSL patented 5 CCT Color Preference® allowing for easy field-adjustable lighting output with switch located inside lens

Warranty

5-Year Standard Warranty. See terms at: [ETISSL.com/warranty/](https://www.etissl.com/warranty/)

* Always consult dimmer manufacturer for proper use, installation and compatibility (some dimmers may require a neutral in the wall box).

KEY DATA (Based on 5000K)	
Delivered Lumens	1371
Delivered Wattage	14.4
Efficacy Range (LPW)	95



A simple toggle switch located inside luminaire is used to set the desired CCT in the field.



Certifications & Test Data

- Tested by Innovative Bioanalysis in 8'x8'x10' Biosafety level 3 chamber with two Plasma Air Disinfection 12" Flush Mounts Removes 9.27x106 TCID50/mL of SARS-CoV-2 to 4.03x102 TCID50/mL after 2 hours of operation, 99.996% virus gross reduction achieved.
- Tested by ILAC against Staphylococcus albus 8032 bacteria. Removed 99.9% of the bacteria from the air within 2 hours.



Kills 99.9% of viruses and bacteria including SARS-CoV-2* (the virus that causes COVID-19)

*Tested on SARS-CoV-2 (the virus that causes COVID-19) with two fixtures in high speed mode for 2 hours in a 18m³ (600Cubic ft.) chamber. Removed 99.99% of SARS-CoV-2 from the air. Not proven to prevent the transmission of Covid-19. No air treatment device can guarantee the prevention of virus transmission. We recommend following CDC guidelines.

Meets California ozone emissions limit: CARB certified

CARB EO# G-22-142

LM 79

TM 21

IES

FEI# 3013851416

CATALOG LOGIC (SAFM-R12-PL-1000LM-9-CP5-MV-D-WH)

SAFM	R12	PL	1000LM	9	CP5	MV	D	WH
Series	Size	Tech	Lumens	CRI	CCT	Voltage	Dimming	Color
SAFM SilentAire Flush Mount	R12 Round 12" Dia	PL Plasma Technology	1000LM (Nominal)	9 90CRI (min.)	5CP 5 CCT Color Preference® 27/3/35/4/5000K	MV Multi-Volt 120-277V	D Dimming Triac only at 120V	WH White

Notes:

1. This product is not configurable, only designated 'Stock' SKUs are available.
2. Stock SKUs typically ship in 24-48 hours upon receipt of an approved released order.
3. Factory set at 2700K.

STOCK ORDERING INFORMATION (typical 2-3 day shipment lead time)¹

Catalog Logic (Model#)	Size (Dia)	Case QTY	Nominal Lumens	Delivered Lumens ² at 5000K	Wattage ³	Efficacy ² at 5000K	CCT	CRI	Voltage	Dim	ETL
SAFM-R12-PL-1000LM-9-CP5-MV-D-WH (559031110)	12"	2	1000	1371	17	95	2700K 3000K 3500K 4000K 5000K	90 (min)	120-277V	Triac only at 120V	ETL UL Damp

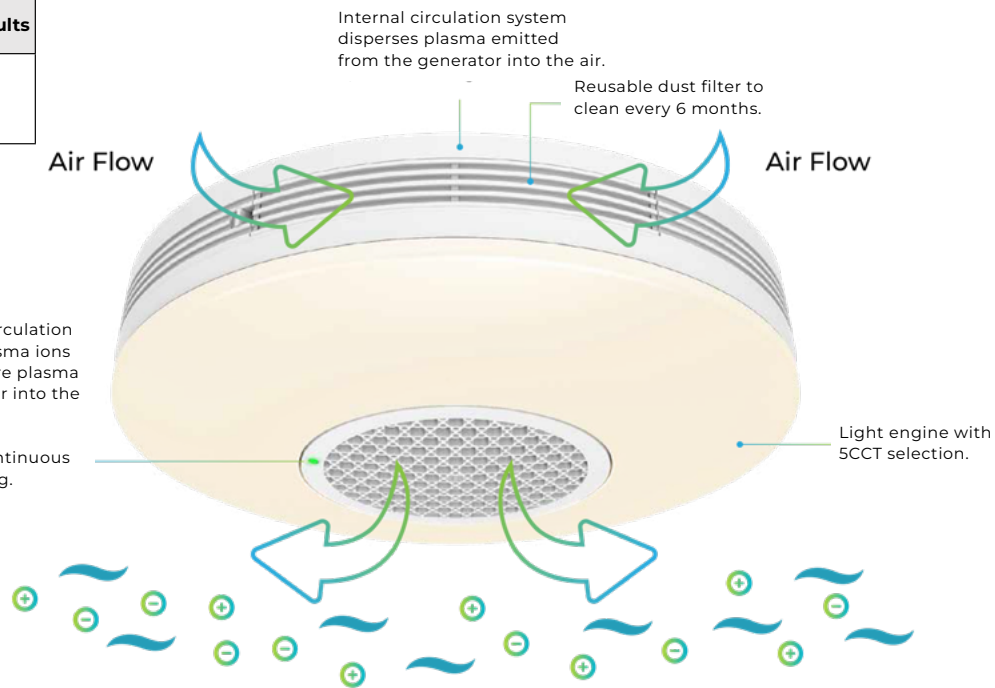
Notes:

1. Stock SKUs typically ship in 24-48 hours upon receipt of an approved released order
2. Efficacy and Delivered Lumens.
3. Based on System Watts. Actual Watts may vary ±5% . CCT factory set at 2700K.

POWERED BY PLASMA

Plasma is created in the internal patent pending plasma generator inside of the light fixture. Airborne particles are charged by the ions released by the plasma generator, causing them to cluster, be drawn to the plasma and destroyed. The ionized air, that contains positively and negatively charged molecules, kills 99.98% of SARS-CoV-2 in the air*.

Test Content	Test Results
1. Staphylococcus aureus 2. SARS-CoV-2	1. 99.99% 2. 99.98%

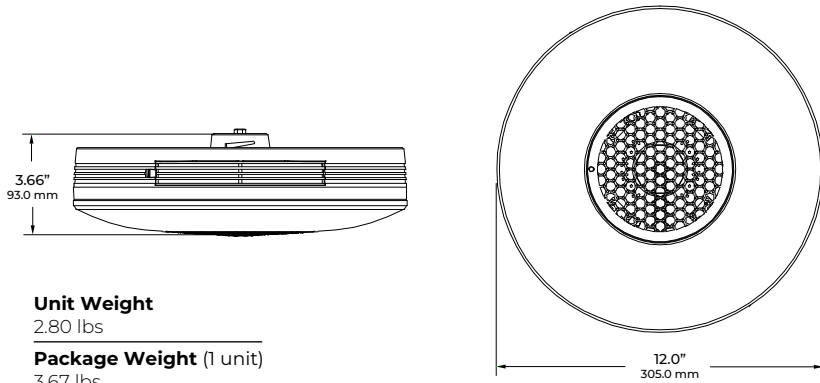


TWO WORKING MODES

Working modes controlled by standard wall switch.
Flip wall switch On/Off/On within 3 seconds to change mode.



DIMENSIONS / DETAILS



Unit Weight
2.80 lbs

Package Weight (1 unit)
3.67 lbs

Carton Weight (2 units)
8.39 lbs

PERFORMANCE / DATA

Lumen Maintenance

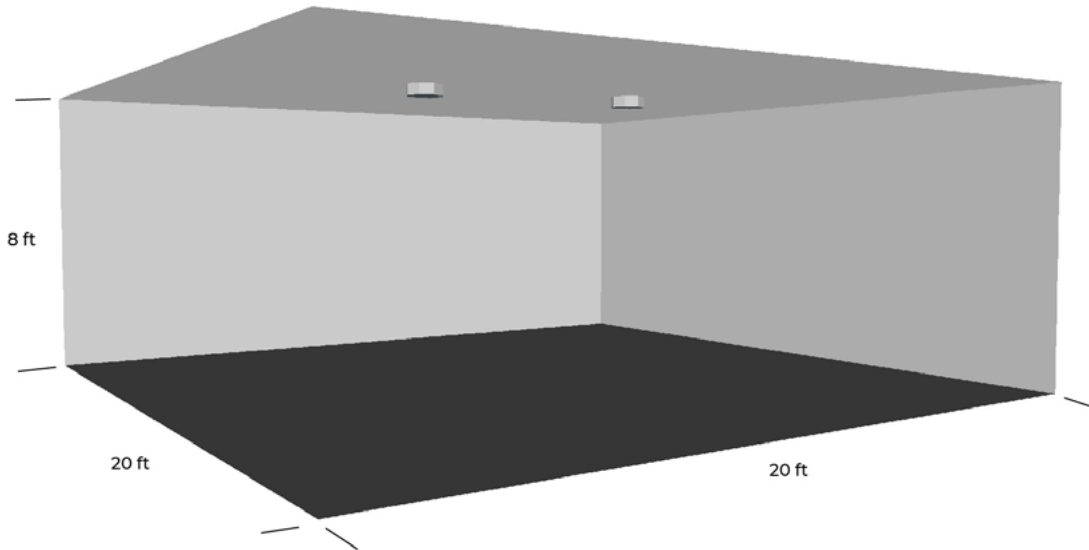
Ambient Temp.	TM-21 Lumen Maintenance (54,000 hours)
25° C (77° F)	90.75%
Ambient Temp.	TM-21 Theoretical L70 (hours)
25° C (77° F)	195,000 hrs

Load Information

Power Factor	> 0.90
THD	< 20%
Frequency	50/60 Hz
dB	30
CFM	25
Low Temp Start / Max Temp	-20° C (-4° F) / 45° C (113° F)

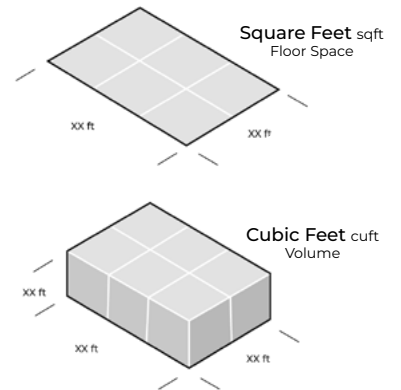
RECOMMENDED APPLICATION GUIDE / ROOM SIZE

Room recommendation of **2** fixtures per 400sqft or roughly 20'x20' space at an 8' mounting height.



Recommended Disinfection Guide (per fixture)	
Coverage - ft ³	1,500 cuft
Coverage - ft ²	188 sqft
Mounting Height	8 ft

Square Feet to Cubic Feet



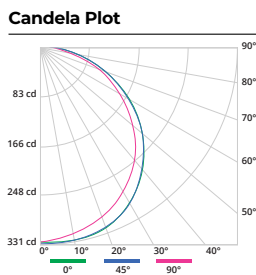
PHOTOMETRIC SAMPLES

2700K

Luminaire Data:

CCT & CRI	2700K, 95 CRI
Delivered Lumens	1,033
Wattage	14.44W
Efficacy	72
Spacing	0° = 1.36 90° = 1.28

Photometric values based on tests performed in compliance with LM-63 & LM-79



Candela Distribution

Angle	0°	90°
0	327	327
5	329	324
15	327	311
25	313	292
35	286	263
45	247	225
55	198	179
65	144	126
75	89	75
85	44	35
90	28	21

Ceiling Wall	% Effective Ceiling Cavity Reflectance																	
	80%			70%			50%			30%			10%		0%			
RCR	70	50	30	10	70	50	30	10	50	30	10	50	30	10	50	30	10	0
0	118	118	118	118	115	115	115	115	110	110	110	104	104	104	99	99	99	97
1	107	102	97	93	104	99	95	91	95	91	88	90	87	85	86	84	82	79
2	97	88	81	75	94	86	80	74	82	77	72	79	74	70	75	71	68	66
3	88	77	69	62	86	76	68	61	72	66	60	69	63	59	66	61	57	55
4	81	68	59	52	78	67	58	52	64	57	51	61	55	50	59	53	49	47
5	74	61	52	45	72	60	51	45	57	50	44	55	48	43	53	47	42	40
6	68	55	46	39	66	54	45	39	52	44	38	50	43	38	48	42	37	35
7	63	50	41	34	61	49	40	34	47	39	34	45	38	33	44	38	33	31
8	59	45	37	31	57	44	36	31	43	35	30	41	35	30	40	34	29	27
9	55	41	33	28	53	41	33	27	39	32	27	38	32	27	37	31	26	25
10	52	38	30	25	50	38	30	25	36	29	25	35	29	24	34	28	24	22

Zonal Lumen Summary

Zone	Lumens	% Luminaire
0-40	426.1	41.3%
0-60	762.4	73.8%
0-90	1002.9	97.1%
0-180	1032.7	100.0%

