

DATE:	PROJECT:
TYPE:	NOTES:
CATALOG #:	

40" SLIM SHOP LIGHT

WITH MOTION SENSOR
4000K | 3166 DELIVERED LUMENS

KEY FEATURES

Luminaire features PIR Motion Sensor with detection range of up to 13 ft. Included connectors and linking cable allow for easy end-to-end connection—linkable up to 7 units.

CCT & Light Quality

- CCT 4000K, 80+ CRI

Light Output & Efficacy

- High Lumen Package: 3000 lm
- Efficacy Rating: 75 LPW

PIR Motion Sensor

- Detects motion up to 13 feet away at 10 ft. mounting height
- Adjustable Hold Time: Disable / 10 Minutes / 2 Minutes

SPECIFICATIONS

Construction & Optics

- Metal housing with black ends
- Clear Lens

Installation

- Comes with suspension mounting kit
- Easy end-to-end connection capabilities:

End-to-End Connector Included
5 ft. Power Cord / Linking Cable Included

Electrical

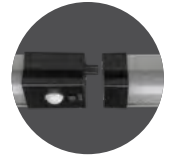
- 50,000 hour LEDs at L70 for reduced maintenance
- Operates at 120V, 60Hz
- Operation Temperature: -20°C (-4°F) / 45°C (113°F)
- Non-Dimmable

Warranty

5-Year Standard Warranty. See terms at: ETISSL.com/warranty/



PIR Motion Sensor
Detects Motion up to
13 ft Away at
10' Mounting Height



End-to-End
Connector Included

KEY DATA	
Delivered Lumens	3166
Wattage	37.24
Efficacy Range (LPW)	85
Reported Life (Hours)	L70 / 54,000

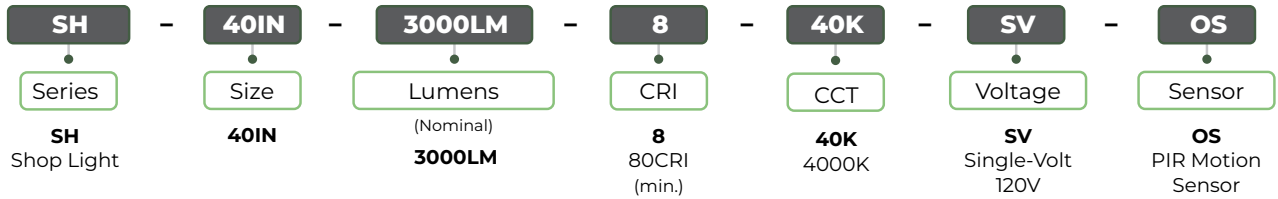
Certifications & Test Data

- All luminaires are UL listed and are built for damp location use
- Adheres to LM79, and TM30 industry standards for photometric, lumen maintenance and lifetime calculations
- ENERGY STAR® Qualified (Search 557011##)
- Driver rated for FCC part 15 Class B for use in residential or commercial applications
- RoHS Compliant
- IC Rated for direct contact with insulation



40" Slim Shop Light WITH MOTION SENSOR | 4000K | 3166 DELIVERED LUMENS

CATALOG LOGIC



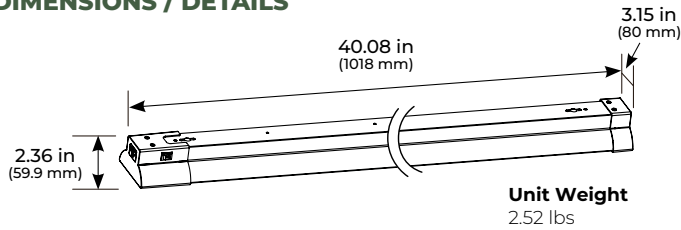
Notes:
1. This product is not configurable. Only designated 'Stock' SKUs are available.

STANDARD STOCK ORDERING INFORMATION

Catalog Part Number	Order Number	Description	Case QTY	Lumen Package	Delivered Lumens ¹	Wattage (Nominal)	Efficacy	CCT	CRI	Voltage	Dim	ENERGY STAR®
SH-40IN-3000LM-8-40K-SV-OS	55701142	40" Slim Shop Light	4	3000	3166	40	85	4000K	80+	120V	Non-Dim	Yes, Search: 557011##

Notes: 1. For more delivered lumens and test data see on page 3, or visit ETISSL.com

DIMENSIONS / DETAILS



Installation Kit



- Includes:
- 1 - Electrical Plug Adapter
 - 1 - 5 ft. Power Cord/ Linking Cable
 - 1 - End-to-End Connector
 - 2 - Mounting Chains
 - 2 - Drywall Anchors
 - 2 - Hook Screws

PIR MOTION SENSOR



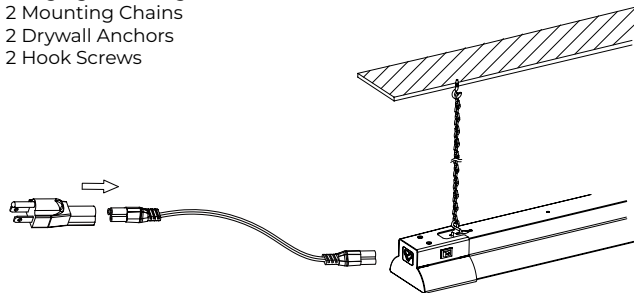
PIR Motion Sensor Function

- Detects motion up to 13 feet away at 10 ft. mounting height
- Adjustable Hold Time: Disable / 10 Minutes / 2 Minutes
- Once motion is detected, light will remain on until motion is no longer detected for the selected hold time.

MOUNTING

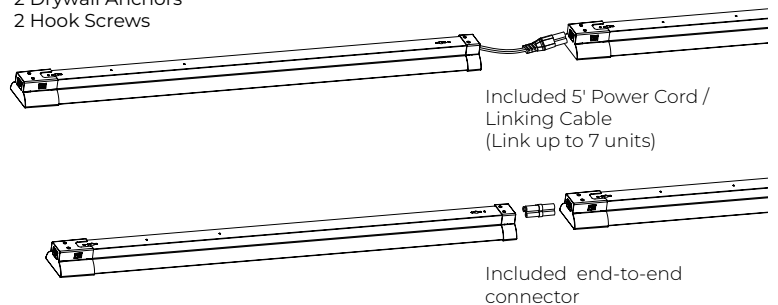
Hanging Mounting Kit:

- 2 Mounting Chains
- 2 Drywall Anchors
- 2 Hook Screws



Linking:

- 2 Mounting Chains
- 2 Drywall Anchors
- 2 Hook Screws



40" Slim Shop Light WITH MOTION SENSOR | 4000K | 3166 DELIVERED LUMENS

PERFORMANCE / DATA

Lumen Maintenance

Ambient Temp.	TM-21 Lumen Maintenance (54,000 hours)
25° C (77° F)	92%
Ambient Temp.	TM-21 Theoretical L70 (hours)
25° C (77° F)	54,000

Load Information

Power Factor	.90
THD	< 20%
Frequency	60 Hz
Low Temp Start / Max Temp	-20° C (-4° F) / 45° C (113° F)

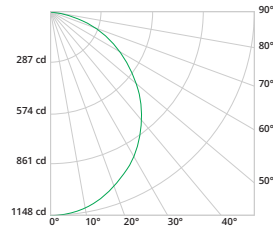
PHOTOMETRIC SAMPLES



Luminaire Data: 2' at 4000K

CCT & CRI	4000K, 80+ CRI
Delivered Lumens	3166
Wattage	37.24W
Efficacy	85
Beam Angle	50%=109° 10%=156°
Spacing	0° = 1.22 90° = 1.30

Indoor Candela Plot



Photometric values based on tests performed in compliance with LM-63 & LM-79