

20" 3-HEAD TRACK FLUSH MOUNT
 ROTATING HEADS | INTEGRATED J-BOX
 5 CCT COLOR PREFERENCE®

KEY FEATURES

- Track-style flush mount with three tiltable heads
- Luminaire uses ETi SSL's patented Color Preference with 5 Selectable CCTs (2700K, 3000K, 3500K, 4000K, 5000K), 80+ CRI
- 50,000-hour life, 54,000-hour L70 Reported life

SPECIFICATIONS

Construction

- 20" long track with integrated J-Box
- 3 adjustable light heads
- Aluminum frame
- Available in Matte Black, White, or Brushed Nickel Finish

Optics

- Polymer lens for diffused low glare illumination
- Uniform, even light distribution

Installation

- Fixture with integrated J-Box:
 - 1 Mounting Ring
 - 2 Mounting Screws
 - 3 Wire Connectors

Electrical

- 54,000 hour LEDs at L70 for reduced maintenance
- Operates at 120V, 60Hz
- Operating temperature: -20°C (-4°F) / 45°C (113°F)
- Non-Dimmable
- ETi SSL's patented 5 CCT COLOR PREFERENCE® allowing for easy field-adjustable lighting output with switch located on product back

Warranty

5-Year Standard Warranty. See terms at: ETiSSL.com/warranty/

KEY DATA	
Lumen Range	1830 – 2119
Wattage Range	18
Efficacy Range (LPW)	101 – 118
Reported Life (Hours)	L70 / 54,000

DATE:	PROJECT:
TYPE:	NOTES:
CATALOG #:	



Black finish



White finish



Brushed Nickel finish

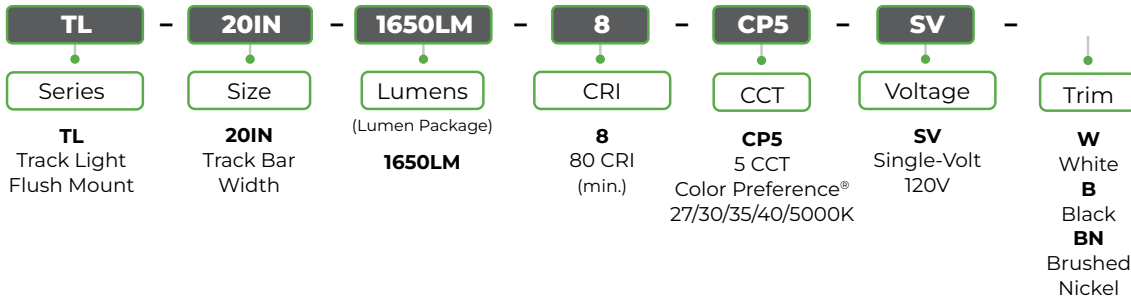


Certifications & Test Data

- All luminaires are built to UL standards, damp locations rated
- Driver rated for FCC part 15 Class B for use in residential or commercial applications
- RoHS Compliant
- ENERGY STAR® rated (See Page 2 for search info.)



CATALOG LOGIC



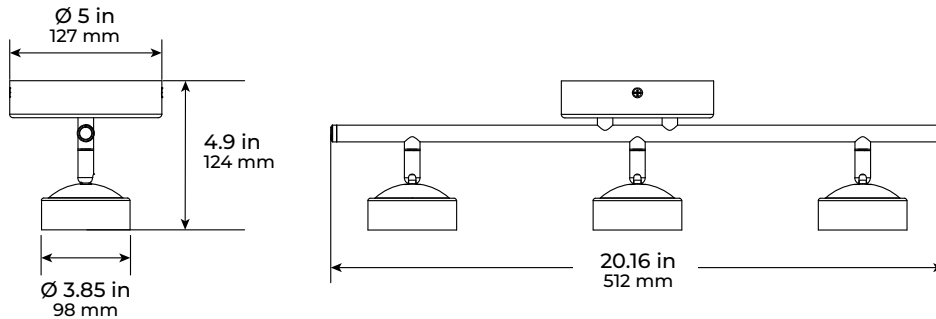
Notes:
1. Factory set at 2700K.
Installing contractor responsible for ensuring desired CCT is selected during installation.

STOCK ORDERING INFORMATION (typical 2-3 day shipment lead time)¹

Catalog Part Number	Order Number	Product Description	Wattage (Nominal)	Lumen Package	Delivered Lumens ²	Efficacy (LPW)	CCT	CRI	Volt.	Dim.
TL-20IN-1650LM-8-CP5-SV-W	534011010	20" 3-Head Track Flush Mount / White Trim	18	1650	1830	101	2700K	80+	120V	Non-Dim
TL-20IN-1650LM-8-CP5-SV-B	534011020	20" 3-Head Track Flush Mount / Black Trim			1929	107	3000K			
					2057	116	3500K			
TL-20IN-1650LM-8-CP5-SV-BN	534011030	20" 3-Head Track Flush Mount / Brushed Nickel Trim			2119	118	4000K			
					2110	115	5000K			

Notes: 1. Stock SKUs typically ship in 24-48 hours upon receipt of an approved released order 2. For more delivered lumens and test data see on page 3, or visit ETISSL.com

DIMENSIONS / DETAILS



Factory settings:
2700K



Adjustable lamp heads rotate to 360° and tilt to direct light.

MOUNTING



Surface Mount Kit Included.

PERFORMANCE / DATA

Lumen Maintenance

Ambient Temp.	TM-21 Lumen Maintenance (54,000 hours)
25° C (77° F)	98.38%
Ambient Temp.	TM-21 Theoretical L70 (hours)
25° C (77° F)	54,000

Load Information

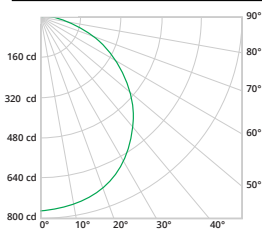
Power Factor	.90
THD	< 20%
Frequency	60 Hz
Low Temp Start / Max Temp	-20° C (-4° F) / 45° C (113° F)

PHOTOMETRIC SAMPLE

Luminaire Data: @3500K

CCT & CRI	3500K, 80+ CRI
Delivered Lumens	2057
Wattage	17.74W
Efficacy	116
Beam Angle	50%=108° 10%=159°
Spacing	0° = 1.22 90° = 1.22

Candela Plot



Photometric values based on tests performed in compliance with LM-63 & LM-79

