

DATE:	PROJECT:
TYPE:	NOTES:
CATALOG #:	

ERHB | ESSENTIAL ROUND HIGH BAY

3 LUMEN BOOST® | 3 CCT COLOR PREFERENCE®
0-10V Dimming | Efficacy up to 171 LPW

KEY FEATURES

ETI's sleek Essential Round High Bay is both CCT and wattage selectable—offering flexibility and efficiency. It also offers a sensor ready port for quick plug and play install.

CCT & Light Quality

- 3 Selectable CCTs (3500K, 4000K, 5000K), 80+ CRI

Light Output & Efficacy

- 3 Wattage Levels, 4 lumen packages:

15000 lm: 100 | 80 | 60W **30000 lm:** 200 | 180 | 150W
22500 lm: 150 | 120 | 100W **36000 lm:** 240 | 220 | 200W

Dimming, Voltage, Controls

- 0-10V dimming to 10%
- Universal voltage (120-277V)
- BBU & OC Sensor Accessories Available (order separately, field install)
- Life projected L70 > 54,000 hours

SPECIFICATIONS

Construction

- Die-cast aluminum housing, 1/2" NPT steel hook with locking screw
- Matte black or matte white finish options
- Thermal Management: Fixture top is designed to maximize heat dissipation

Optics

- Impact-resistant 90 degree polycarbonate lens (60 degree lens field-install option available)

Installation

- Comes with screw-in-hook mount
- Additional mounting kits available as accessories:

Yoke mount
1/2" to 3/4" pendent step mount
J-Box Mount

- 3 LUMEN BOOST® / 3 CCT COLOR PREFERENCE® for easy field-adjustable lumen / CCT selection with switch located on back panel. Factory set to highest wattage and 5000K.

Electrical

- 100,000 hour LEDs at L70 for reduced maintenance
- High ambient temp rating for demanding applications -40°C to 50°C (-40°F to 122°F)
- 120-277V and 347-480V options available, 50/60Hz
- Surge protection: LIN-PE: 6kV, L-N: 6kV
- 0-10V dimmable driver, down to 10%
- Ships at the highest wattage setting

Warranty

5-Year Standard Warranty. See terms at: [ETISSL.com/warranty/](https://www.etissl.com/warranty/)

KEY DATA		
LM Range for 15L pkg	60-80-100W	9492 - 16114
LM Range for 22L pkg	100-120-150W	15406 - 23529
LM Range for 30L pkg	150-180-200W	22242 - 30655
LM Range for 36L pkg	200-220-240W	28138 - 37943
Efficacy Range (LPW)	134 - 171	
Reported Life (Hours)	L70 / > 54,000	



Black Finish



White Finish



Certifications & Test Data

- All luminaires are built to UL 1598 standards and have the appropriate UL labels and information on product
- Wet location rated, IP65
- IK09 Rated—Impact Resistant
- Adheres to LM79, LM80, and TM21 industry standards for photometric, lumen maintenance and lifetime calculations
- DLC® (DesignLights Consortium) Premium. Please refer to DLC for specific product qualifications at www.designlights.org
- Driver rated for FCC part 15 Class B for use in residential or commercial applications



Essential Round High Bay 4 LUMEN BOOST® | 3 CCT COLOR PREFERENCE®

ORDERING GUIDE

ERHB		LB3	8	CP3	MV	LVD	
Series	Size (Lumen Package) ¹	Lumen Boost	CRI	CCT	Voltage	Dimming	Finish Color
ERHB Essential Round High Bay		LB3 3 Lumen Boost®	8 80CRI (min.)	CP3 3 CCT Color Preference® 35/4/5000K	MV Multi-Volt 120-277V	LVD Low Voltage Dimming 0-10V	BL Black WH White ¹
	15L 15000 lm	Lumen Pkg 15L 100 80 60W					
	22L 22500 lm	Lumen Pkg 22L 150 120 100W					
	30L 30000 lm	Lumen Pkg 30L 200 180 150W					
	36L 36000 lm	Lumen Pkg 36L 240 220 200W					

Notes: 1. Standard housing finish color is black. White housing finish color is available for 22L and 36L lumen packages only.

STOCK ORDERING INFORMATION

Catalog Part Number	Order Number	Description	CRI	CCT (CP3)	Wattage Level	Delivered Lumens ¹	LPW	Volt.	Dim	DLC ²								
ERHB-15L-LB3-8-CP3-MV-LVD-BL	63815102	Round High Bay, Lumen Package 15L, Black Finish	80+	3500K	100	14599	140	120-277V	0-10V	Premium								
					80	11755	146											
					60	9492	152											
					4000K	100	16114				162							
						80	12954				166							
						60	10401				171							
					5000K	100	15060				146							
						80	12629				155							
						60	10074				161							
ERHB-22L-LB3-8-CP3-MV-LVD-BL	63815202	Round High Bay, Lumen Package 22L, Black Finish	80+	3500K	150	20429	134	120-277V	0-10V	Premium								
					120	17875	146											
					100	15406	150											
					4000K	150	23529				161							
						120	19220				165							
						100	16757				169							
ERHB-22L-LB3-8-CP3-MV-LVD-WH	63815201	Round High Bay, Lumen Package 22L, White Finish	80+	5000K	150	21376	140	120-277V	0-10V	Premium								
					120	17805	149											
					100	15548	155											
					ERHB-30L-LB3-8-CP3-MV-LVD-BL	63816102	Round High Bay, Lumen Package 30L, Black Finish				80+	3500K	200	27581	137	120-277V	0-10V	Premium
													180	25233	141			
													150	22242	149			
4000K	200	30655	159															
	180	28218	164															
	150	24190	169															
5000K	200	28393	141															
	180	26669	148															
	150	22907	155															
ERHB-36L-LB3-8-CP3-MV-LVD-BL	63816202	Round High Bay, Lumen Package 36L, Black Finish	80+	3500K	240	33478	136	120-277V	0-10V	Premium								
					220	30267	136											
					200	28138	140											
					4000K	240	37943				162							
						220	33723				160							
						200	31094				162							
ERHB-36L-LB3-8-CP3-MV-LVD-WH	63816201	Round High Bay, Lumen Package 36L, White Finish	80+	5000K	240	33841	139	120-277V	0-10V	Premium								
					220	31247	143											
					200	29319	147											

Notes: 1. Lumens based on black finish fixtures. For more delivered lumens and test data on below, or visit ETISSL.com
2. Use Catalog Part Number to search DLC QPL

Essential Round High Bay 4 LUMEN BOOST® | 3 CCT COLOR PREFERENCE®

MADE-TO-ORDER PRODUCT INFO (Longer lead times apply. Contact ETI for details.)¹

Catalog Part Number	Order Number	Description
ERHB-15L-LB3-8-CP3-MV-LVD-BL-OS	63815102-I	ER High Bay, 15000 Lumen Package, Black Finish, with OC Sensor
ERHB-22L-LB3-8-CP3-MV-LVD-WH-OS	63815201-I	ER High Bay, 22500 Lumen Package, White Finish, with OC Sensor
ERHB-22L-LB3-8-CP3-MV-LVD-BL-OS	63815202-I	ER High Bay, 22500 Lumen Package, Black Finish, with OC Sensor
ERHB-30L-LB3-8-CP3-MV-LVD-BL-OS	63816102-I	ER High Bay, 30000 Lumen Package, Black Finish, with OC Sensor
ERHB-36L-LB3-8-CP3-MV-LVD-WH-OS	63816201-I	ER High Bay, 36000 Lumen Package, White Finish, with OC Sensor
ERHB-36L-LB3-8-CP3-MV-LVD-BL-OS	63816202-I	ER High Bay, 36000 Lumen Package, Black Finish, with OC Sensor
ERHB-15L-LB3-8-CP3-MV-LVD-BL-EM-R25	63815102-EM	ER High Bay, 15000 Lumen Package, Black Finish, with Round 25W BBU Install Kit
ERHB-22L-LB3-8-CP3-MV-LVD-WH-EM-R25	63815201-EM	ER High Bay, 22500 Lumen Package, White Finish, with Round 25W BBU Install Kit
ERHB-22L-LB3-8-CP3-MV-LVD-BL-EM-R25	63815202-EM	ER High Bay, 22500 Lumen Package, Black Finish, with Round 25W BBU Install Kit
ERHB-30L-LB3-8-CP3-MV-LVD-BL-EM-R40	63816102-EM	ER High Bay, 30000 Lumen Package, Black Finish, with Round 40w BBU Install Kit
ERHB-36L-LB3-8-CP3-MV-LVD-WH-EM-R40	63816201-EM	ER High Bay, 36000 Lumen Package, White Finish, with Round 40w BBU Install Kit
ERHB-36L-LB3-8-CP3-MV-LVD-BL-EM-R40	63816202-EM	ER High Bay, 36000 Lumen Package, Black Finish, with Round 40w BBU Install Kit

ACCESSORIES (must be ordered separately, field installed)

Occupancy Sensor^{1,2,3} ⚠️ Not compatible with below BBU Products

Catalog Part Number	Order Number	Description
ERHB-QI-OCC-MS	70221101	ERHB Quick Install DC Occupancy Sensor SPEC SHEET DOWNLOAD
ERHB-RCOP	70222101	ERHB Remote Control Occupancy Programmer SPEC SHEET DOWNLOAD



ERHB Remote Control Occupancy Programmer
ERHB-RCOP



ERHB Quick Install DC Occupancy Sensor
ERHB-QI-OCC-MS

- Notes:
- Factory OC sensor settings can be changed w/ (ERHB-RCOP) handheld remote programmer accessory. (must be ordered separately)
 - Max handheld remote programmer operating distance of 49.2' (15m) See Instruction Manual for settings & details.
 - OCC Default setting:
Brightness 100%. Hold time 1minute, Stand-by dimming level 20% Stand-by time 1minute, Sensitivity 100%, Daylight Disable
 - OC Sensor CANNOT be used or installed with below BBUs

ACCESSORIES (must be ordered separately, field installed)

Emergency LED Driver/BBU² ⚠️ Not compatible with ERHB Quick Install DC Occupancy Sensor

Order Number	Description	Details	CA Title 20 MAEDBS (BBU)	
70112201-2-KIT (EMUFO-25170-YY-KIT) ³	Round, 25W, IP65, 90 min. install kit (GEN 3)	Ideal for pendant/suspension installations SPEC SHEET DOWNLOAD (located on ETISSL.com)	Search: EMUFO-25170-YY	
70114401-2-KIT (EMUFO-40170-YY-KIT) ³	Round, 40W, IP65, 90 min. install kit (GEN 3)	Ideal for pendant/suspension installations SPEC SHEET DOWNLOAD (located on ETISSL.com)	Search: EMUFO-40170-YY	
70203101 (EM-R-TEST-REMOTE) ⁴	Round BBU handheld test remote	BBU handheld test remote compatible w/ Round BBUs only (70112201-2, 70114401-2 models) & max handheld test remote operating distance of 98' (29.9m).	MANUAL DOWNLOAD (located on ETISSL.com)	

- Notes:
- Multiply the LPW of specified SKU by BBU wattage for the approximate delivered lumens. (Ex. 127 LPW x 40-watts = approximately 5000 lumens)
 - BBUs CANNOT be used or installed with above OC Sensor
 - EMUFO-25170-YY-KIT must be used with ERHB15L and ERHB22L models and EMUFO-40170-YY-KIT must be used with ERHB30L and ERHB36L models.
 - BBU handheld test remote max operating distance is 98' (29.9m)

Essential Round High Bay 4 LUMEN BOOST® | 3 CCT COLOR PREFERENCE®

OPTIONAL MOUNTING ACCESSORIES (must be ordered separately)

Catalog Part Number	Order Number	Description
ERHB-YM-SM-W	70520101	Essential Series Round High Bay, Yoke Mount, Small Size (100W, 150W), White
ERHB-YM-SM-B	70518101	Essential Series Round High Bay, Yoke Mount, Small Size (100W, 150W), Black
ERHB-YM-LG-W	70521101	Essential Series Round High Bay, Yoke Mount, Large Size, (200W-240W), White
ERHB-YM-LG-B	70519101	Essential Series Round High Bay, Yoke Mount, Large Size, (200W-240W), Black
ERHB-JBM	70524101	Essential Series Round High Bay, Junction Box Mount
ERHB-PSM	70341101	Essential Series Round High Bay, Pendant Step Mount
ERHB-AR-SM	70513101	Essential Series Round High Bay, Aluminum Reflector, Small (100W-150W)
ERHB-AR-LG	70514101	Essential Series Round High Bay, Aluminum Reflector, Large (200W-240W)
ERHB-PC-SM	70516101	Essential Series Round High Bay, Polycarbonate Reflector, Small (100W-150W)
ERHB-PC-LG	70517101	Essential Series Round High Bay, Polycarbonate Reflector, Large (200W-240W)
ERHB-60-SM	70411101	Essential Series Round High Bay, 60 Degree Lens, Small (100W-150W)
ERHB-60-LG	70412101	Essential Series Round High Bay, 60 Degree Lens, Large (200W-240W)
ERHB-WG-SM	70522101	Essential Series Round High Bay, Wire guard, Small (100W-150W)
ERHB-WG-LG	70523101	Essential Series Round High Bay, Wire guard, Large (200W-240W)
ERHB-STD-XMFR	70223101	Essential Series Round High Bay, 480VAV to 208VAC, 325 VAC Stepdown Transformer



Small Aluminum Reflector
ERHB-AR-SM



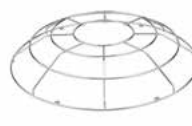
Large Aluminum Reflector
ERHB-AR-LG



Small Polycarbonate Reflector
ERHB-PC-SM



Large Polycarbonate Reflector
ERHB-PC-LG



Small Wire Guard
ERHB-WG-SM



Large Wire Guard
ERHB-WG-LG



ERHB-YM-SM-B
Small Yoke Mount
Black



ERHB-YM-LG-B
Large Yoke Mount
Black



ERHB-YM-SM-W
Small Yoke Mount
White



ERHB-YM-LG-W
Large Yoke Mount
White



Junction Box Mount
ERHB-JBM

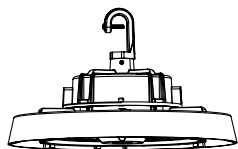


Pendant Step Mount
ERHB-PSM

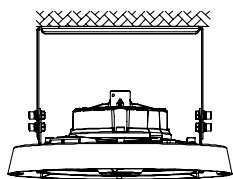


480VAV to 208VAC, 325 VAC
Stepdown Transformer
ERHB-STD-XMFR

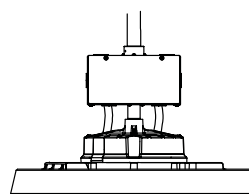
MOUNTING / DETAILS



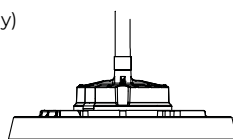
Hook Mount Included



Yoke Mount
(order separately)



J-Box Mount
(order separately)



1/2" to 3/4" NPT Pendant
Step Mount
(order separately)



Factory settings:
5000K

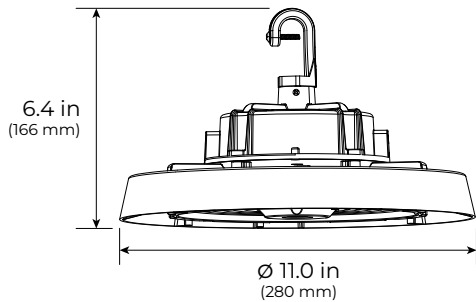


Factory settings:
15L: 100W
22L: 150W
30L: 200W
36L: 240W

Essential Round High Bay 3 LUMEN BOOST® | 3 CCT COLOR PREFERENCE®

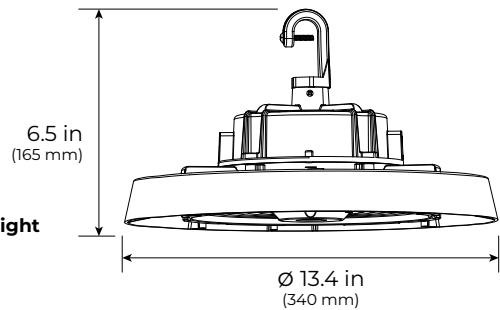
DIMENSIONS

15L/22L Models



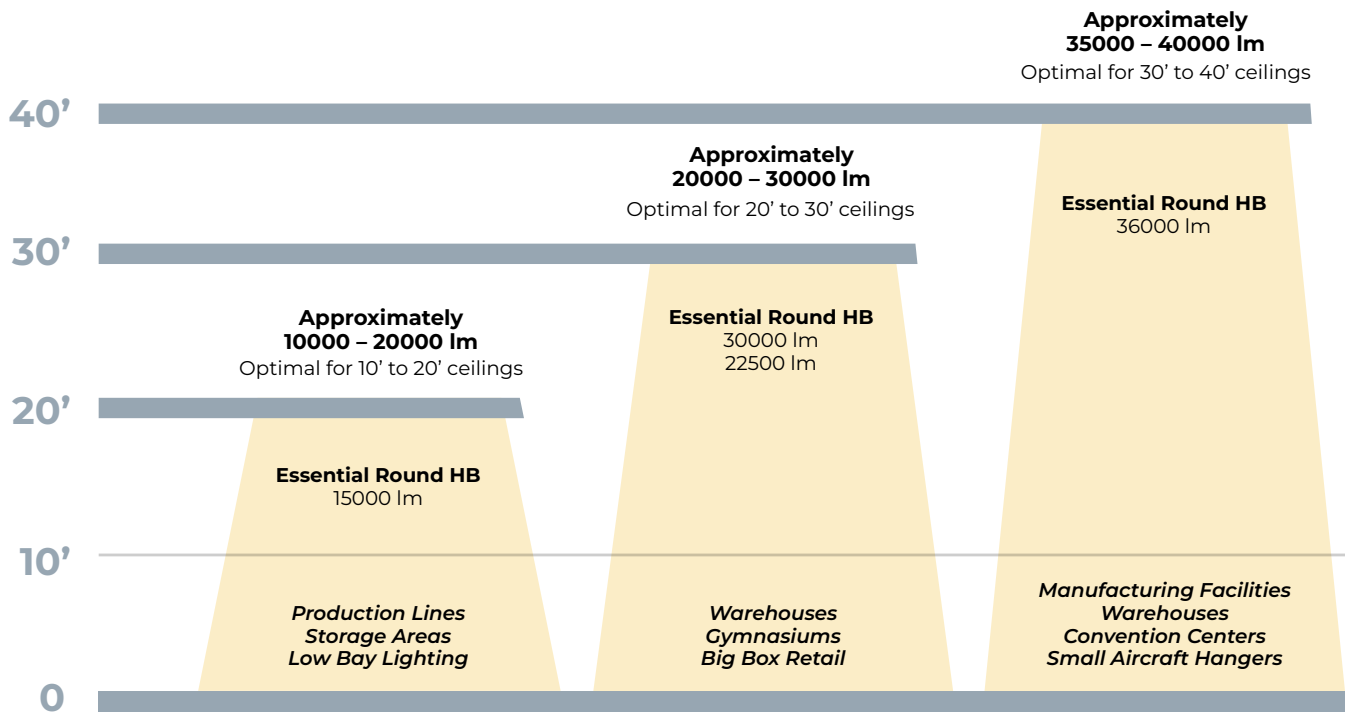
Unit Weight
5.07 lbs.

30L/36L Models



Unit Weight
7.05 lbs.

MOUNTING HEIGHT GUIDE



PERFORMANCE / DATA

Lumen Maintenance

Ambient Temp.	TM-21 Lumen Maintenance (54,000 hours)
25° C (77° F)	87.80%
Ambient Temp.	TM-21 Theoretical L70 (hours)
25° C (77° F)	> 54,000

Load Information

Power Factor	.90
THD	< 20%
Frequency	50/60 Hz
Low Temp Start / Max Temp	-40° C (-40° F) / 50° C (122° F)

PHOTOMETRIC SAMPLES

IES

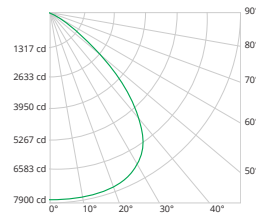
15000 LM Package @ 100W

Luminaire Data

CCT & CRI	4000K, 80CRI minimum
Initial Delivered Lumens	16114
Wattage	99.2
Efficacy	162.4
Beam Angle	50% = 89.6° 10% = 126.3°
Spacing	0° = 1.33 90° = 1.33

Photometric values based on tests performed in compliance with LM-63 & LM-79

Indoor Candela Plot



Zonal Lumen Summary

Zone	Lumens	% Luminaire
0-30	6379.9	39.6%
0-40	10404.8	64.6%
0-60	14910.0	92.6%
0-90	15893.1	98.7%
0-180	16106.6	100%

IES

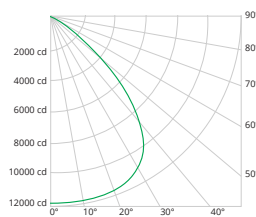
22000 LM Package @ 150W

Luminaire Data

CCT & CRI	4000K, 80CRI minimum
Initial Delivered Lumens	23529
Wattage	146.2
Efficacy	162
Beam Angle	50% = 88.2° 10% = 125.5°
Spacing	0° = 1.3 90° = 1.32

Photometric values based on tests performed in compliance with LM-63 & LM-79

Indoor Candela Plot



Zonal Lumen Summary

Zone	Lumens	% Luminaire
0-30	9329.3	39.7%
0-40	15214.8	64.7%
0-60	21777.3	92.6%
0-90	23210.1	98.7%
0-180	23521.8	100%

IES

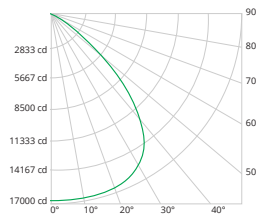
30000 LM Package @ 200W

Luminaire Data

CCT & CRI	4000K, 80CRI minimum
Initial Delivered Lumens	30655
Wattage	192.2
Efficacy	159.5
Beam Angle	50% = 81.9° 10% = 124.1°
Spacing	0° = 1.24 90° = 1.27

Photometric values based on tests performed in compliance with LM-63 & LM-79

Indoor Candela Plot



Zonal Lumen Summary

Zone	Lumens	% Luminaire
0-30	12857.1	42.0%
0-40	20408.1	66.6%
0-60	28249.6	92.2%
0-90	30252.5	98.7%
0-180	30639.6	100%

IES

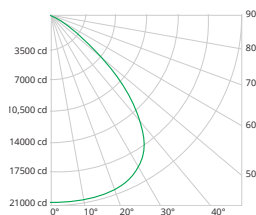
36000 LM Package @ 240W

Luminaire Data

CCT & CRI	4000K, 80CRI minimum
Initial Delivered Lumens	37943
Wattage	234.2
Efficacy	162.0
Beam Angle	50% = 81.8° 10% = 123.3°
Spacing	0° = 1.20 90° = 1.30

Photometric values based on tests performed in compliance with LM-63 & LM-79

Indoor Candela Plot



Zonal Lumen Summary

Zone	Lumens	% Luminaire
0-30	16016.5	42.2%
0-40	25315.2	66.7%
0-60	34949.6	92.2%
0-90	37441.6	98.7%
0-180	37924.1	100%