

DATE:	PROJECT:
TYPE:	NOTES:
CATALOG #:	

PPF | PREMIUM BACK-LIT FLAT PANELS

2X2 | 3 LUMEN BOOST® | 3 CCT COLOR PREFERENCE®

KEY FEATURES

Each back-lit luminaire is ultra thin with an overall height of 1.5" to fit shallow plenums and are IC rated for direct contact with insulation.

CCT & Light Quality

- 3 Selectable CCTs (3500K, 4000K, 5000K)
- 80+ CRI

Light Output & Efficacy

- 3 Selectable Lumens: 2700/3600/4000 lumens
- Efficacy Rating Range @4000K: 135 – 145
- 90% lumen maintenance @ 44,000 hours and projected L70 @ 144,000 hours.

Dimming, Voltage, Controls

- 0-10V dimming to 10%
- Universal voltage (120-277V)
- BBU Options Available

SPECIFICATIONS

Construction

- Aluminum frame and steel housing backplate
- Luminaire backplate is die formed steel and post painted

Optics

- PMMA lens for optimal light distribution
- Frosted diffuser delivers even illumination and diminished glare

Installation

- Includes earthquake clips for secure installation in grid ceilings
- Mounting kits available as accessories:

Surface Mount Kits
Flange Mounting Kits
Cable Mounting Kits

- 3 LUMEN BOOST® / 3 CCT COLOR PREFERENCE® for easy field-adjustable lumen / CCT selection with switch located on back panel.

Electrical

- 144,000 hour LEDs at L70 for reduced maintenance
- Operates at 120-277V 50/60Hz
- 0-10V dimmable driver, down to 10%
- Emergency BBU options available

Warranty

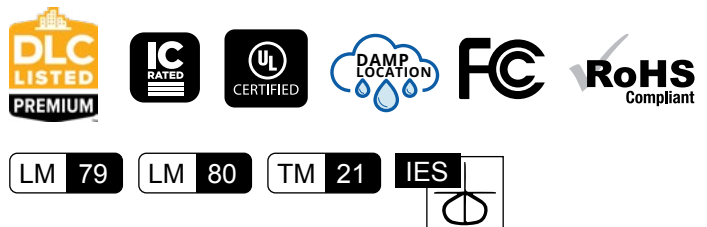
5-Year Standard Warranty year warranty on electronics and housing



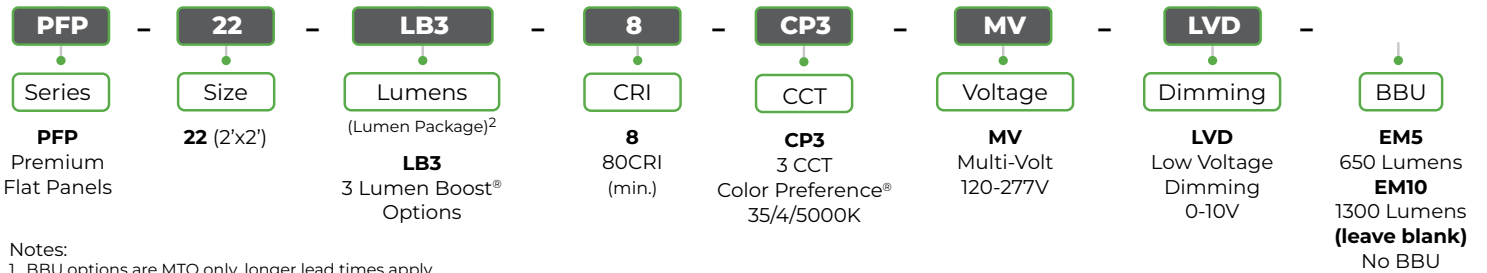
Certifications & Test Data

- cULus Listed, Damp location Rated
- Flicker free per IEEE1789 2015
- Adheres to LM79, LM80, and TM21 industry standards for photometric, lumen maintenance and lifetime calculations
- DLC® (DesignLights Consortium) Premium. Please refer to DLC for specific product qualifications at www.designlights.org
- IC Rated for direct contact with insulation
- Surge immunity protection = 1kV.
- Driver rated for FCC part 15 Class B for use in residential or commercial applications

KEY DATA	
Lumen Range	2733 – 4290
Wattage Range	19 – 32
Efficacy Range (LPW)	126 – 145
Reported Life (Hours)	L70 / 144,000



ORDERING GUIDE (typical 2-3 day shipment lead time)¹



ORDER INFORMATION / SPEC DETAILS

Catalog Part Number	Description	DLC	CCT	Watts	LB3 Lumen Package	Delivered Lumens	Efficacy		
2' x 2' PFP-22-LB3-8-CP3-MV-LVD	2'x2' Flat Panel	Premium, Search: PNL2X2-40L-LKFS	3500K	35	4000	4072	126		
				28	3600	3632	131		
				20	2700	2733	136		
			4000K			35	4000	4290	135
						28	3600	3810	142
						20	2700	2802	145
			5000K			35	4000	4179	130
						28	3600	3743	136
						20	2700	2810	141

ELECTRICAL DATA

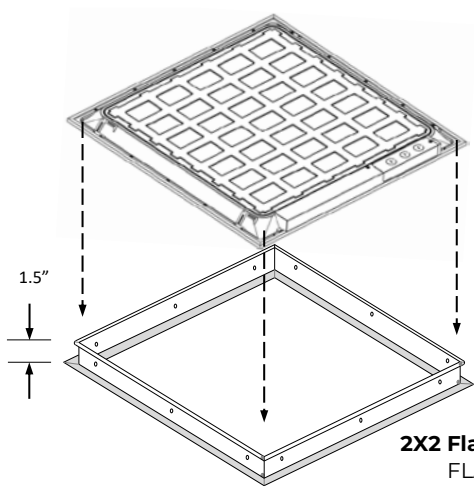
Luminaire	Voltage	Input Current Range per lumen level (nominal)		
		Highest lm setting	Middle lm setting	Lowest lm setting
2'X2' (PFP-22-LB3-8-CP3-MV-LVD)	120V	.27A	.23A	.16 - .17A
	240V	.13A	.11 - .12A	.08A
	277V	.12A	.10A	.07A

MADE-TO-ORDER PRODUCT INFO (Longer lead times apply. Contact ETi for details.)

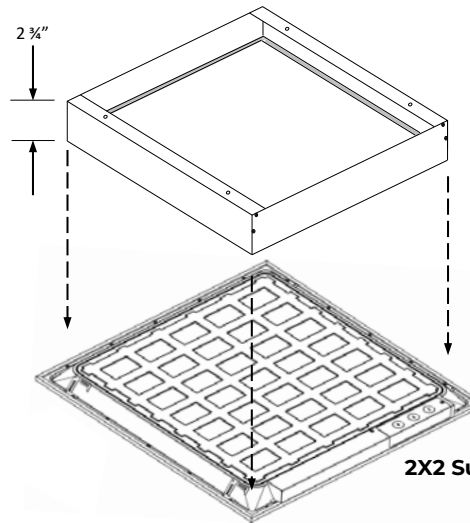
Catalog Part Number	Description
PFP-22-LB3-8-CP3-MV-LVD-EM5	2'x2' Flat Panel with 650 lm BBU
PFP-22-LB3-8-CP3-MV-LVD-EM10	2'x2' Flat Panel with 1300 lm BBU

OPTIONAL MOUNTING ACCESSORIES (must be ordered separately)

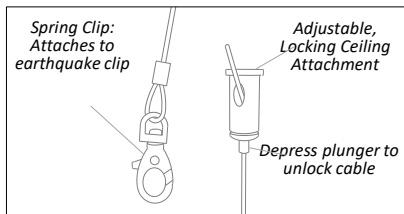
Catalog Part Number	Description
SMKT-22	PFP 2x2 Surface Mount Kit
FLANGEKIT22-ET	PFP 2x2 Flange Mount Kit
PNL-CMK	PFP Cable Mount Kit



2X2 Flange Mounting Kit
FLANGEKIT22-ET



2X2 Surface Mounting Kit
SMKT-22



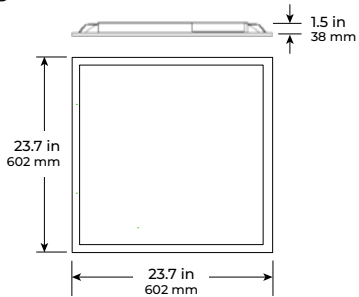
Cable Mounting Kit

PFP-CMK

- Spring Clip
- Adjustable, locking, ceiling attachment

DIMENSIONS / DETAILS

2'x2'



Unit Weight
4 lbs

PERFORMANCE / Data

Lumen Maintenance

Ambient Temp.	TM-21 Lumen Maintenance (44,000 hours)
25° C (77° F)	90%
Ambient Temp.	TM-21 Theoretical L70 (hours)
25° C (77° F)	144,000

Load Information

Power Factor	> 0.90
THD	< 20%
Frequency	50/60 Hz
Sound Rating	< 20 Dba
Low Temp Start / Max Temp	-20° C (-4° F) / 40° C (104° F)

PHOTOMETRIC SAMPLES

2'x2'



Luminaire Data: 2x2 at 4000 lm 5000K

CCT & CRI	5000K, 80+ CRI
Initial Delivered Lumens	4179
Wattage	32 W
Efficacy	130
Spacing	0° = 1.30 90° = 1.28

Photometric values based on tests performed in compliance with LM-63 & LM-79

Zonal Lumen Summary

Zone	Lumens	% Luminaire
0-30	1098	26.3%
0-40	1810	43.3%
0-60	3240	77.5%
0-90	4175	99.9%
0-180	4179	100%

Indoor Candela Plot

