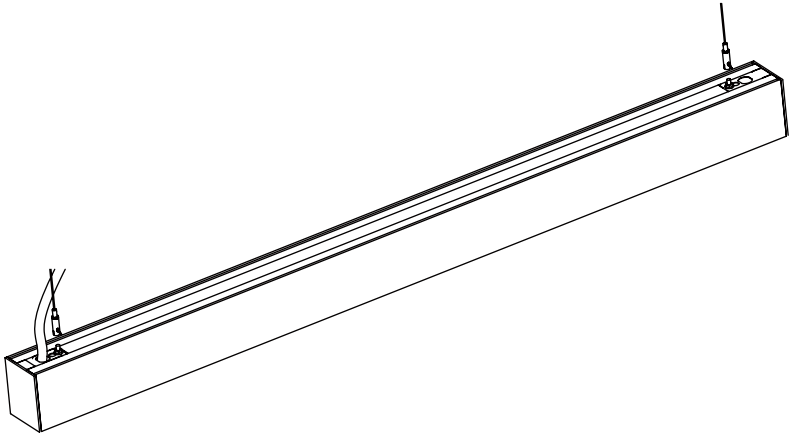


USE AND CARE GUIDE

4FT LED LINEAR LIGHT



Questions, problems, missing parts?
Call ETiSSL Customer Service
8 a.m. - 5 p.m., CST, Monday - Friday

1-855-ETI-SSL (1-855-384-7754)

www.ETiSSL.com

THANK YOU

*We appreciate the trust and confidence you have placed in ETi through the purchase of this LED light.
Visit us online to see our full line of products. Thank you for choosing ETi!*

Warranty

This product is warranted for a period of 5 years from the date of original purchase against defects in materials and workmanship. If this product should fail to operate due to defects in material or workmanship within 60 months of purchase, see www.ETISSL.com for details. This product will be repaired or replaced, at ETI's option. This warranty is expressly limited to repair or replacement of product, and liability for direct, incidental, or consequential damages is hereby expressly excluded. Some states do not allow exclusions of direct, incidental or consequential damages, so the above limitation of exclusion may not apply to you. This warranty gives the consumer specific legal rights, which vary from state to state. **WARRANTY IS VOID IF PRODUCT IS NOT USED FOR THE PURPOSE WHICH THIS PRODUCT IS MANUFACTURED.**

Pre-Installation

PLANNING INSTALLATION

Before beginning assembly, installation or operation of product, make sure all parts are present. Compare parts with the package contents list. If any part is missing or damaged, do not attempt to assemble, install or operate the product. Contact customer service for replacement parts.



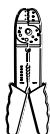
NOTE: Keep your receipt and these instructions for proof of purchase.

If you are unfamiliar with electrical installations, we recommend you contact a qualified electrician to do the installation.



NOTE: Two people are recommended for the installation of this light fixture.

TOOLS REQUIRED



Wire Strippers



Safety Goggles



Ladder



Gloves



Flathead Screwdriver



Phillips Screwdriver



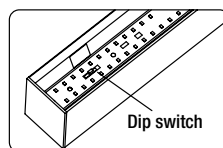
Wire Cutters



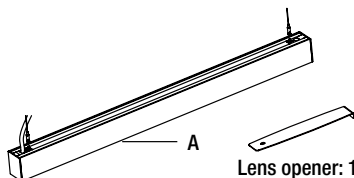
Power Drill with drill bits

PACKAGE CONTENTS

Part	Description	Quantity
A	4FT LED Linear Light	1



DIP switch for CCT (Factory default setting is at 4000K)



Lens opener: 1 pc

Surface Mounted Kits: x 1 set
(Standard Accessories with Fixture)



4*12 plain washers x 2



M4*25 self tapping screw x 2



Anchors x 2

Mounting Accessories Available To Purchase

The hardware kits are sold as a separate accessory. Visit www.ETISSL.com for more information and to purchase.

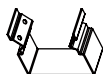


NOTE: Hardware not shown to actual size.

Part	Description	Quantity
AA	8FT Suspension Mounting Kit	1
BB	Straight Run Joiner 4FT to 4FT	1
CC	4FT Recessed Flange Kit	1
DD	Drywall/Mud-In Recessed Mounting Kit	1
EE	T Grid Bar Surface Mounting Kit	1
FF	8FT 5-wire Power Cord Kit	1

Straight Run Joiner 4FT to 4FT (BB)

Model# 70326101/ Part# LLF-SCL-2.75IN



Connection U
Bracket x 1



M4x8 Self-drilling
screws x 2



M4*12
screw x1

4FT Recessed Flange Kit (CC)

Model# 70324101/ Part# LLF-RF-4FT-WHT for White Color
Model# 70324102/ Part# LLF-RF-4FT-BLK for Black Color



M4x8 Self-drilling
Screws 4ft: x10



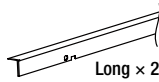
M4x50 Screw
x 2



Short x 2



Clip x 2



Long x 2



Spring x 2

T Grid Bar Surface Mounting Kit (EE)

Model# 70327101/ Part# LLF-TC-4FT



T-shape bracket A
x 2



Screw for T-shape
brackets x 2



Nut for T-shape
brackets x 2



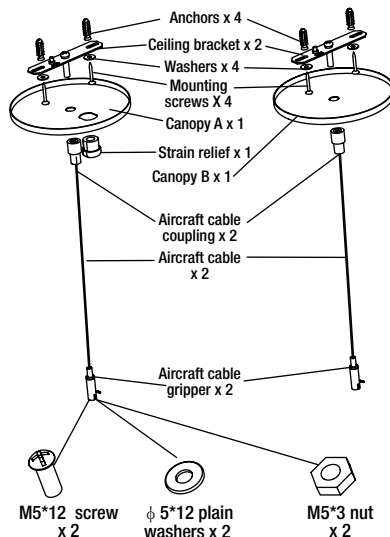
L-shape bracket B
x 2



Plain washers for
T-shape brackets x 2

8FT Suspension Mounting Kit (AA)

Model# 70322101/ Part# LLF-8FTAC-CC-WHT for White Color
Model# 70322102/ Part# LLF-8FTAC-CC-BLK for Black Color



Drywall/Mud-In Recessed Mounting Kit (DD)

Model# 70325101/ Part# LLF-RMI-4FT



Anchors x 8



φ 4*12 plain washers x 8



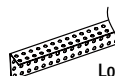
M4*25 self tapping screw
4ft: x 8



M4x8 Self-drilling Screws
4ft: x12



Short x 2



Long x 2

8FT 5-wire Power Cord Kit (FF)

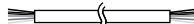
Model# 70323101/ Part# LLF-8FT5W-PW-BLK for Black Color
Model# 70323102/ Part# LLF-8FT5W-PW-WHT for White Color



Wire nuts x 3

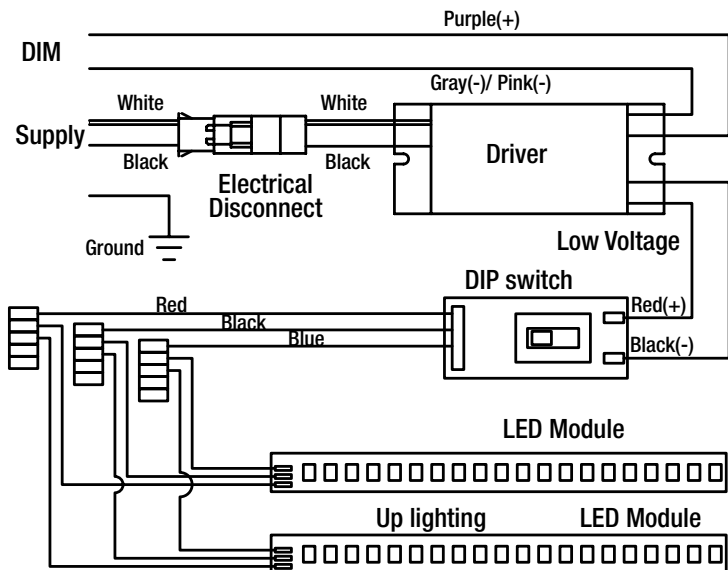


Strain Relief for 5 wire power cable
x 1



8FT 5-wire Power
Cord x 1

Wiring diagram



SAFETY WARNING:

To avoid electric shock:

Be certain electrical power is OFF before and during installation and maintenance.

Luminaire must be supplied by a wiring system with an equipment grounding conductor.

To avoid burning hands:

Make sure lens and housing are cool when performing maintenance.

To avoid product degradation: Make sure the wire supply voltage is the same as the luminaire supply

Use proper supply wiring as specified on the luminaire nameplate.

Avoid use in environments containing sulfur, chlorine, or other halides, methyl acetate or ethyl acetate, cyanoacrylates, glycol ethers, formaldehyde or butadiene.

Notes:

Instructions do not cover all details and all possible product configurations. Do not restrict luminaire ventilation.

Ensure LED luminaire is not covered with material that will prevent convection or conduction cooling.

Ensure LED luminaire has the correct polarity before installation. Avoid exposing wiring to metal edges and sharp objects.

Maintenance:

Perform visual, electrical, and mechanical inspections on a regular basis. The environment and frequency of use should determine this. However, it is recommended that checks be made at least once a year. Electrically check to make sure that all connections are clean and tight. Mechanically check that all parts are properly assembled.

Read Instruction manual carefully to ensure proper installation.

Please keep this instruction manual for future using!



WARNING: To avoid the risk of fire, or electric shock this product should be installed, inspected, and maintained by a qualified electrician only. Installation should be completely by an individual familiar with the construction and operation of the luminaire. Installation of luminaire must be in accordance with nation and local building and electrical codes.

SURFACE MOUNTED (Use standard accessories with fixture)



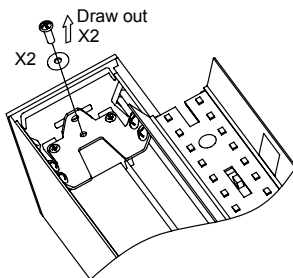
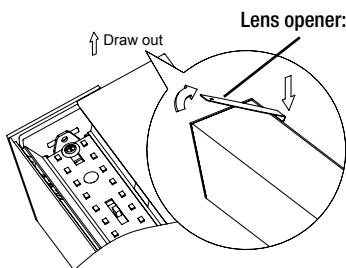
Lens opener: 1 pc



Surface Mounted Kits: x 1 set
Including: M4*25 self tapping screw x 2 pc
φ 4*12 plain washers x 2 pc
Anchors x 2

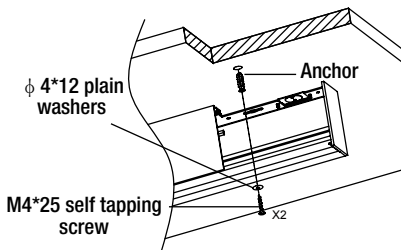
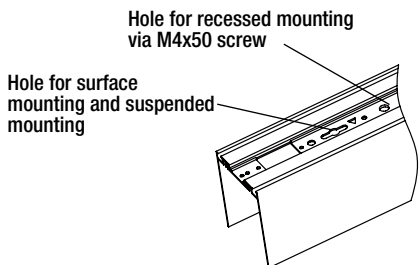
(A) Insert the lens opener into the middle part of the lens, and lift up the lens slowly.

(B) Draw out the screws and washers at both ends of fixture, take out the reflector.



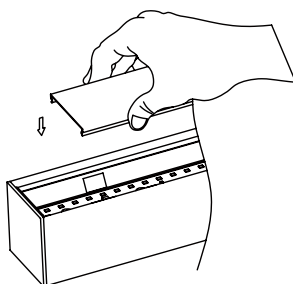
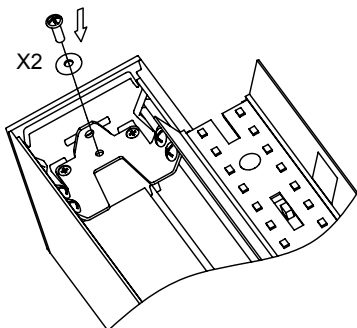
(C) Find out the hole for surface mounting.

(D) Use the screws/washer/anchor to fix the fixture to the ceiling.



(E) Put the reflector back and fix it with the screws and washers at both ends.

(F) Squeeze the lens and fasten the lens back to the housing from one end to the other.



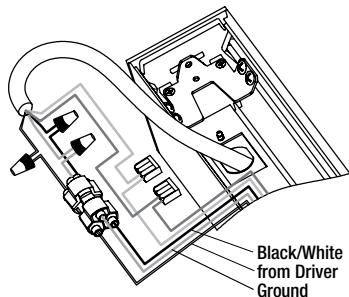
Installation

Connecting 8FT 5-wire Power Cord (Use mounting accessories FF)

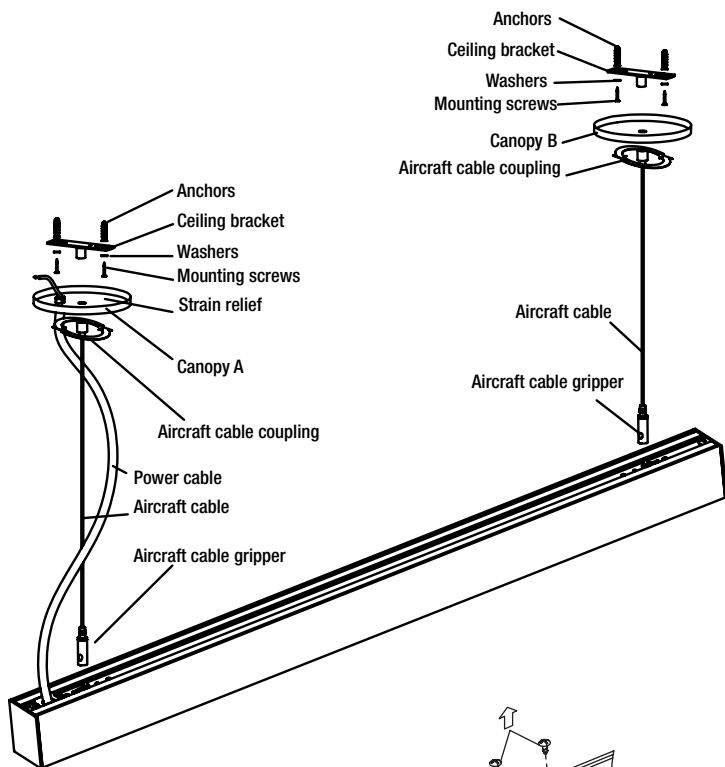
A). Open the lens, referring to steps A & B in SURFACE MOUNTED installation.

B). Use 3 pcs of wire nuts (packed with 5 Wire Cable) to connect the white, black, ground wire from the fixture and white, black, ground wire from the 5-wire power cord;

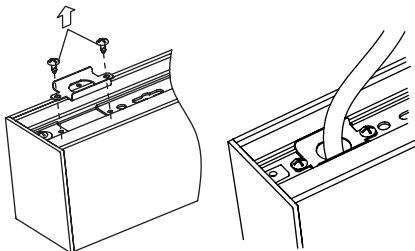
C). Insert the dimming wires (pink wire, purple wire) of the 5-wire cord into the connectors which are connected with the dimming wire (pink wire, purple wire) from driver of fixture, make sure the pink wire is connected with pink wire, and purple wire is connected with purple wire.



SUSPENDED MOUNT (Use mounting accessories AA)



- (A) Break through the knock out hole, then remove the access plate, take the 5 wire cable out of the housing through the rectangle hole after removing the access plate.
- (B) Put the 5 power cable through the knock out hole on the access plate, and fix the access plate back to the fixture with screws.

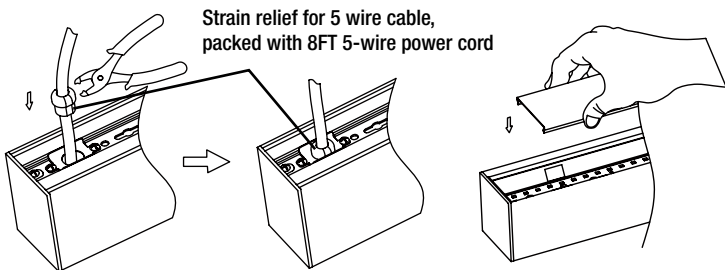


Installation

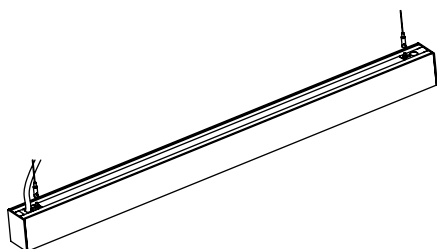
SUSPENDED MOUNT (Continued)

(C) Fix the strain relief with plier.

(D) Squeeze the lens and fasten the lens back to the housing from one end to the other



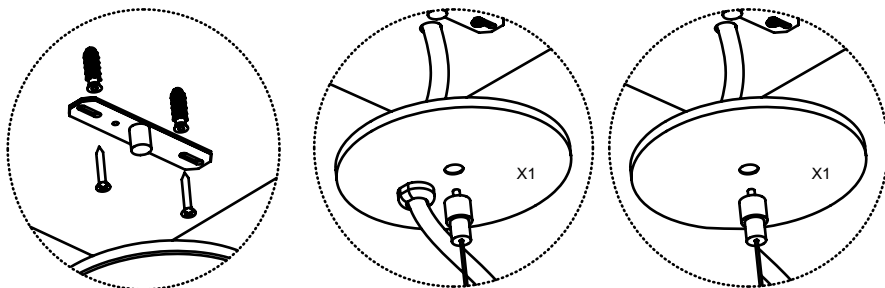
(E) Locate holes for suspended mounting on the ceiling.



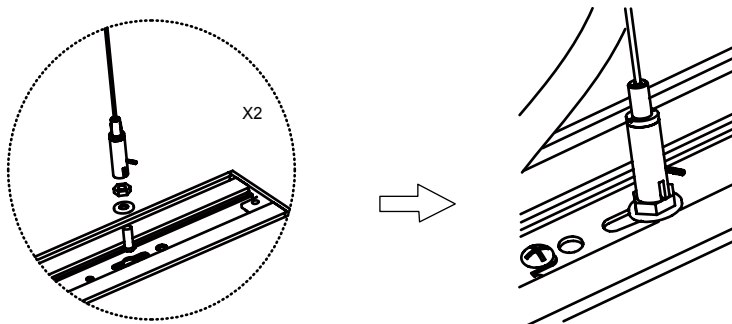
	2ft	3ft	4ft	5ft	6ft	8ft
L	24.06" 611mm	35.75" 909mm	47.48" 1206mm	59.29" 1506mm	71.10" 1806mm	94.53" 2401mm
L1	17.13" 435mm	28.82" 732mm	40.55" 1030mm	52.36" 1330mm	64.17" 1630mm	87.60" 2225mm

(F) Fix 2 pcs of ceiling bracket to the ceiling with screws, washer and anchors.

(G) Put the 5 wire cable through hole of canopy A with the strain relief, connect 5 wire cable to the AC, dimming wiring and ground. Fix 2 pcs of canopies to the ceiling bracket with the couplings.



(H) Loose the screw/washer/nut from the gripper, put the head of screw into the key hole and push it to the end, then tighten the screw and washer with the nut, fix the gripper back to the screw.



Installation

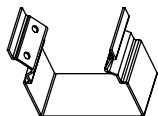
CONNECTION (Use mounting accessories BB)

■ Needed accessories:



Tool to open lens

■ Connection Kits



Connection U Bracket



M4x8 Self-drilling screws x2

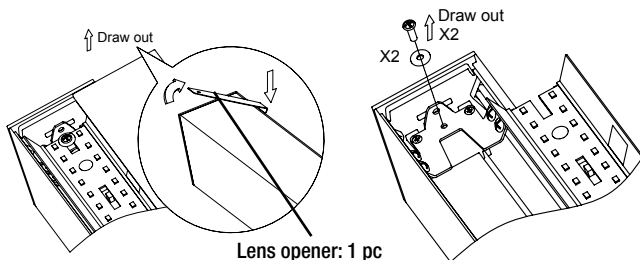


M4*12 screw x1

(A) Insert the lens opener into the middle part of the lens, and lift up the lens slowly.

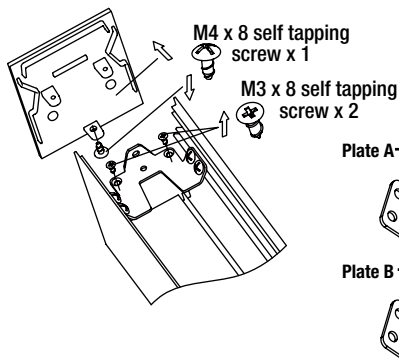
(B) Draw out the screws and washers at both ends of fixture, take out the reflector.

(C) Loose the screws of end caps of fixtures which are needed to be connected, take the end caps out.



NOTE: This 2 plates are needed for connection, Plate A & B are different, plate A is with flat top and unthreaded hole, plate B is with curve top and threaded hole. Sticker A & B are put on back of each fixture to show the direction in connection.

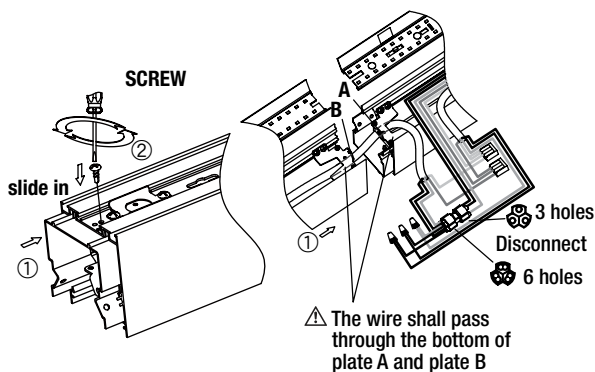
(D) Slide the U-shape connection bracket into the gaps between the plate A and the housing, fix the U-shape connection bracket with the M4x8 Self-drilling screw through the second hole on the back.



(E) Connect 8FT 5-wire power cord referring to steps of connecting 8FT 5-wire power cord installation.

E-1 Pass the connected 5-wire cord of the fixture to the other fixture through the bottom of end cover fixing pieces plate A and plate B. There are 3 holes left on the 6-hole side of the disconnect in the other fixture, insert the live wire, neutral wire, ground wire into these 3 holes according to the same color of holes of disconnect.

E-2 Insert the dimming wires (pink wire, purple wire) of 5 wire cable into the connectors which are connected with the dimming wire (pink wire, purple wire) from driver of the other fixture, make sure the pink wire is connected with pink wire, and purple wire is connected with purple wire.



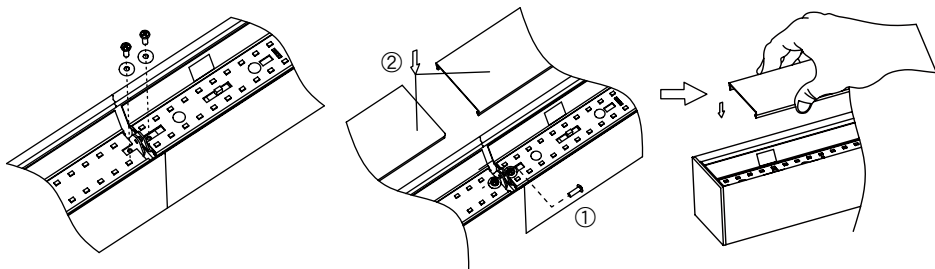
Installation

CONNECTION (Continued)

(F) Put the M4*12 screw x 1 and plastic washers x 2 back to both ends to fix the reflector.

(G) Put fixtures together and put the M4*12 screw from unthreaded hole on plate A to threaded hole on plate B for connection.

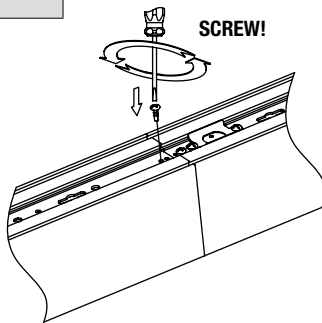
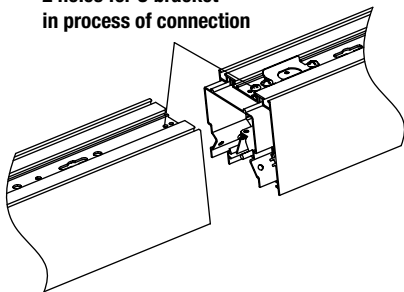
(H) Squeeze the lens and fasten the lens back to the housing from one end to the other end of each fixture.



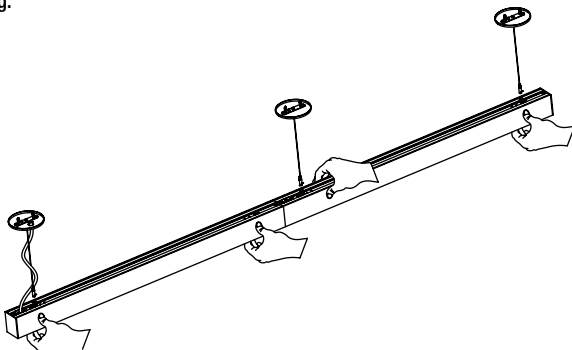
(I) Make sure fixtures connected in seamless way, then put the M4x8 Self-drilling screws through the second hole on back of fixture, and fix it.

 **NOTE:** Make sure total wattage of all fixtures in connection is less than 600 watts.

**2 holes for U bracket
in process of connection**



(J) Done, for suspended mounting, please refer to steps Suspended mount (Use mounting accessories AA) in suspended mounting.

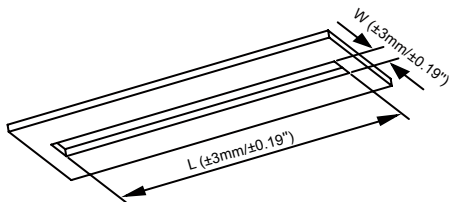


Installation

ALUMINUM FLANGE RECESSED MOUNTING (Use mounting accessories CC)

(A) Take out the lens and reflector, for steps in details, please refer to step A-B in surface mounting.

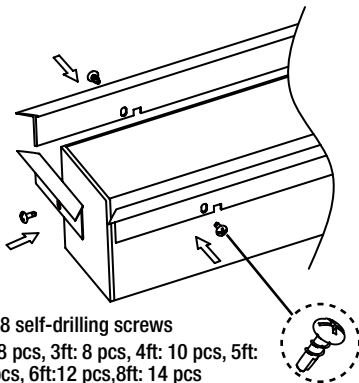
(B) Cut the hole according to right size below for recessed mounting.



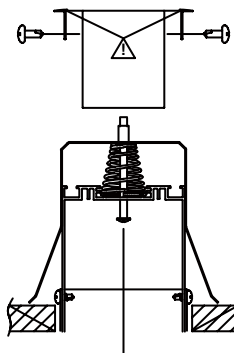
Opening size

	2ft	3ft	4ft	5ft	6ft8	ft
L	24.57" 624mm	36.26" 921mm	48" 1219mm	59.80" 1519mm	71.69" 1821mm	95.04" 2414mm
W	3.27" 83mm					

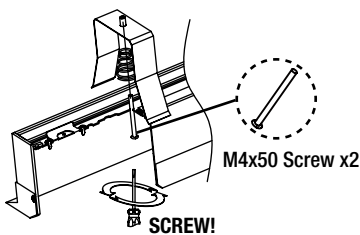
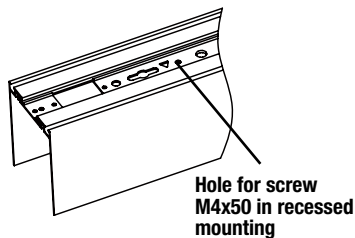
(C) Fix 2 pc of long flanges and 2 pc of short flanges to the housing through the holes on flanges with M4x8 self-drilling screws.



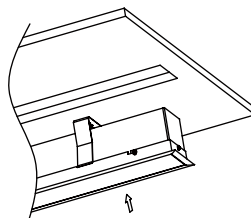
M4x8 self-drilling screws
 2ft: 8 pcs, 3ft: 8 pcs, 4ft: 10 pcs, 5ft:
 12 pcs, 6ft:12 pcs,8ft: 14 pcs



(D) Lock the screw M4x50 through the hole indicated on the right side, the screw will pass through the spring into the rivet on the clip, repeat the same steps on the other side.



(E) Insert the fixture with all recessed kits into the hole cut in step B, adjust the screw M4x50 to make the flanges are close to the ceiling.

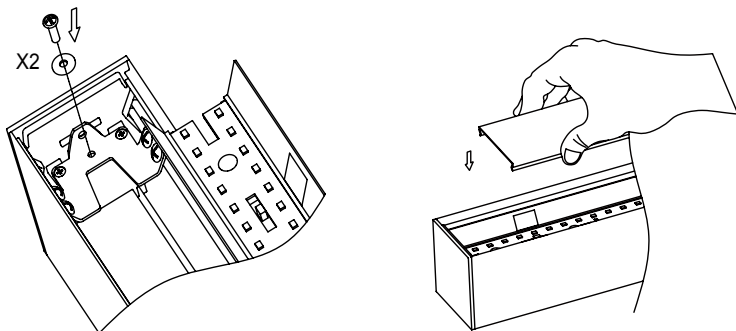


Installation

ALUMINUM FLANGE RECESSED MOUNTING (Continued)

(F) Put the reflector back and fix it with the screws and washers at both ends.

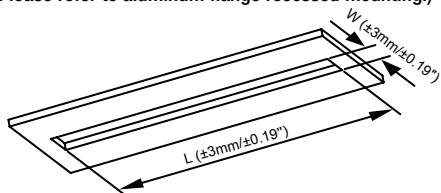
(G) Squeeze the lens and fasten the lens back to the housing from one end to the other.



DRYWALL/MUD-IN RECESSED MOUNTING (Use mounting accessories DD)

(A) Cut the hole according to right size for recessed mounting.

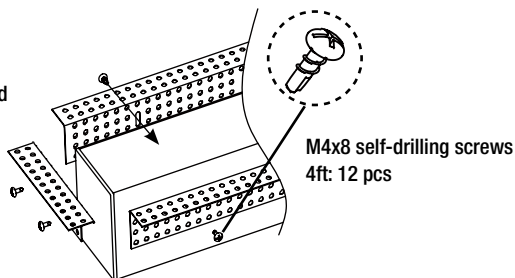
(Please refer to aluminum flange recessed mounting.)



Opening size

	2ft	3ft	4ft	5ft	6ft	8ft
L	24.57" 624mm	36.26" 921mm	48" 1219mm	59.80" 1519mm	71.69" 1821mm	95.04" 2414mm
W				3.27" 83mm		

(B) Use these special holes to fix all perforated flanges (2 long flanges and 2 short flanges) to the housing with the M4x8 self-drilling screws, the flanges need to be 2 mm/0.8 inch lower than the surface of lens, this 2mm/0.8 inch distance is for the thickness of painting.

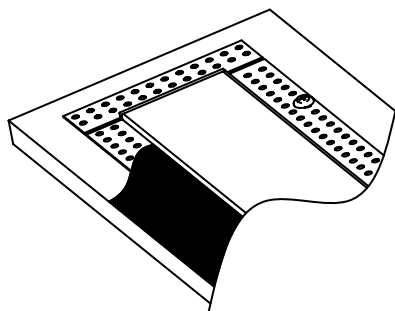
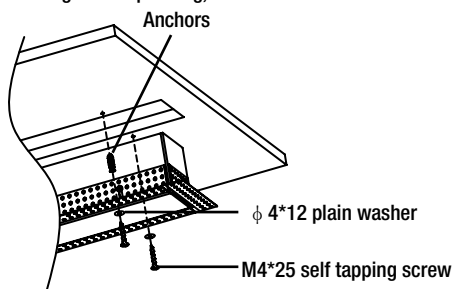


M4x8 self-drilling screws
4ft: 12 pcs

(C) Use these accessories to fix the fixtures with flanges to the ceiling, screws need to be located evenly. The quantity of each accessory needed for different length of fixtures is:

2ft: 6 pcs, 3ft: 6 pcs, 4ft: 8 pcs, 5ft: 12 pcs, 6ft: 12 pcs, 8ft: 16 pcs

(D) Cover the flanges with painting, done.



Installation

T GRID BAR SURFACE MOUNTING (Use mounting accessories EE)

■ Needed accessories:



Tool to open lens

■ T grid bar surface mounted kit:



T-shape bracket A
x2



L-shape bracket B
x2



Screw for T-shape
brackets x 2 pcs



Nut for T-shape
brackets x 2 pcs

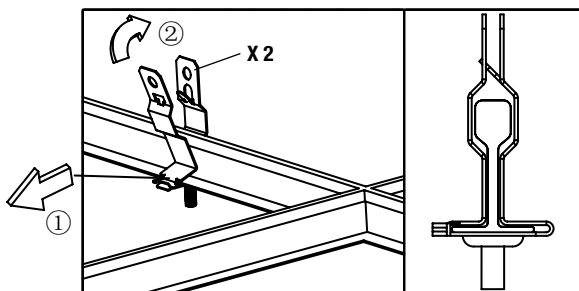
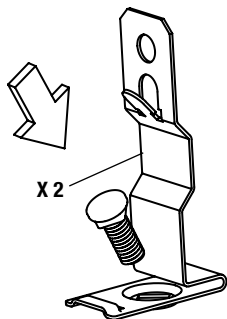


Plain washers for
T-shape brackets x 2 pc

(A) Take out the lens and reflector, for steps in details, please refer to step A-B in surface mounting.

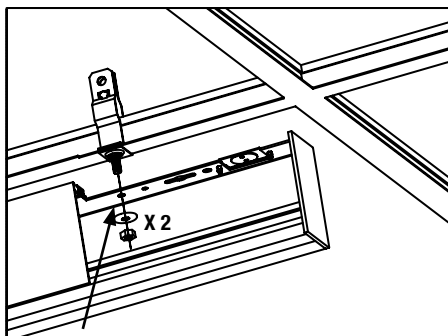
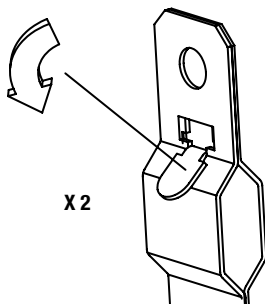
(B) Put the screws through hole in the bottom of T-shape bracket A.

(C) Tap the T-shape bracket A to the T grid bar, then tap the L-shape bracket B to bracket A.



(D) Push the snap-clip down to lock bracket A and bracket B together on the T-grid bar.

(E) Use this holes to fix the housing to the brackets with the nuts and washers.

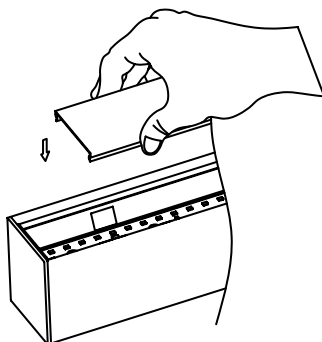
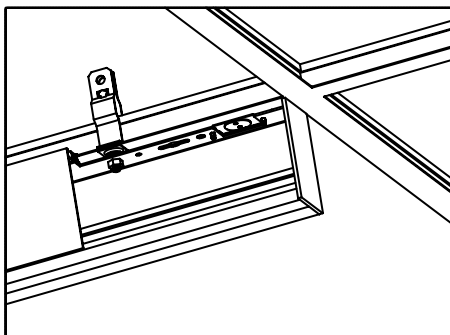


Installation

T GRID BAR SURFACE MOUNTING (Continued)

(F) After fixing.

(G) Squeeze the lens and fasten the lens back to the housing from one end to the other.



Care and Cleaning



CAUTION: Before attempting to clean the fixture, disconnect the power to the fixture by turning the breaker off or removing the fuse from the fuse box.

- Clean the fixture with a soft, dry cloth.
- Do not use cleaners with chemicals, solvents, or harsh abrasives.
- Do not use liquid cleaner on the LEDs, LED driver, or wiring inside the light fixture.

Troubleshooting



WARNING: Before doing any work on the fixture, disconnect power to the light fixture.

Minor problems often can be fixed without the help of an electrician.

Problem	Possible Cause	Solution
The fixture will not light.	The power is off.	Ensure the power supply is on.
	The circuit breaker is off.	Ensure the circuit breaker is in the on position.
	There is a bad connection.	Check to ensure proper wire connections are made. Contact a qualified electrician.
	There is a defective switch.	Contact a qualified electrician.
The fuse blows or the circuit breaker trips when the light is turned on.	The wires are crossed or the power wire is grounding out.	Check the wire connections. Contact a qualified electrician or call customer service 1-855-384-7754.



Questions, problems, missing parts?
Call ETiSSL Customer Service
8 a.m. - 5 p.m., CST, Monday - Friday

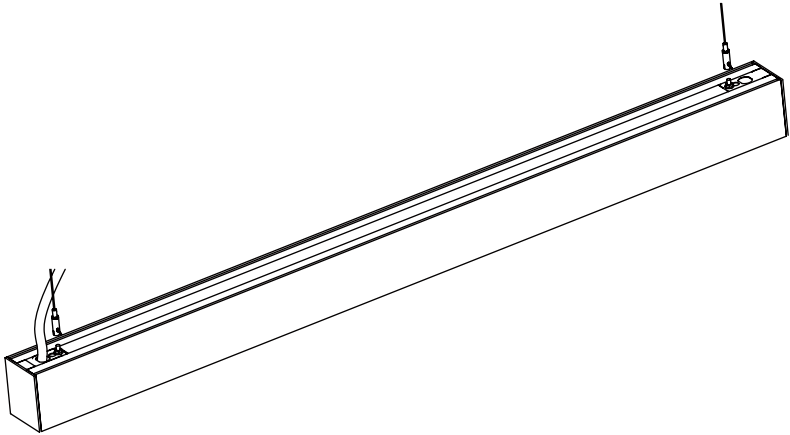
1-855-ETI-SSL (1-855-384-7754)

www.ETiSSL.com

Retain this manual for future use.

GUIDE D'UTILISATION ET D'ENTRETIEN

LUMIÈRE LINÉAIRE À DEL DE 4 PIEDS



Questions, difficultés, pièces manquantes?
Téléphonez au service à la clientèle de ETiSSL
8 h - 17 h, HNC, du lundi au vendredi.

1-855-ETI-SSL (1-855-384-7754)

www.ETiSSL.com

THANK YOU

Nous apprécions la confiance que vous avez accordé à la ETi Solid State Lighting, Inc. en achetant ce Nécessaire de modification à DEL. Consultez notre gamme complète de produits. Nous vous remercions d'avoir choisi ETi!

Garantie

Ce produit est garanti contre les vices de matière et de fabrication pour une période de 5 ans à compter de la date d'achat originale. Si le produit ne fonctionne pas à cause d'un vice de matière ou de fabrication dans les 60 mois suivant son achat, consultez www.ETISSL.com pour de plus amples renseignements. Le produit sera réparé ou remplacé, à la discrétion d'ETI. Cette garantie est expressément limitée à la réparation, ou au remplacement du produit et toute responsabilité quant aux dommages directs, indirects ou fortuits est expressément exclue. Certaines provinces ne permettent pas l'exclusion des dommages directs, indirects ou fortuits et la restriction ci-haut peut ne pas s'appliquer dans votre cas. Cette garantie accorde au consommateur des droits particuliers qui peuvent varier d'une province à l'autre. LA GARANTIE EST NULLE ET SANS EFFET SI LE PRODUIT EST UTILISÉ À DES FINS AUTRES QUE CELLES PRÉVUES POUR LE PRODUIT.

Avant l'installation

PLANIFICATION DE L'INSTALLATION

Avant de commencer à assembler ou à installer l'article, assurez-vous d'avoir toutes les pièces. Comparez le contenu de l'emballage avec la nomenclature. S'il y a des pièces manquantes ou endommagées, ne tentez pas d'assembler, d'installer, ni d'utiliser l'article. Communiquez avec le service à la clientèle pour obtenir des pièces de rechange.



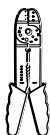
NOTE: Gardez votre facture ainsi que ces instructions comme preuves d'achat.

Si vous n'êtes pas familier avec les installations électriques, nous vous recommandons de faire faire l'installation par un électricien qualifié.



NOTE: Deux personnes sont recommandées pour l'installation de ce luminaire.

OUTILS/QUINCAILLERIE REQUIS



Pince à dénuder



Lunettes de sécurité



Escabeau



Gants



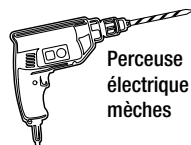
Tournevis à tête plate



Tournevis à pointe cruciforme



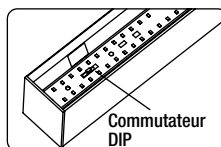
Pincés Coupantes



Perceuse électrique et mèches

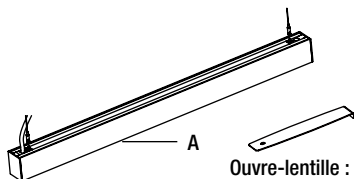
CONTENU DE L'EMBALLAGE

Pièce	Description	Quantité
A	Lumière linéaire menée par 4FT	1



Commutateur DIP

Commutateur DIP pour CCT
(Le réglage d'usine par défaut est à 4000K)



Ouvre-lentille : 1 pc

Kits montés en surface : x 1 ensemble
(Accessoires standard avec fixation)



φ 4*12 rondelles plates x 2



Vis autotaraudeuse M4*25 x 2



Ancres x 2

Accessoires de montage disponibles à l'achat

Les kits de quincaillerie sont vendus en tant qu'accessoires séparés.

Visitez www.ETISSL.com pour plus d'informations et pour acheter.



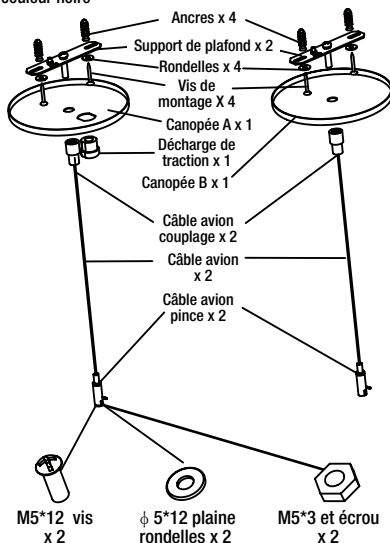
NOTE: Matériel non montré à la taille réelle.

Pièce	Description	Quantité
AA	Kit de montage de suspension 8 pieds	1
BB	Menuisier à course droite 4FT à 4FT	1
CC	Kit de bride encastrée de 4 pieds	1
DD	Kit de montage encastrés pour cloisons sèches/mud-in	1
EE	Kit de montage en surface de barre de grille en T	1
FF	Kit de cordon d'alimentation à 5 fils de 8 pieds	1

Kit de montage de suspension 8 pieds (AA)

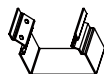
Modèle # 70322101/ pièce # LLF-8FTAC-CC-WHT pour la couleur blanche

Modèle # 70322102/ pièce # LLF-8FTAC-CC-BLK pour la couleur noire



Menuisier à course droite 4FT à 4FT (BB)

Modèle # 70326101/ Pièce # LLF-SCL-2.75IN



Support de connexion en U x 1



M4x8 vis auto-perceuses x 2



M4*12 vis x 1

Kit de bride encastrée de 4 pieds (CC)

Modèle # 70324101/ pièce # LLF-RF-4FT-WHT pour la couleur blanche

Modèle # 70324102/ pièce # LLF-RF-4FT-BLK pour la couleur noire



M4x8 vis auto-perceuses 4ft: x 10;



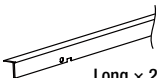
M4x50 vis x 2



Court x 2



Agrafe x 2



Long x 2



un ressort x 2

Kit de montage encastrés pour cloisons sèches/mud-in (DD)

Modèle # 70325101/ Pièce # LLF-RMI-4FT



Ancres x 8



phi 4*12 rondelles plates x 8



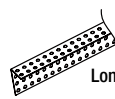
M4*25 vis autotaraudeuse 4ft: x8;



M4x8 Vis auto-perceuses 4ft: x12;



Court x 2



Long x 2

Kit de montage en surface de barre de grille en T (EE)

Modèle # 70327101/ Pièce # LLF-TC-4FT



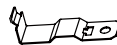
Support en forme de T A x 2



Vis pour supports en T x 2



Écrou pour forme en T supports x 2



Support en forme de L B x 2



Rondelles plates pour Supports en forme de T x 2

Kit de cordon d'alimentation à 5 fils de 8 pieds (FF)

Modèle # 70323101/ Pièce # LLF-8FT5W-PW-BLK for Black Color

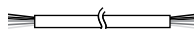
Modèle # 70323102/ Pièce # LLF-8FT5W-PW-WHT for White Color



Écrous de fil x 3

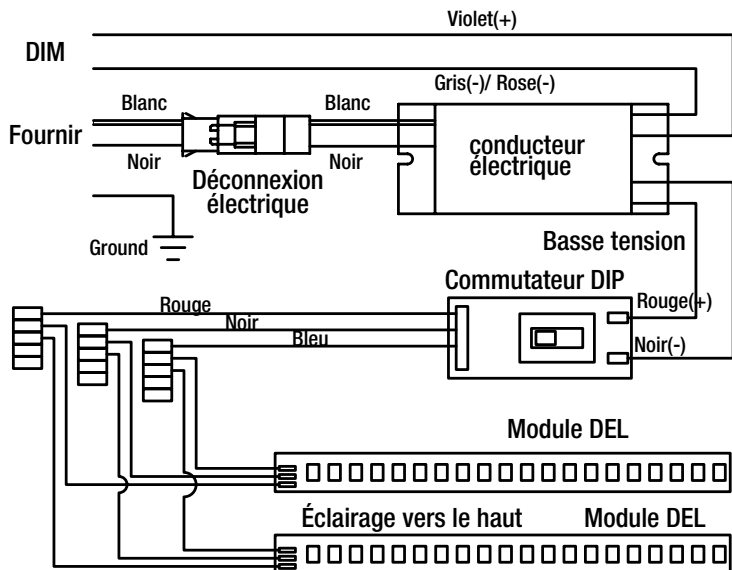


Décharge de traction pour câble d'alimentation à 5 fils x 1



Cordon d'alimentation à 5 fils de 8 pieds x 1

Schéma de câblage



ALERTE DE SÉCURITÉ:

Pour éviter les chocs électriques:

Assurez-vous que l'alimentation électrique est coupée avant et pendant l'installation et l'entretien.

Le luminaire doit être alimenté par un système de câblage avec un conducteur de mise à la terre de l'équipement.

Pour éviter de se brûler les mains:

Assurez-vous que l'objectif et le boîtier sont froids lors de l'entretien.

Pour éviter la dégradation du produit : assurez-vous que la tension d'alimentation du fil est la même que celle de l'alimentation du luminaire

Utilisez le câblage d'alimentation approprié tel que spécifié sur la plaque signalétique du luminaire.

Éviter l'utilisation dans des environnements contenant du soufre, du chlore ou d'autres halogénures, de l'acétate de méthyle ou de l'acétate d'éthyle, des cyanoacrylates, des éthers de glycol, du formaldéhyde ou du butadiène.

Notes:

Les instructions ne couvrent pas tous les détails et toutes les configurations possibles du produit. Ne restreignez pas la ventilation du luminaire. Assurez-vous que le luminaire à DEL n'est pas recouvert d'un matériau qui empêchera la convection ou le refroidissement par conduction.

Assurez-vous que le luminaire LED a la bonne polarité avant l'installation Évitez d'exposer le câblage aux bords métalliques et aux objets pointus.

Entretien:

Effectuez régulièrement des inspections visuelles, électriques et mécaniques. L'environnement et la fréquence d'utilisation doivent déterminer cela. Cependant, il est recommandé d'effectuer des vérifications au moins une fois par an. Vérifiez électriquement que toutes les connexions sont propres et bien serrées. Vérifier mécaniquement que toutes les pièces sont correctement assemblées.

Lire attentivement le manuel d'instructions pour assurer une installation correcte.

Veuillez conserver ce manuel d'instructions pour une utilisation future !



ATTENTION: Pour éviter tout risque d'incendie ou de choc électrique, ce produit doit être installé, inspecté et entretenu uniquement par un électricien qualifié. L'installation doit être entièrement réalisée par une personne familiarisée avec la construction et le fonctionnement du luminaire. L'installation du luminaire doit être conforme avec les codes nationaux et locaux du bâtiment et de l'électricité.

Installation

MONTAGE EN SURFACE (Utilisez des accessoires standard avec le luminaire)



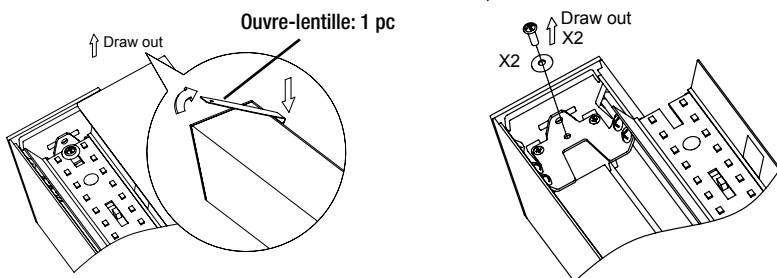
Ouvre-lentille: 1 pc



Kits montés en surface : x 1 ensemble
Y compris: vis autotaraudeuse M4 * 25 x 2 pc
 ϕ 4*12 rondelles plates x 2 pc
Ancres x 2

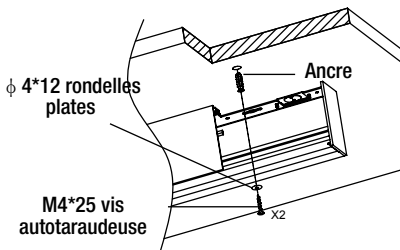
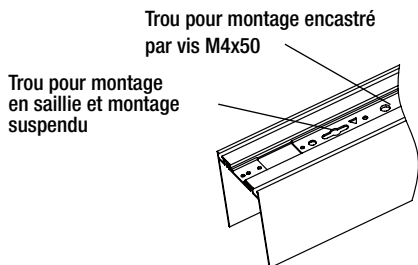
(A) Insérez l'ouvre-objectif dans la partie centrale de l'objectif et soulevez lentement l'objectif.

(B) Retirez les vis et les rondelles aux deux extrémités du luminaire, sortez le réflecteur.



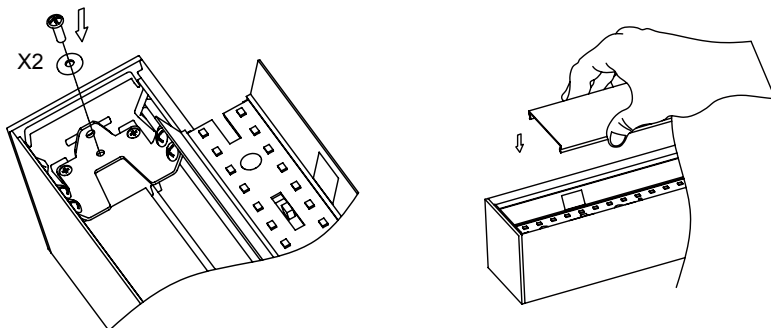
(C) Find out the hole for surface mounting.

(D) Utilisez les vis/rondelles/ancres pour fixer le luminaire au plafond.



(E) Remettez le réflecteur en place et fixez-le avec les vis et les rondelles aux deux extrémités.

(F) Pressez l'objectif et l'objectif au boîtier d'un bout à l'autre.



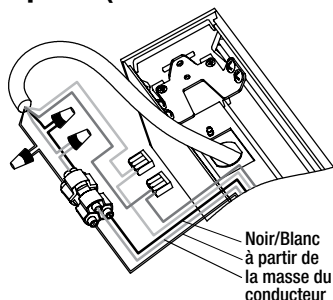
Installation

Connexion du cordon d'alimentation à 5 fils de 8 pieds (utilisez les accessoires de montage FF)

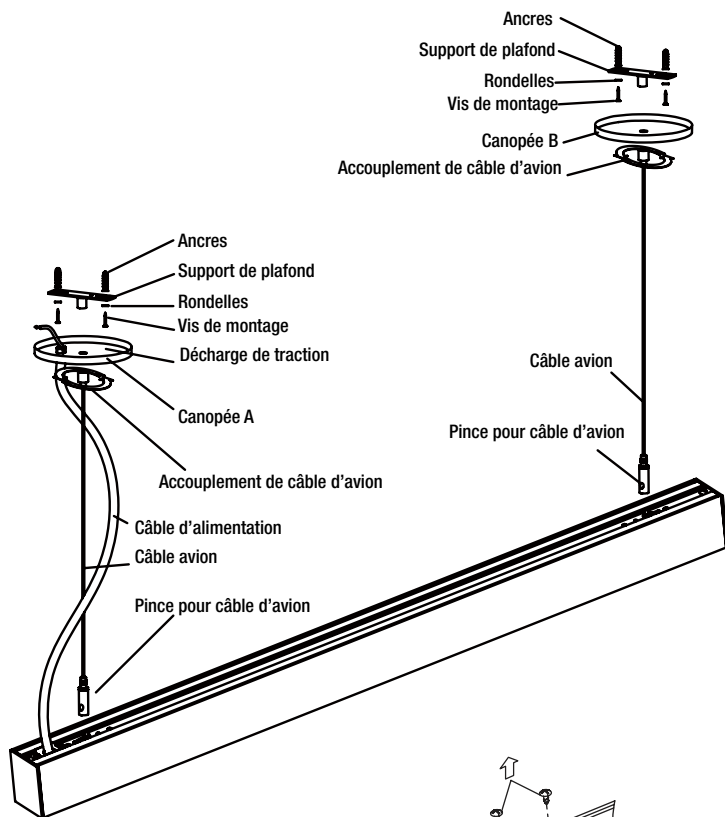
UN). Ouvrez la lentille en vous référant aux étapes A et B de l'installation MONTÉE EN SURFACE.

B). Utilisez 3 écrous de fil (emballés avec un cordon d'alimentation à 5 fils) pour connecter le fil de terre blanc, noir du luminaire et le fil de terre blanc, noir du cordon d'alimentation à 5 fils ;

C). Insérez les fils de gradation (fil rose, fil violet) du cordon à 5 fils dans les connecteurs qui sont connectés au fil de gradation (fil rose, fil violet) du pilote du luminaire, assurez-vous que le fil rose est connecté au fil rose, et le fil violet est connecté au fil violet.

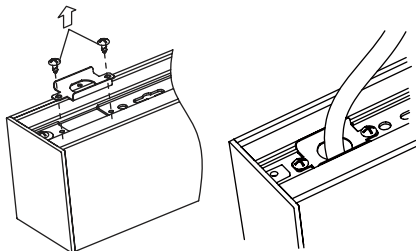


MONTAGE SUSPENDU (Utiliser les accessoires de montage AA)



(A) Traversez le trou défonçable, puis retirez la plaque d'accès, sortez le câble à 5 fils du boîtier à travers le trou rectangulaire après avoir retiré la plaque d'accès.

(B) Faites passer le câble d'alimentation 5 à travers le trou défonçable sur la plaque d'accès, et fixez la plaque d'accès sur le luminaire avec des vis.

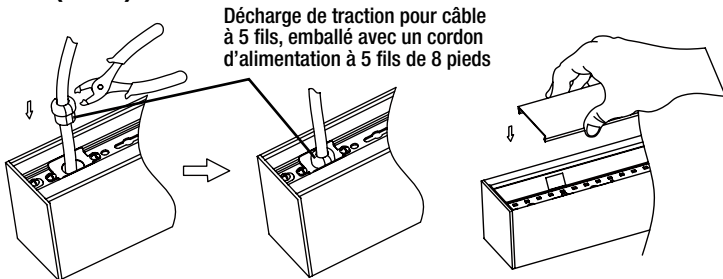


Installation

SUPPORT SUSPENDU (suite)

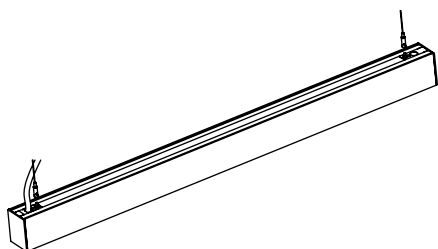
(C) Fixez le serre-câble avec une pince.

(D) Pressez l'objectif et fixez l'objectif au boîtier d'un bout à l'autre



Décharge de traction pour câble à 5 fils, emballé avec un cordon d'alimentation à 5 fils de 8 pieds

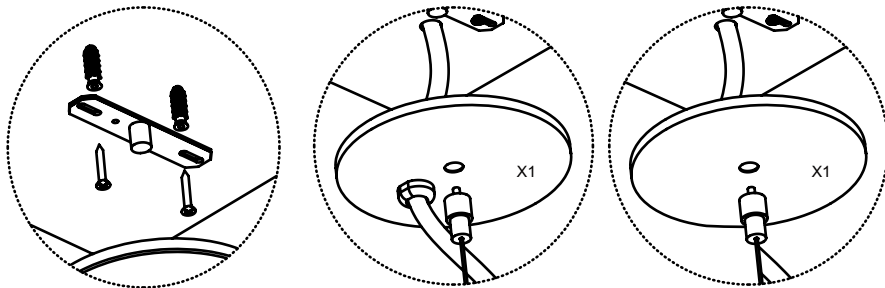
(E) Localisez les trous pour le montage suspendu au plafond.



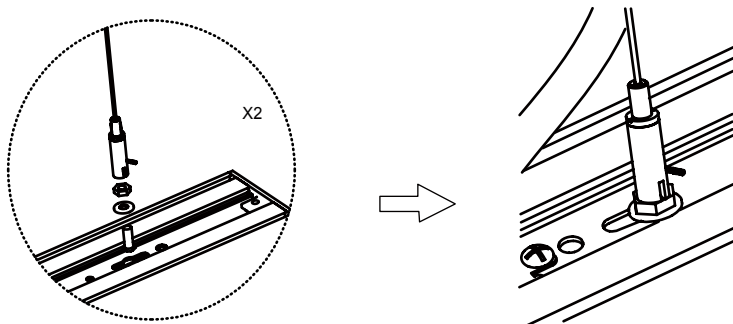
	2ft	3ft	4ft	5ft	6ft	8ft
L	24.06" 611mm	35.75" 909mm	47.48" 1206mm	59.29" 1506mm	71.10" 1806mm	94.53" 2401mm
L1	17.13" 435mm	28.82" 732mm	40.55" 1030mm	52.36" 1330mm	64.17" 1630mm	87.60" 2225mm

(F) Fixez 2 pièces de support de plafond au plafond avec des vis, une rondelle et des ancres.

(G) Passez le câble à 5 fils à travers le trou de la verrière A avec le détachant, connectez le câble à 5 fils au CA, au câblage de gradation et à la terre. Fixez 2 pcs d'auvents au support de plafond avec les accouplements.



(H) Desserrez la vis/la rondelle/l'écrou de la pince, placez la tête de vis dans le trou de serrure et poussez-la jusqu'au bout, puis serrez la vis et la rondelle avec l'écrou, fixez la pince à la vis.



Installation

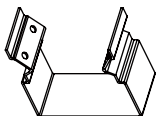
CONNEXION (Utiliser les accessoires de montage BB)

■ Accessoires nécessaires:



Outil pour ouvrir l'objectif

■ Kits de connexion



Support de connexion en U



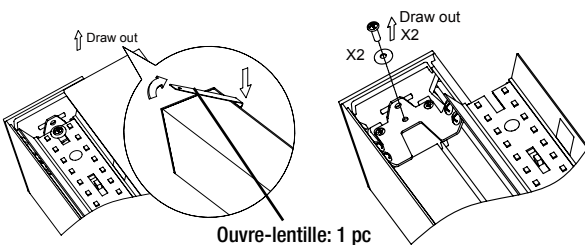
M4x8 Auto-forage
des vis x2



M4*12 vis x1

(A) Insérez l'ouvre-objectif dans la partie centrale de l'objectif et soulevez lentement l'objectif.

(B) Retirez les vis et les rondelles aux deux extrémités du luminaire, sortez le réflecteur.

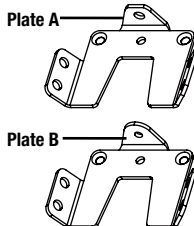
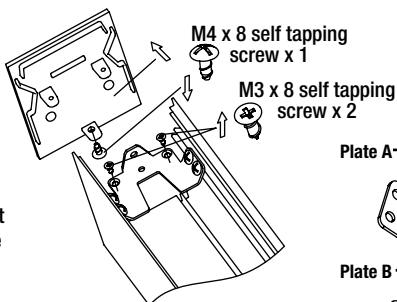


Ouvre-lentille: 1 pc

(C) Desserrez les vis des embouts des luminaires qui doivent être connectés, retirez les embouts.



NOTE: Ces 2 plaques sont nécessaires pour la connexion, les plaques A et B sont différentes, la plaque A est avec un dessus plat et un trou non fileté, la plaque B est avec un dessus incurvé et un trou fileté. Les autocollants A et B sont apposés à l'arrière de chaque luminaire pour indiquer le sens de connexion.

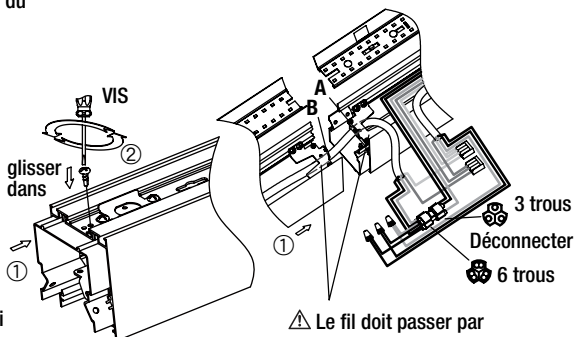


(D) Faites glisser le support de connexion en forme de U dans les espaces entre la plaque A et le boîtier, fixez le support de connexion en forme de U avec la vis auto-perçante M4x8 à travers le deuxième trou à l'arrière.

(E) Connectez le cordon d'alimentation à 5 fils de 8 pieds en vous référant aux étapes de connexion du cordon d'alimentation à 5 fils de 8 pieds.

E-1 Passez le cordon à 5 fils connecté du luminaire à l'autre luminaire à travers le bas des pièces de fixation du couvercle d'extrémité plaque A et plaque B. Il reste 3 trous sur le côté à 6 trous du sectionneur de l'autre luminaire, insérez le fil sous tension, le fil neutre, le fil de terre dans ces 3 trous selon la même couleur des trous de déconnexion.

E-2 Insérez les fils de gradation (fil rose, fil violet) du câble à 5 fils dans les connecteurs qui sont connectés au fil de gradation (fil rose, fil violet) du pilote de l'autre luminaire, assurez-vous que le fil rose est connecté avec le fil rose et le fil violet sont connectés au fil violet.



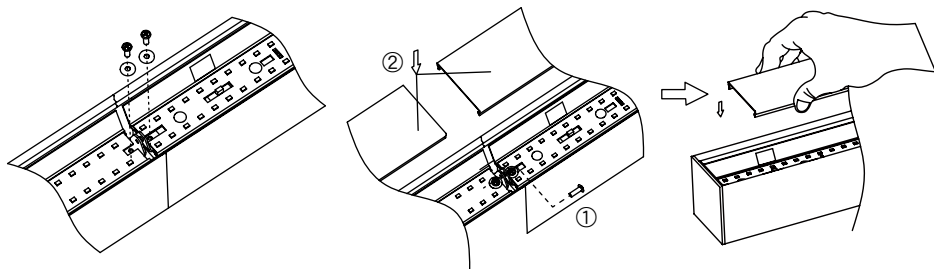
⚠ Le fil doit passer par le bas de la plaque A et de la plaque B

LE RACCORDEMENT (suite)

(F) Remettez la vis M4 * 12 x 1 et les rondelles en plastique x2 aux deux extrémités pour fixer le réflecteur.

(G) Assemblez les luminaires et placez la vis M4 * 12 du trou non fileté sur la plaque A au trou fileté sur plaque B pour raccordement.

(H) Pressez la lentille et fixez la lentille au boîtier d'une extrémité à l'autre de chaque luminaire.

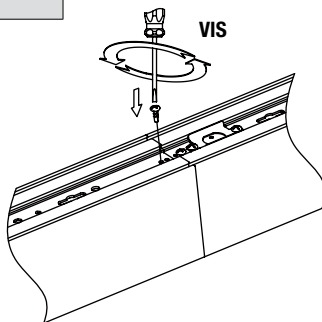
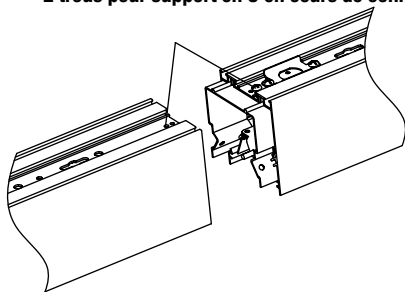


(I) Assurez-vous que les luminaires sont connectés de manière transparente, puis placez les vis autoperceuses M4x8 à travers le deuxième trou à l'arrière du luminaire et fixez-le.

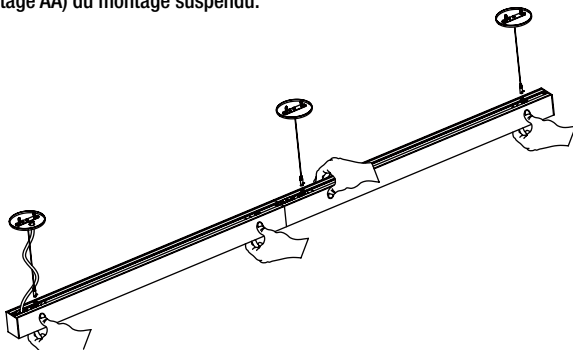


NOTE: Assurez-vous que la puissance totale de tous les luminaires connectés est inférieure à 600 watts.

2 trous pour support en U en cours de connexion



(J) Terminé, pour le montage suspendu, veuillez vous référer aux étapes montage suspendu (Utilisez les accessoires de montage AA) du montage suspendu.

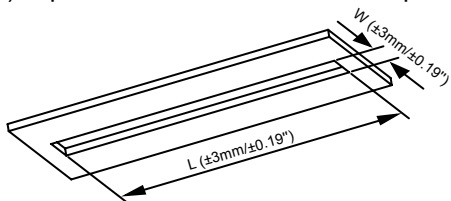


Installation

MONTAGE ENCASTRÉ AVEC BRIDE EN ALUMINIUM (Utiliser les accessoires de montage CC)

(A) Sortez la lentille et le réflecteur, pour les étapes détaillées, veuillez vous référer à l'étape A-B du montage en surface.

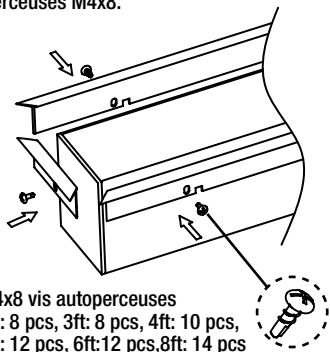
(B) Couper le trou selon la bonne taille ci-dessous pour un montage encastré.



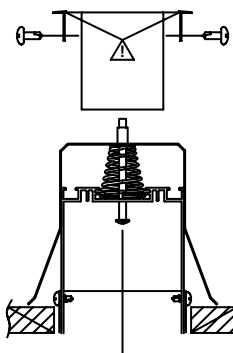
Opening size

	2ft	3ft	4ft	5ft	6ft8	ft
L	24.57" 624mm	36.26" 921mm	48" 1219mm	59.80" 1519mm	71.69" 1821mm	95.04" 2414mm
W	3.27" 83mm					

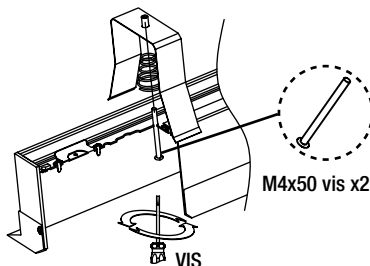
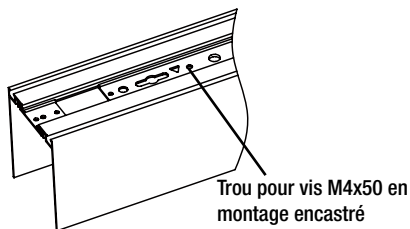
(C) Fixez 2 pièces de brides longues et 2 pièces de brides courtes au boîtier à travers les trous sur les brides avec des vis autoperçuses M4x8.



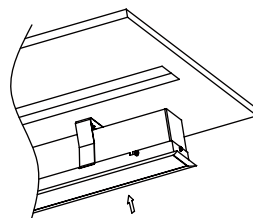
M4x8 vis autoperçuses
2ft: 8 pcs, 3ft: 8 pcs, 4ft: 10 pcs,
5ft: 12 pcs, 6ft: 12 pcs, 8ft: 14 pcs



(D) Bloquer la vis M4x50 à travers le trou indiqué sur le côté droit, la vis traversera le ressort dans le rivet sur le clip, répétez la même chose pas de l'autre côté.



(E) Insérez le luminaire avec tous les kits encastrés dans le trou découpé à l'étape B, ajustez la vis M4x50 pour que les brides soient proches du plafond.

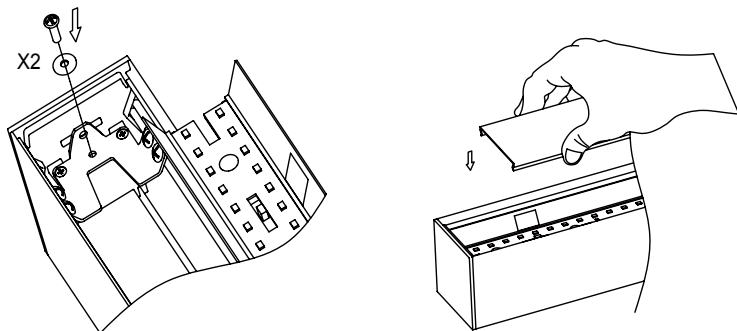


Installation

MONTAGE ENCASTRÉ AVEC BRIDE EN ALUMINIUM (Suite)

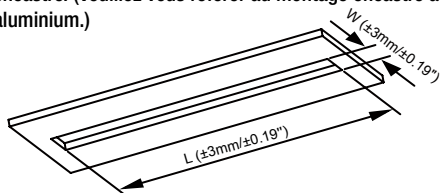
(F) Remettez le réflecteur en place et fixez-le avec les vis et les rondelles aux deux extrémités.

(G) Pressez l'objectif et fixez l'objectif au boîtier d'un bout à l'autre.



MONTAGE ENCASTRÉ SUR CLOISONS SÈCHES/MUD-IN (Utilisez les accessoires de montage DD)

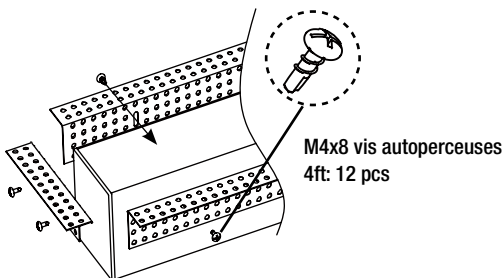
(A) Coupez le trou selon la bonne taille ci-dessus pour un montage encastré. (Veuillez vous référer au montage encastré à bride en aluminium.)



Opening size

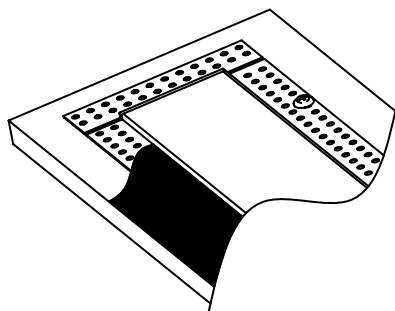
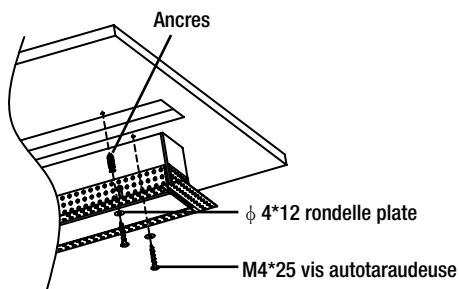
	2ft	3ft	4ft	5ft	6ft	8ft
L	24.57" 624mm	36.26" 921mm	48" 1219mm	59.80" 1519mm	71.69" 1821mm	95.04" 2414mm
W				3.27" 83mm		

(B) Utilisez ces trous spéciaux pour fixer tous les trous perforés brides (2 brides longues et 2 brides courtes) au boîtier avec l'auto-perceur M4x8 vis, les brides doivent être de 2 mm/0,8 pouce plus bas que la surface de la lentille, cette distance de 2 mm/0,8 pouce est pour l'épaisseur de la peinture.



(C) Utilisez ces accessoires pour fixer les luminaires avec des brides au plafond, les vis doivent être situées uniformément. La quantité de chaque accessoire nécessaire pour différentes longueurs de luminaires est: 2ft: 6 pcs, 3ft: 6 pcs, 4ft: 8 pcs, 5ft: 12 pcs, 6ft: 12 pcs, 8ft: 16 pcs

(D) Couvrir les brides avec de la peinture, c'est fait.



Installation

MONTAGE EN SURFACE DE LA BARRE DE GRILLE T (Utiliser les accessoires de montage EE)

■ Accessoires nécessaires:



Outil pour ouvrir l'objectif

■ Kit de montage en saillie de barre de grille en T:



Support en forme de T A x2



Support en forme de L B x2



Vis pour supports en T x2 pcs



Écrou pour forme en T supports x2 pcs

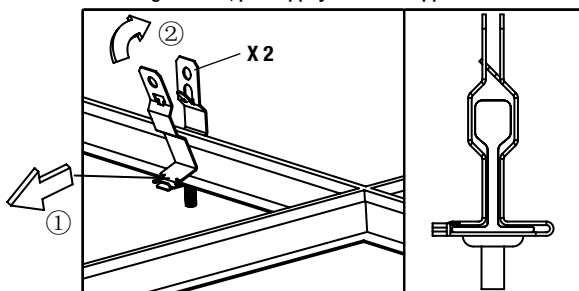
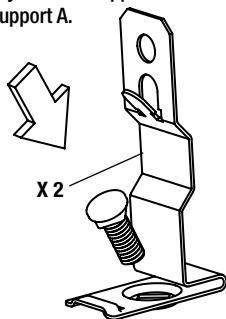


Rondelles plates pour Supports en forme de T x2 pc

(A) Sortez la lentille et le réflecteur, pour les étapes détaillées, veuillez vous référer à l'étape A-B du montage en surface.

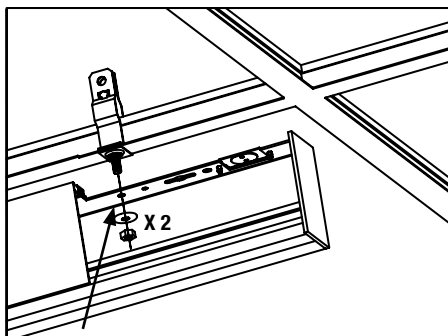
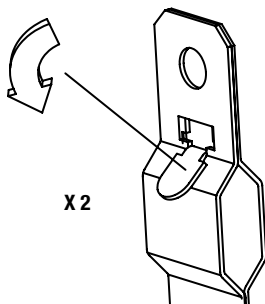
(B) Insérez les vis dans le trou au bas du support en forme de T A.

(C) Appuyez sur le support en forme de T A sur la barre de grille en T, puis appuyez sur le support en forme de L B sur le support A.



(D) Poussez le clip vers le bas pour verrouiller le support A et le support B ensemble sur la barre de grille en T.

(E) Utilisez ces trous pour fixer le boîtier aux supports avec les noix et les rondelles.

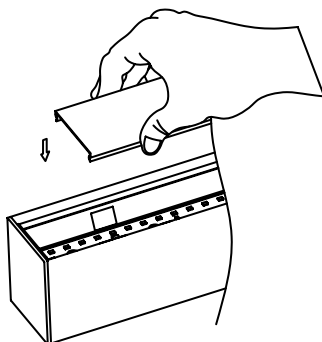
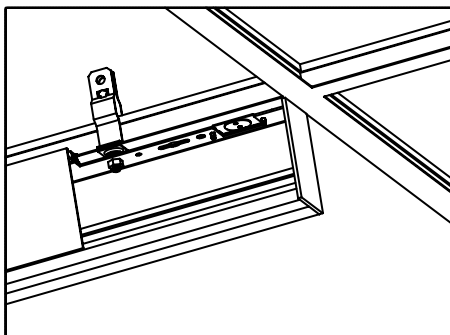


Installation

MONTAGE EN SURFACE DE LA BARRE DE GRILLE EN T (suite)

(F) Après fixation.

(G) Pressez la lentille et fixez la lentille au boîtier d'un bout à l'autre.



Entretien et nettoyage



CAUTION: Avant d'essayer de nettoyer le luminaire, débranchez l'alimentation du luminaire en éteignant le disjoncteur ou en retirant le fusible de la boîte à fusibles.

- Nettoyez l'appareil avec un chiffon doux et sec.
- N'utilisez pas de nettoyeurs contenant des produits chimiques, des solvants ou des abrasifs agressifs.
- N'utilisez pas de nettoyeur liquide sur les LED, le pilote de LED ou le câblage à l'intérieur du luminaire.

Dépannage



AVERTISSEMENT: Avant d'effectuer tout travail sur le luminaire, débranchez l'alimentation du luminaire.

Les problèmes mineurs peuvent souvent être résolus sans l'aide d'un électricien.

Problème	Cause Possible	Mesure Corrective
Le luminaire ne s'allume pas.	Le luminaire est hors tension.	Vérifiez l'alimentation électrique.
	Le disjoncteur est en position d'arrêt.	Assurez-vous que le disjoncteur est à la position « ON ».
	Les fils sont mal branchés.	Assurez-vous que les fils sont bien branchés. Faites appel à un électricien qualifié.
	Un interrupteur est défectueux.	Faites appel à un électricien qualifié.
Le fusible saute ou le disjoncteur se déclenche lorsque le luminaire est mis sous tension.	Les fils sont croisés ou un fil d'alimentation est mis à la terre.	Assurez-vous que les fils sont bien branchés. Faites appel à un électricien qualifié ou téléphonez au service à la clientèle de ETi 1-855-384-7754.



Questions, difficultés, pièces manquantes?
Téléphonez au service à la clientèle de ETI SSL
8 h - 17 h, HNC, du lundi au vendredi.

1-855-ETI-SSLI (1-855-384-7754)

www.ETISSL.com

Conservez ce manuel pour référence ultérieure.