

DATE:	PROJECT:
TYPE:	NOTES:
CATALOG #:	

CCDL | CAPELLA COMMERCIAL DOWNLIGHTS

4 CCT COLOR PREFERENCE® | 3 LUMEN BOOST®

KEY FEATURES

- Luminaire uses ETI Lighting's patented Color Preference with 4 Selectable CCTs (3000K, 3500K, 4000K, 5000K)
- 3 Lumen Boost and Wattage Levels:

4" : 600 800 1000 lm	6" : 1100 1500 2000 lm
7 9 12W	14 18 24W
8" : 2400 2800 3300 lm	10" : 3000 3500 4000 lm
25 29 35W	32 37 43W
- 90+ CRI
- IC Rated for maximum thermal management
- 120-277V, 0-10V Dimming
- Wet location

SPECIFICATIONS

Construction

- Cast aluminum flange and heat sink and polycarbonate lens
- Matte white finish
- Suitable for IC or Non-IC applications
- Plenum Rated
- Optional non-conductive clip-on trim accessories: Black and Satin Nickel

Optics

- High impact, polymer diffuser lens for zero pixelation and overall visual comfort
- Uniform, even light distribution

Installation

- Two low-profile spring retention clips for a secure fit—no need for a separate recessed housing or junction box
- Easy to install and service from below the mounting/ceiling surface
- Field select one of four CCTs at installation with an integral switch accessible on back. Factory set to 3000K
- Field select one of three Wattage settings at installation with an integral switch accessible on back. Factory set to the lowest wattage

Electrical

- > 100,000 hour LEDs at L70 for reduced maintenance
- Operates at 120-277V, 50/60Hz
- 0-10V Dimming
- Operating Temperature: -4°F to 104°F (-20°C to 40°C)
- ETI's patented 4 CCT COLOR PREFERENCE® allows for easy field-adjustable color temperature selection with switch located on back
- 3-LEVEL LUMEN BOOST® allows for easy field-adjustable power selection with switch located on back

Warranty

5-Year Standard Warranty. See terms at: ETISSL.com/warranty/

KEY DATA	
LUMEN RANGE	654 – 4388
WATTAGE RANGE	6.7– 41.5
EFFICACY RANGE (LPW)	104-109 (BASED ON 3500K)
REPORTED LIFE (HOURS)	L70 / > 100,000



Black & Satin Nickel
Clip-On Trim
Accessories Available



Goof Ring
Accessories Available



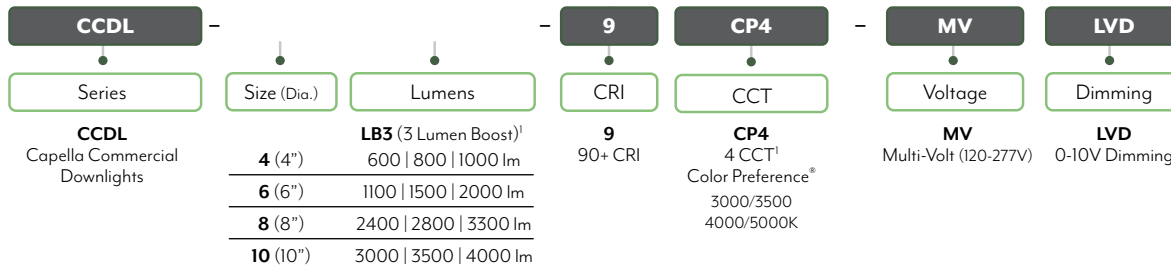
Certifications & Test Data

- ETL Listed
- Wet location
- Adheres to LM63, LM79, LM80 and TM21 industry standards for photometric, lumen maintenance and lifetime calculations
- ENERGY STAR® rated (See Page 3 for search info.)
- Product can be used to comply with California Title 24 Efficiency Standards
- IC Rated for direct contact with insulation
- Suitable for use in closets when installed in accordance to NEC Section 410.16 (A)(1) and 410.16 (C)(1)



CCDL | CAPELLA COMMERCIAL DOWNLIGHTS

CATALOG LOGIC



Notes:









1. Ships at 3000K and at lowest power setting. Installing contractor responsible for ensuring desired CCT and power settings are selected during installation.

STOCK ORDERING INFORMATION

	CATALOG PART NUMBER	ORDER NUMBER	DESCRIPTION (DIA)	CASE QTY	CRI	CCT (CP5)	WATTS (NOM.)	LUMEN PKG. ¹	DELIVERED LUMENS	LPW	VOLTAGE	DIM	ENERGY STAR ²
4"	CCDL-4-LB3-9CP4-MV-LVD	63314101	4" Capella Commercial Downlight	4	90+	3000K	12	1000	1063	95	120-277V	0-10V	YES
							9	800	871	97			
							7	600	654	95			
						3500K	12	1000	1110	101			
							9	800	901	101			
							7	600	671	99			
						4000K	12	1000	1115	102			
							9	800	903	103			
							7	600	672	100			
						5000K	12	1000	1078	97			
							9	800	881	98			
							7	600	660	97			
6"	CCDL-6-LB3-9CP4-MV-LVD	63315101	6" Capella Commercial Downlight	4	90+	3000K	24	2000	2078	89	120-277V	0-10V	YES
							18	1500	1628	94			
							14	1100	1206	97			
						3500K	24	2000	2172	94			
							18	1500	1685	98			
							14	1100	1237	100			
						4000K	24	2000	2184	95			
							18	1500	1693	99			
							14	1100	1242	101			
						5000K	24	2000	2099	91			
							18	1500	1648	96			
							14	1100	1223	99			
8"	CCDL-8-LB3-9CP4-MV-LVD	63316101	8" Capella Commercial Downlight	4	90+	3000K	35	3300	3398	98	120-277V	0-10V	YES
							29	2800	2900	100			
							25	2400	2479	99			
						3500K	35	3300	3616	105			
							29	2800	3074	107			
							25	2400	2595	105			
						4000K	35	3300	3650	107			
							29	2800	3107	109			
							25	2400	2617	106			
						5000K	35	3300	3502	102			
							29	2800	3014	105			
							25	2400	2560	104			
10"	CCDL-10-LB3-9CP4-MV-LVD	63317101	10" Capella Commercial Downlight	4	90+	3000K	43	4000	4074	98	120-277V	0-10V	YES
							37	3500	3554	101			
							32	3000	3071	104			
						3500K	43	4000	4334	106			
							37	3500	3754	107			
							32	3000	3222	109			
						4000K	43	4000	4388	107			
							37	3500	3796	109			
							32	3000	3257	110			
						5000K	43	4000	4224	102			
							37	3500	3694	104			
							32	3000	3198	107			

Notes: 1. For more delivered lumens and test data see page 4, or visit ETISSL.com 2. ENERGY STAR[®] search catalog part number. Example: CCDL-4-LB3-9CP4-MV-LVD

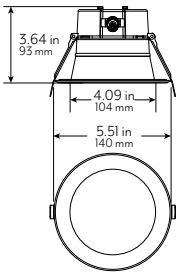
AVAILABLE STOCK ACCESSORIES (must be ordered separately, field installed)

Catalog Part Number	Order Number	Description	Details
CCDL-4-TRIM-BL	70545101	CCDL 4" Clip-On Black Trim	
CCDL-4-TRIM-SN	70547101	CCDL 4" Clip-On Satin Nickel Trim	
CCDL-6-TRIM-BL	70548101	CCDL 6" Clip-On Black Trim	
CCDL-6-TRIM-SN	70550101	CCDL 6" Clip-On Satin Nickel Trim	
CCDL-8-TRIM-BL	70551101	CCDL 8" Clip-On Black Trim	
CCDL-8-TRIM-SN	70553101	CCDL 8" Clip-On Satin Nickel Trim	
CCDL-10-TRIM-BL	70554101	CCDL 10" Clip-On Black Trim	
CCDL-10-TRIM-SN	70556101	CCDL 10" Clip-On Satin Nickel Trim	
DL-46GR	70557101	4" – 6" Goof Ring	
DL-68GR	70558101	6" – 8" Goof Ring	
DL-810GR	70559101	8 – 10" Goof Ring	
DLGP-U	70566101	3"/4"/6"/8" Universal Guide-In Plate	
DLGPB-U	70565101	3"/4"/6"/8" Universal Guide-In Plate with Bar Hangers	
EMA25FY-I70	70112202-2	Square Emergency LED Driver BBU 25W, IP rated, 90 min	 <p>BBUs certified in CA Title 20 MAEDBS Search: EMA25FY-I70 INFORMATION</p>

DIMENSIONS / DETAILS


CCDL

4IN



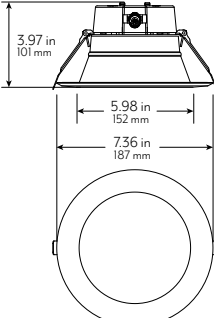
Unit Weight
0.72 lb.

Ceiling Opening
4.33" Diameter




Ships at 3000K Ships at lowest power setting

6IN



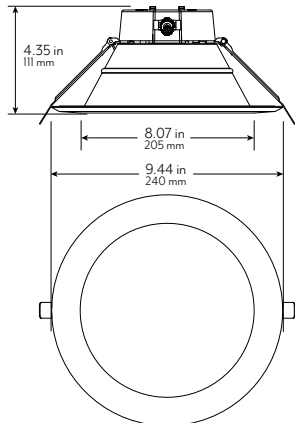
Unit Weight
0.89 lb.

Ceiling Opening
6.06" Diameter



MC Cable Length 19"
Overall Wire Length 27"

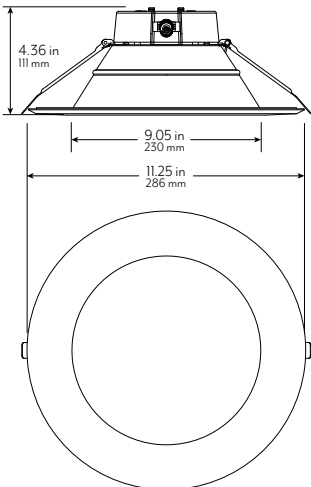
8IN



Unit Weight
1.12 lbs.

Ceiling Opening
8.07" Diameter

10IN

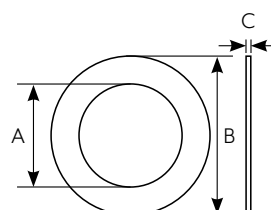


Unit Weight
1.36 lbs.

Ceiling Opening
8.98" Diameter

Goof Ring Dimensions

Part Number	Order Number	Description	(A) Inner Diameter inches (mm)	(B) Outer Diameter inches (mm)	(C) Thickness inches (mm)
DL-46GR	70557101	4" – 6" Goof Ring	4.125" (105 mm)	7.25" (184 mm)	0.25" (6.3 mm)
DL-68GR	70558101	6" – 8" Goof Ring	5.50" (140 mm)	9.50" (241 mm)	0.25" (6.3 mm)
DL-810GR	70559101	8" – 10" Goof Ring	7.125" (181 mm)	11.375" (289 mm)	0.25" (6.3 mm)



PERFORMANCE / Data

Lumen Maintenance

Ambient Temp.	TM-21 Lumen Maintenance (54,000 hours)
25° C (77° F)	> 83%
Ambient Temp.	TM-21 Theoretical L70 (hours)
25° C (77° F)	> 100,000

Load Information

Power Factor	> 0.90
THD	< 20%
Frequency	50/60 Hz
Low Temp Start / Max Temp	-20° C (-4° F) / 40° C (104° F)

PHOTOMETRIC SAMPLES

4IN



Luminaire Data: at highest wattage
CCDL-4-LB3-9CP4-MV-LVD

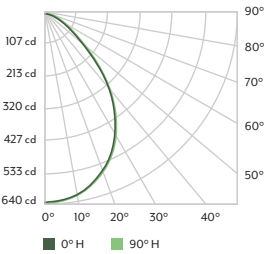
CCT & CRI	3500K, 90+ CRI
DELIVERED LUMENS	1109.7
WATTAGE	11 W
EFFICACY	101
BEAM ANGLE	50%=81° 10%=127°
SPACING	0° = 1.12 90° = 1.12

Photometric values based on tests performed in compliance with LM-63 & LM-79

Zonal Lumen Summary

Zone	Lumens	% Luminaire
0-30	464.6	41.9%
0-40	715.1	64.4%
0-60	1,011.6	91.2%
0-90	1,109.7	100.0%

Candela Plot



6IN



Luminaire Data: at highest wattage
CCDL-4-LB3-9CP4-MV-LVD

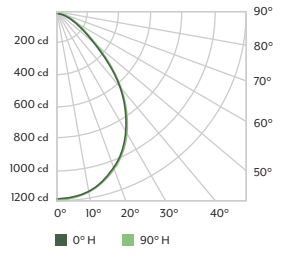
CCT & CRI	3500K, 90+ CRI
DELIVERED LUMENS	2172.1
WATTAGE	23.2 W
EFFICACY	94
BEAM ANGLE	50%=85° 10%=126°
SPACING	0° = 1.13 90° = 1.13

Photometric values based on tests performed in compliance with LM-63 & LM-79

Zonal Lumen Summary

Zone	Lumens	% Luminaire
0-30	873.7	40.2%
0-40	1,362.8	62.7%
0-60	2,003.8	92.3%
0-90	2,172.1	100.0%

Candela Plot



8IN



Luminaire Data: at highest wattage
CCDL-4-LB3-9CP4-MV-LVD

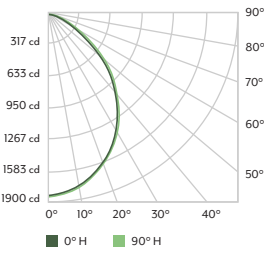
CCT & CRI	3500K, 90+ CRI
DELIVERED LUMENS	3616.5
WATTAGE	34.4 W
EFFICACY	105
BEAM ANGLE	50%=91° 10%=132°
SPACING	0° = 1.14 90° = 1.14

Photometric values based on tests performed in compliance with LM-63 & LM-79

Zonal Lumen Summary

Zone	Lumens	% Luminaire
0-30	1,338.8	37%
0-40	2,114.1	58.5%
0-60	3,312.4	91.6%
0-90	3,616.5	100.0%

Candela Plot



10IN



Luminaire Data: at highest wattage
CCDL-4-LB3-9CP4-MV-LVD

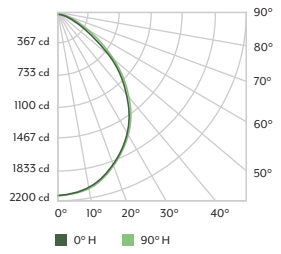
CCT & CRI	3500K, 90+ CRI
DELIVERED LUMENS	4334.1
WATTAGE	41W
EFFICACY	106
BEAM ANGLE	50%=93° 10%=133°
SPACING	0° = 1.16 90° = 1.16

Photometric values based on tests performed in compliance with LM-63 & LM-79

Zonal Lumen Summary

Zone	Lumens	% Luminaire
0-30	1,577.5	36.4%
0-40	2,504.1	57.8%
0-60	3,976.3	91.7%
0-90	4,334.1	100.0%

Candela Plot



DIMMER COMPATIBILITY LIST

DIMMER BRAND	SERIES	DIMMER MODEL
0-10V DIMMERS		
LUTRON	Divi	DVSTV-WH
COOPER	NA	DFIOPCI
LEVITON	NA	IP710

* Always consult dimmer manufacturer for proper use, installation and compatibility (some dimmers may require a neutral in the wall box).