

DATE:	PROJECT:
TYPE:	NOTES:
CATALOG #:	

FM | LOW PROFILE, ROUND CLOUD FLUSH MOUNTS

5 CCT COLOR PREFERENCE®

KEY FEATURES

ETI's Round Cloud Flush Mounts are durable, practical and brilliant. While replacing up to 100W incandescent light, these LED lights have a long life projection of over 60,000 hours.

- Luminaire uses ETI Lighting's patented Color Preference with 3 Selectable CCTs (3000K, 4000K, 5000K)
- 90+ CRI
- Durable, shatter-proof acrylic impact-resistant lens
- L70: > 14 0,000 hours

SPECIFICATIONS

Construction

- White powder-coated steel housing with non-yellowing frosted acrylic low profile diffuser that twist and locks into the housing.

Optics

- Impact-resistant frosted acrylic diffuser lens for zero pixelation and overall visual comfort
- Uniform, even light distribution

Installation

- Hard Wire:
 - Mounting hardware and quick connectors included
- 3 CCT COLOR PREFERENCE® for easy field-adjustable CCT selection with switch located on inside housing. Factory set to 3000K

Electrical

- > 140,000 hour LEDs at L70 for reduced maintenance
- Operates at 120-277V 60Hz
- 0-10V dimming
- Operating temperature: -4°F to 113°F (-20°C to 45°C)

Warranty

5-Year Standard Warranty. See terms at: ETISSL.com/warranty/



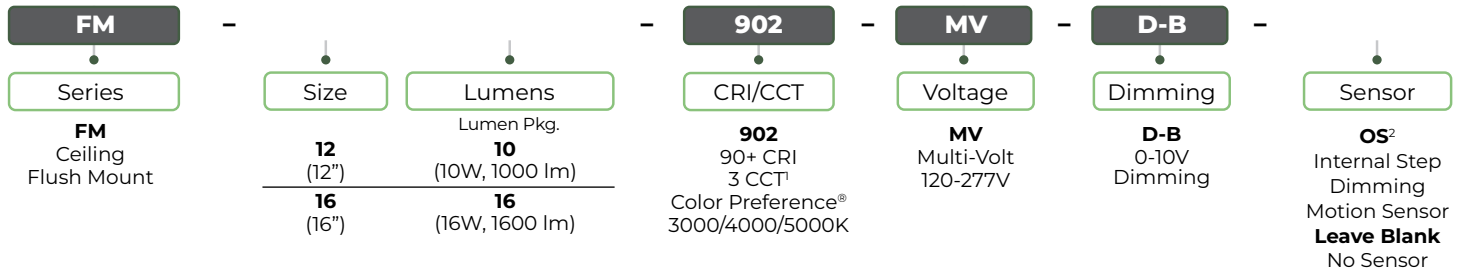
KEY DATA	
Lumens	1023 – 1601
Wattage	9.5 – 15
Efficacy (LPW)	102 – 123
Reported Life (Hours)	L70 / > 140,000

Certifications & Test Data

- All luminaires are built to UL 1598 standards and have the appropriate UL labels and information on product
- Damp location rated
- ENERGY STAR® rated (See Page 2 for search info.)
- Driver rated for FCC part 15 Class B for use in residential or commercial applications
- Suitable for use in closets when installed in accordance to NEC Section 410.16 (A)(1) and 410.16 (C)(1)



CATALOG LOGIC



Notes:


- 1. Factory set at 2700K. Installing contractor responsible for ensuring desired CCT is selected during installation.
- 2. Internal OC Sensor available for 16" model only.

STOCK ORDERING INFORMATION

Catalog Part Number	Order Number	Description (Dia)	Case QTY	CCT (3CP)	Watts (Nom.)	Lumen Pkg	Deliv. lm	LPW	CRI	Voltage	Dim	ENERGY STAR®
FM-12-10-902-MV-D-B	54436511	12" Round Cloud	4	3000K	10	1000	1023	105	90+	120-277V	0-10V	Yes
				4000K	10	1000	1119	118				
				5000K	10	1000	1196	123				
FM-16-16-902-MV-D-B	54437511	16" Round Cloud	4	3000K	16	1600	1529	102	90+	120-277V	0-10V	Yes
				4000K	16	1600	1722	117				
				5000K	16	1600	1802	120				
FM-16-16-902-MV-D-B-OS	54437511-I	16" Round Cloud with Internal Occupancy Sensor	4	3000K	16	1600	1529	102	90+	120-277V	0-10V	Yes
				4000K	16	1600	1722	117				
				5000K	16	1600	1802	120				

Notes: 1. For more delivered lumens and test data see page 3, or visit ETISSL.com 2. ENERGY STAR® search catalog part number. Example: FM-12-10-902-MV-D-B

AVAILABLE STOCK ACCESSORIES (must be ordered separately, field installed)

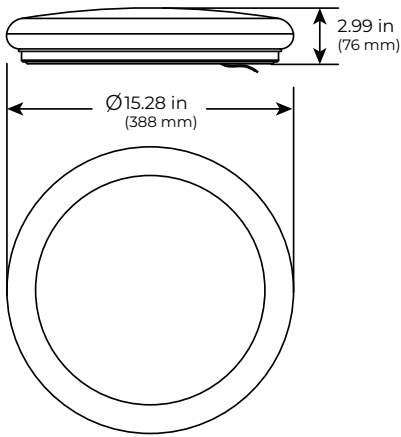
Catalog Part Number	Order Number	Description	Details
EMA25FY-170 ¹	70112202-2	Square Emergency LED Driver BBU 25W, IP rated, 90 min	 <p>BBUs certified in CA Title 20 MAEDBS. Search: EMA25FY-170 SPEC SHEET DOWNLOAD (located on ETISSL.com)</p>

Notes: 1. Compatible with FM-12-10-902-MV-D-B and FM-16-16-902-MV-D-B ONLY. These models are also compatible with EMUFO-40170-YY (70114401)

5" Universal Round Utility Light WITH PIR OCCUPANCY SENSOR

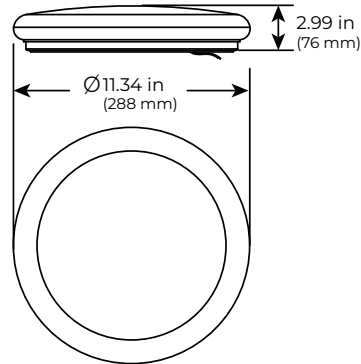
DIMENSIONS / DETAILS

16" Model



Unit Weight
2.08 lbs.

12" Model



Unit Weight
1.25 lbs.

Included Mounting Hardware:



Factory Setting
3000K

PERFORMANCE / DATA

Load Information

Power Factor	.90
THD	< 20%
Frequency	60 Hz
Low Temp Start / Max Temp	-20° C (-4° F) / 45° C (113° F)

Lumen Maintenance

16" Model

Ambient Temp.	TM-21 Lumen Maintenance (54,000 hours)
25° C (77° F)	> 90%
Ambient Temp.	TM-21 Theoretical L70 (hours)
25° C (77° F)	> 170,000

12" Model

Ambient Temp.	TM-21 Lumen Maintenance (54,000 hours)
25° C (77° F)	87.80%
Ambient Temp.	TM-21 Theoretical L70 (hours)
25° C (77° F)	> 140,000

PHOTOMETRY

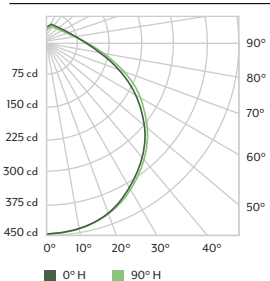


Luminaire Data: 16" Model, 4000K

CCT & CRI	4000K, 80+ CRI
Delivered Lumens	1119
Wattage	9.5W
Efficacy	118
Beam Angle	50%=129° 10%=90°
Spacing	0° = 1.3 90° = 1.32

Photometric values based on tests performed in compliance with LM-63 & LM-79

Candela Plot



129°

Beam Angle

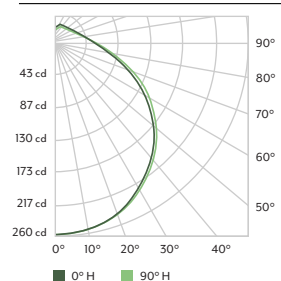


Luminaire Data: 12" Model, 4000K

CCT & CRI	4000K, 80+ CRI
Delivered Lumens	1722
Wattage	14.8W
Efficacy	117
Beam Angle	50%=122° 10%=89°
Spacing	0° = 1.28 90° = 1.28

Photometric values based on tests performed in compliance with LM-63 & LM-79

Candela Plot



122°

Beam Angle