

GBFM | GATSBY SERIES FLUSH MOUNTS

3 CCT COLOR PREFERENCE®

KEY FEATURES

- Luminaire uses ETI's patented Color Preference® with 3 Selectable CCTs Standard (3000K, 4000K, 5000K)
- 80+ CRI
- TRIAC Dimming (120V)

SPECIFICATIONS

Construction

- Steel Backplate with Plastic Housing
- Black Finish with Brushed Nickel Trim or White Finish with Gold Trim options available
- Removable Lens

Optics

- Frosted, polymer diffuser lens for zero pixelation and overall visual comfort
- Uniform, even light distribution
- Backlit technology

Installation

- Field select CCT using integral switch behind the lens prior to installation. Ships at lowest Color Temperature.
- Mounting Kit Included
- Keyhole for direct J-box install

Electrical

- > 50,000 hour LEDs at L70 for reduced maintenance
- Operates at 120V, 60Hz
- TRIAC dimming, down to 10%* (120V)
- Operating Temperature: -4°F to 104°F (-20°C to 40°C)
- ETI's patented selectable CCT COLOR PREFERENCE® allows for easy field-adjustable color temperature selection with switch located inside fixture.

* Always consult dimmer manufacturer for proper use, installation and compatibility (some dimmers may require a neutral in the wall box).

Warranty

5-Year Standard Warranty. See terms at: [ETISSL.com/warranty/](https://www.ETISSL.com/warranty/)

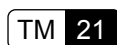
KEY DATA	
LUMEN RANGE	1810 – 2068
WATTAGE RANGE	21.4 – 24.1
EFFICACY RANGE (LPW)	80 – 93
REPORTED LIFE (HOURS)	L70 / > 50,000

DATE:	PROJECT:
TYPE:	NOTES:
CATALOG #:	

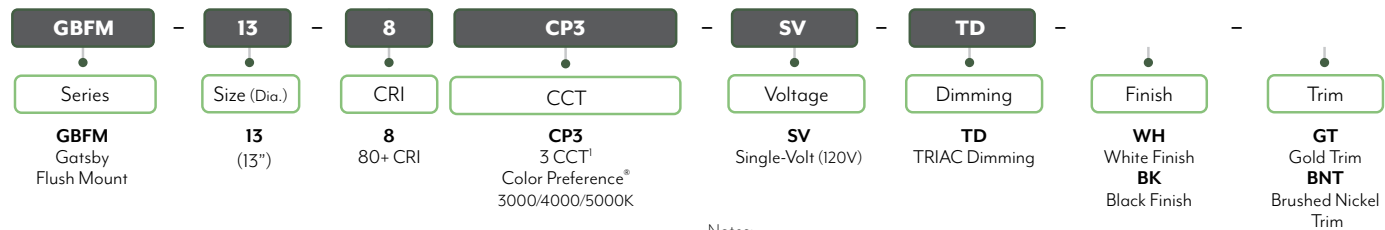


Certifications & Test Data

- All luminaires are ETL Listed (US, C) for Damp Location
- Adheres to LM63, LM79, LM80 and TM21 industry standards for photometric, lumen maintenance and lifetime calculations
- Suitable for use in closets when installed in accordance to NEC Section 410.16 (A)(1) and 410.16 (C)(1)



CATALOG LOGIC



Notes:

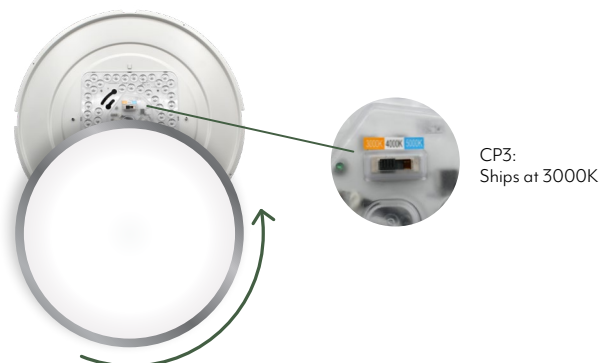
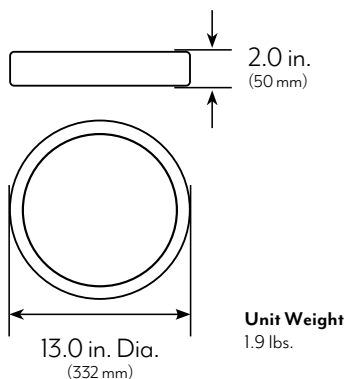
1. Ships at 3000K CCT. Installing contractor responsible for ensuring desired CCT selected during installation.

STOCK ORDERING INFORMATION

CATALOG PART NUMBER	ORDER NUMBER	DESCRIPTION	CASE QTY	CRI	CCT	WATTS (NOM.)	LUMEN PKG. ¹	DELIVERED LUMENS	LPW	VOLTAGE	DIM
GBFM-13-8CP3-SV-TD-WH-GT	C01173402A	13" Gatsby Flush Mount, White Finish with Gold Trim	2	80+	3000K	22	1800	1913	81	120V	TRIAC
					4000K	22	1800	2068	87		
					5000K	22	1800	1958	81		
GBFM-13-8CP3-SV-TD-BL-BNT	C01173403A	13" Gatsby Flush Mount, Black Finish with Brushed Nickel Trim	2	80+	3000K	22	1800	1810	85	120V	TRIAC
					4000K	22	1800	2001	94		
					5000K	22	1800	1892	88		

Notes: 1. For more delivered lumens and test data see pages 3, or visit ETISSL.com

DIMENSIONS / DETAILS



Easy access to color temperature select switch underneath the twist-off lens

MOUNTING

Mounting screws and wire connectors included.



PERFORMANCE / Data

Lumen Maintenance

Ambient Temp.	TM-21 Lumen Maintenance (54,000 hours)
25° C (77° F)	> 87.15%
Ambient Temp.	TM-21 Theoretical L70 (hours)
25° C (77° F)	> 50,000

Load Information

Power Factor	> 0.90
THD	< 20%
Frequency	60 Hz
Low Temp Start / Max Temp	-4°F to 104°F (-20°C to 40°C)

DIMMER COMPATIBILITY LIST

DIMMER BRAND	DIMMER MODEL
TRIAC DIMMERS	
LUTRON	LECL-153
LUTRON	SCL-153P
LUTRON	NTCL-250
LUTRON	GT-150
LEVITON	DSL06-ILZ
LEVITON	REL06
LEVITON	TSL06
LEVITON	RDL06
COOPER	9540
COOPER	9573
COOPER	DLC03P
COOPER	SUT7
COOPER	TAL06P2

* Always consult dimmer manufacturer for proper use, installation and compatibility (some dimmers may require a neutral in the wall box).

PHOTOMETRIC SAMPLES

WHITE

Luminaire Data:

CCT & CRI	4000K, 80+ CRI
DELIVERED LUMENS	2068
WATTAGE	23.9W
EFFICACY	87
SPACING	0° = 1.29 90° = 1.26

Photometric values based on tests performed in compliance with LM-63 & LM-79

Candela Plot

■ 0° H ■ 90° H

113°
Beam Angle

BLACK

Luminaire Data:

CCT & CRI	4000K, 80+ CRI
DELIVERED LUMENS	2001
WATTAGE	21.4W
EFFICACY	94
SPACING	0° = 1.38 90° = 1.28

Photometric values based on tests performed in compliance with LM-63 & LM-79

Candela Plot

■ 0° H ■ 90° H

125°
Beam Angle