

## KOFM | KOA SERIES FLUSH MOUNTS

### 3 CCT COLOR PREFERENCE®

#### KEY FEATURES

- Luminaire uses ETI's patented Color Preference® with 5 Selectable CCTs Standard (2700K, 3000K, 3500K, 4000K, 5000K), plus NightLightR™, 2000K night light feature
- 80+ CRI
- TRIAC Dimming (120V)

#### SPECIFICATIONS

##### Construction

- Steel Housing with Matte Black Finish and Oak Accent
- Drum-Shaped and Tapered Styles Available
- Removable Wood Panel

##### Optics

- Polymer diffuser lens for zero pixelation and overall visual comfort
- Uniform, even light distribution
- Backlit technology

##### Installation

- Field select CCT using integral switch behind the wood panel prior to installation Ships at lowest Color Temperature.
- Mounting Kit Included
- Keyhole for direct J-box install

##### Electrical

- > 50,000 hour LEDs at L70 for reduced maintenance
- Operates at 120V, 60Hz
- TRIAC dimming, down to 10%\* (120V)
- Operating Temperature: -4°F to 104°F (-20°C to 40°C)
- ETI's patented selectable CCT COLOR PREFERENCE® allows for easy field-adjustable color temperature selection with switch located inside fixture.

\* Always consult dimmer manufacturer for proper use, installation and compatibility (some dimmers may require a neutral in the wall box).

##### Warranty

5-Year Standard Warranty. See terms at: [ETISSL.com/warranty/](https://ETISSL.com/warranty/)

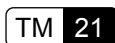
KEY DATA	
LUMEN RANGE	1265 – 1630
WATTAGE RANGE	18.3 – 19.9
EFFICACY RANGE (LPW)	67 – 82
REPORTED LIFE (HOURS)	L70 / > 50,000

DATE:	PROJECT:
TYPE:	NOTES:
CATALOG #:	

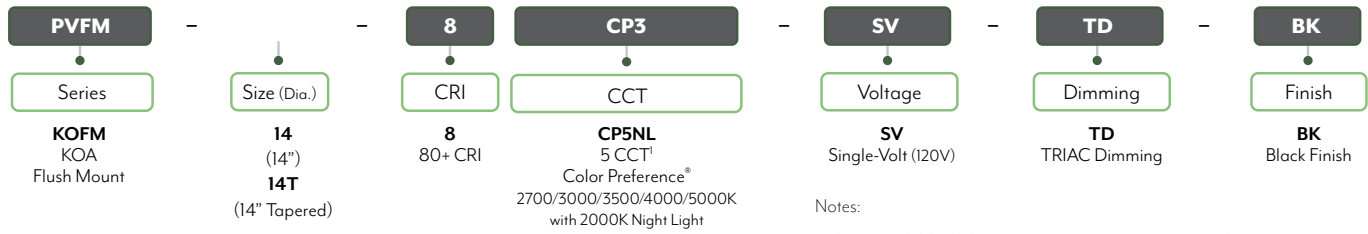


#### Certifications & Test Data

- All luminaires are ETL Listed (US, C) for Damp Location
- Adheres to LM63, LM79, LM80 and TM21 industry standards for photometric, lumen maintenance and lifetime calculations
- Suitable for use in closets when installed in accordance to NEC Section 410.16 (A)(1) and 410.16 (C)(1)



CATALOG LOGIC

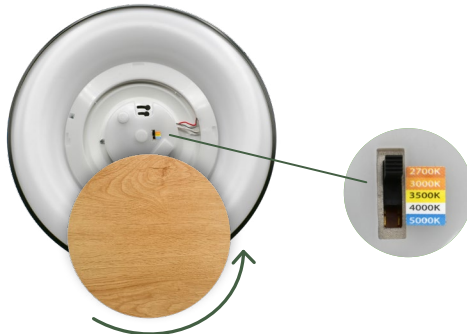
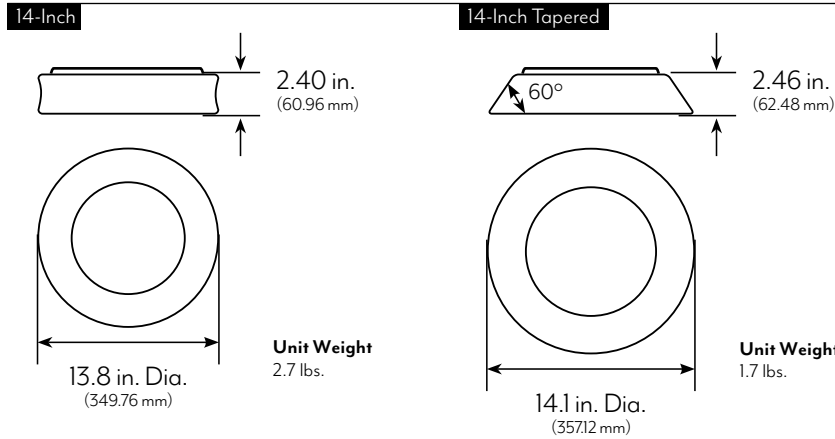


STOCK ORDERING INFORMATION

CATALOG PART NUMBER	ORDER NUMBER	DESCRIPTION	CASE QTY	CRI	CCT	WATTS (NOM.)	LUMEN PKG.	DELIVERED LUMENS	LPW	VOLTAGE	DIM
KOFM-14-8CP5NL-SV-TD-BL	C01176301A	14" KOA Flush Mount, Drum Style	2	80+	2700K	20	1400	1498	77	120V	TRIAC
					3000K	20	1400	1607	81		
					3500K	20	1400	1630	82		
					4000K	20	1400	1567	82		
					5000K	20	1400	1549	81		
KOFM-14T-8CP5NL-SV-TD-BL	C01177301A	14" KOA Flush Mount, Tapered Style	2	80+	2700K	20	1400	1268	67	120V	TRIAC
					3000K	20	1400	1359	70		
					3500K	20	1400	1357	70		
					4000K	20	1400	1307	70		
					5000K	20	1400	1265	69		

Notes: 1. For more delivered lumens and test data see pages 3, or visit ETISSL.com

DIMENSIONS / DETAILS



Easy access to color temperature select switch underneath the twist-off wooden panel.

CP3:  
Ships at 3000K

MOUNTING

Mounting screws and wire connectors included.



**PERFORMANCE / Data**

**Lumen Maintenance**

Ambient Temp.	TM-21 Lumen Maintenance (54,000 hours)
25° C (77° F)	89.06%
Ambient Temp.	TM-21 Theoretical L70 (hours)
25° C (77° F)	> 50,000

**Load Information**

<b>Power Factor</b>	> 0.90
<b>THD</b>	< 20%
<b>Frequency</b>	60 Hz
<b>Low Temp Start / Max Temp</b>	-4°F to 104°F (-20°C to 40°C)

**DIMMER COMPATIBILITY LIST**

DIMMER BRAND	DIMMER MODEL
<b>TRIAC DIMMERS</b>	
Lutron	LECL-153
Lutron	SCL-153P
Lutron	NTCL-250
Lutron	GT-150
Leviton	DSL06-1LZ
Leviton	RELO6
Leviton	TSL06
Leviton	RDLO6
Cooper	9540
Cooper	9573
Cooper	DLC03P
Cooper	SUT7
Cooper	TAL06P2

**PHOTOMETRIC SAMPLES**

141N

**Luminaire Data:**

CCT & CRI	<b>4000K, 80+ CRI</b>
DELIVERED LUMENS	<b>1307</b>
WATTAGE	<b>19.2W</b>
EFFICACY	<b>82</b>
SPACING	<b>0° = 1.28 90° = 1.26</b>

Photometric values based on tests performed in compliance with LM-63 & LM-79

**Candela Plot**

■ 0° H ■ 90° H

**117°**  
Beam Angle

141N TAPERED

**Luminaire Data:**

CCT & CRI	<b>4000K, 80+ CRI</b>
DELIVERED LUMENS	<b>1567</b>
WATTAGE	<b>18.6W</b>
EFFICACY	<b>70</b>
SPACING	<b>0° = 1.30 90° = 1.26</b>

Photometric values based on tests performed in compliance with LM-63 & LM-79

**Candela Plot**

■ 0° H ■ 90° H

**118°**  
Beam Angle