

## MWFM | MIDWEST SERIES FLUSH MOUNTS

### 3 CCT COLOR PREFERENCE®

#### KEY FEATURES

- Luminaire uses ETI's patented Color Preference® with 3 Selectable CCTs Standard (3000K, 4000K, 5000K)
- 80+ CRI
- TRIAC Dimming (120V)

#### SPECIFICATIONS

##### Construction

- Steel Back with Plastic Housing
- Matte White Finish
- Removable Lens

##### Optics

- Frosted, polymer diffuser lens for zero pixelation and overall visual comfort
- Uniform, even light distribution
- Backlit technology

##### Installation

- Field select CCT using integral switch behind the lens prior to installation. Ships at lowest Color Temperature.
- Mounting Kit Included
- Keyhole for direct J-box install

##### Electrical

- > 50,000 hour LEDs at L70 for reduced maintenance
- Operates at 120V, 60Hz
- TRIAC dimming, down to 10%\* (120V)
- Operating Temperature: -4°F to 104°F (-20°C to 40°C)
- ETI's patented selectable CCT COLOR PREFERENCE® allows for easy field-adjustable color temperature selection with switch located inside fixture.

\* Always consult dimmer manufacturer for proper use, installation and compatibility (some dimmers may require a neutral in the wall box).

##### Warranty

5-Year Standard Warranty. See terms at: [ETISSL.com/warranty/](https://www.ETISSL.com/warranty/)

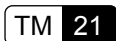
DATE:	PROJECT:
TYPE:	NOTES:
CATALOG #:	



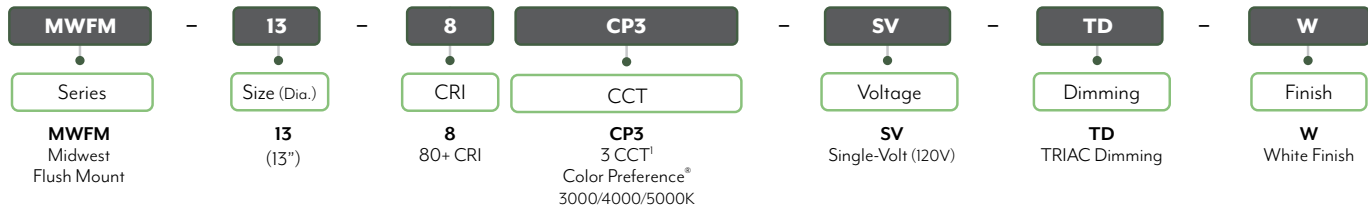
KEY DATA	
LUMEN RANGE	1749 – 1909
WATTAGE RANGE	21.5 – 21.7
EFFICACY RANGE (LPW)	81 – 88
REPORTED LIFE (HOURS)	L70 / > 50,000

#### Certifications & Test Data

- All luminaires are ETL Listed (US, C) for Damp Location
- Adheres to LM63, LM79, LM80 and TM21 industry standards for photometric, lumen maintenance and lifetime calculations
- Suitable for use in closets when installed in accordance to NEC Section 410.16 (A)(1) and 410.16 (C)(1)



**CATALOG LOGIC**



Notes:

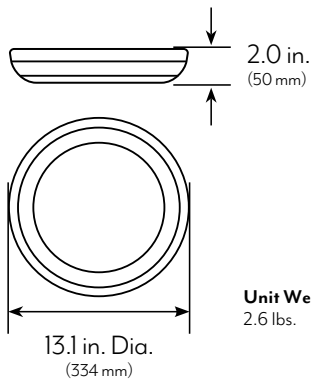
1. Ships at 3000K CCT. Installing contractor responsible for ensuring desired CCT selected during installation.

**STOCK ORDERING INFORMATION**

CATALOG PART NUMBER	ORDER NUMBER	DESCRIPTION	CASE QTY	CRI	CCT	WATTS (NOM.)	LUMEN PKG. <sup>1</sup>	DELIVERED LUMENS	LPW	VOLTAGE	DIM
MWFM-13-8CP3-SV-TD-W	C01183401A	13" Midwest Flush Mount, Matte White Finish	2	80+	3000K	22	1800	1749	81	120V	TRIAC
					4000K	22	1800	1909	88		
					5000K	22	1800	1778	82		

Notes: 1. For more delivered lumens and test data see pages 3, or visit ETISSL.com

**DIMENSIONS / DETAILS**



**Unit Weight**  
2.6 lbs.



Easy access to color temperature select switch underneath the twist-off lens

CP3:  
Ships at 3000K

**MOUNTING**

Mounting screws and wire connectors included.



**PERFORMANCE / Data**

**Lumen Maintenance**

Ambient Temp.	TM-21 Lumen Maintenance (54,000 hours)
25° C (77° F)	87.15%
Ambient Temp.	TM-21 Theoretical L70 (hours)
25° C (77° F)	> 50,000

**Load Information**

<b>Power Factor</b>	> 0.90
<b>THD</b>	< 20%
<b>Frequency</b>	60 Hz
<b>Low Temp Start / Max Temp</b>	-4°F to 104°F (-20°C to 40°C)

**DIMMER COMPATIBILITY LIST**

DIMMER BRAND	DIMMER MODEL
<b>TRIAC DIMMERS</b>	
LUTRON	LECL-I53
LUTRON	SCL-I53P
LUTRON	NTCL-250
LUTRON	GT-150
LEVITON	DSL06-ILZ
LEVITON	TSL06
LEVITON	RDL06
COOPER	SUT7
COOPER	TAL06P2

\* Always consult dimmer manufacturer for proper use, installation and compatibility (some dimmers may require a neutral in the wall box).

**PHOTOMETRIC SAMPLE**

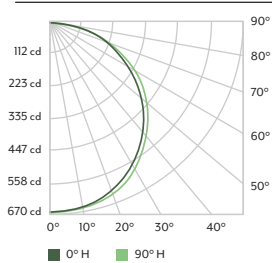


**Luminaire Data:**

CCT & CRI	4000K, 80+ CRI
DELIVERED LUMENS	1909
WATTAGE	21.6W
EFFICACY	88
SPACING	0° = 1.28 90° = 1.26

Photometric values based on tests performed in compliance with LM-65 & LM-79

**Candela Plot**



112°  
Beam Angle